



Chipsmall Limited consists of a professional team with an average of over 10 year of expertise in the distribution of electronic components. Based in Hongkong, we have already established firm and mutual-benefit business relationships with customers from,Europe,America and south Asia,supplying obsolete and hard-to-find components to meet their specific needs.

With the principle of “Quality Parts,Customers Priority,Honest Operation,and Considerate Service”,our business mainly focus on the distribution of electronic components. Line cards we deal with include Microchip,ALPS,ROHM,Xilinx,Pulse,ON,Everlight and Freescale. Main products comprise IC,Modules,Potentiometer,IC Socket,Relay,Connector.Our parts cover such applications as commercial,industrial, and automotives areas.

We are looking forward to setting up business relationship with you and hope to provide you with the best service and solution. Let us make a better world for our industry!



Contact us

Tel: +86-755-8981 8866 Fax: +86-755-8427 6832

Email & Skype: info@chipsmall.com Web: www.chipsmall.com

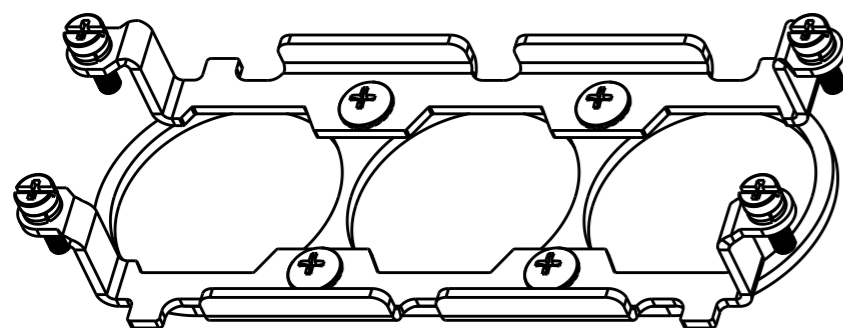
Address: A1208, Overseas Decoration Building, #122 Zhenhua RD., Futian, Shenzhen, China



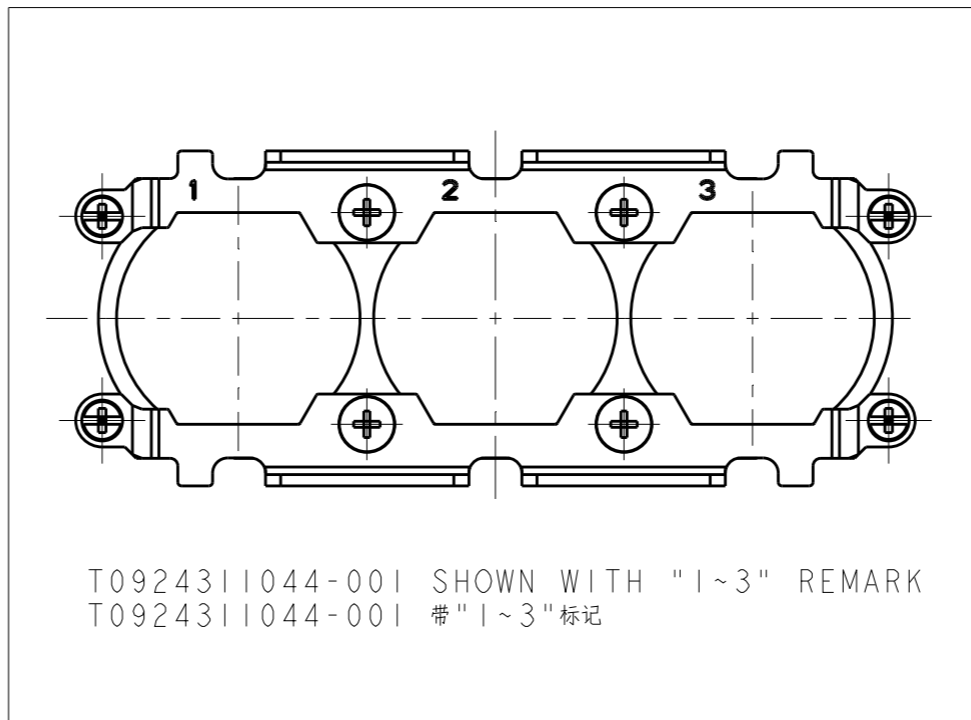
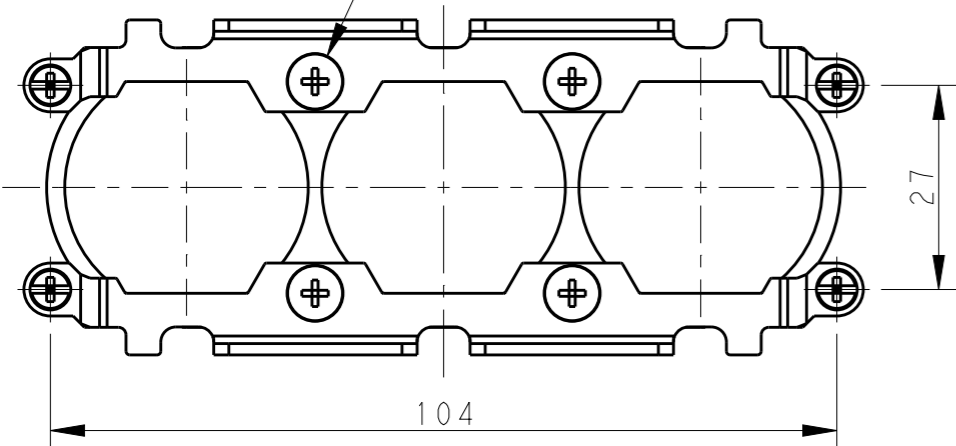
THIS DRAWING IS UNPUBLISHED. RELEASED FOR PUBLICATION 20
© COPYRIGHT 20 BY - ALL RIGHTS RESERVED.

REVISIONS

P	LTR	DESCRIPTION	DATE	DWN	APVD
	A	INITIAL	13MAR2016	RL	CW
	A1	ECR-17-005890	27APR2017	RL	CW



4X M4 SCREW
RECOMMENDED TIGHTENING
TORQUE 1.5Nm
4X M4 螺丝, 推荐扭力矩为 1.5Nm



NOTES:

1. TECHNICAL CHARACTERISTICS:
FRAME MATERIAL: STAINLESS STEEL
NUMBER OF MODULES: 3

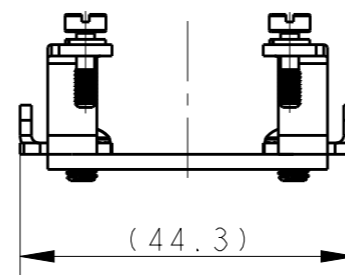
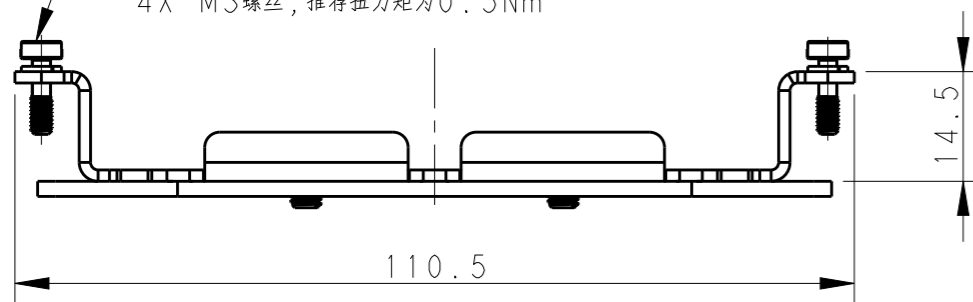
2. FOR T0924311044-000:
STICKER TO MARK THE CONTACTS
AND PE CONTACTS ON THE FRAME
Acc. to DIN EN61984, 6.2.3

注释:

1. 技术参数:
框架材料: 不锈钢
模块数量: 3

2. 对于T0924311044-000:
根据DIN EN61984, 6.2.3,
用不干胶的标签在框架上做端子和接地端子的位置标识

4X M3 SCREW
RECOMMENDED TIGHTENING
TORQUE 0.5Nm
4X M3螺丝, 推荐扭力矩为0.5Nm



T0924311044-000	H24BPR-3P-350-FRAME H24BPR-3P-350 框架
T0924311044-001	H24BPR-3P-350-FRAME, WITH REMARK H24BPR-3P-350 框架, 带标记
PART NUMBER 料号	PART DESCRIPTION 描述

THIS DRAWING IS A CONTROLLED DOCUMENT.

DIMENSIONS:	TOLERANCES UNLESS OTHERWISE SPECIFIED:
mm	
	0 PLC ±-
	1 PLC ±-
	2 PLC ±-
	3 PLC ±-
	4 PLC ±-
	ANGLES ±-
MATERIAL	FINISH
-	-
-	-

DWN	13MAR2016
ROY LIU	
CHK	13MAR2016
KYLE ZENG	
APVD	13MAR2016
CHRIS WANG	
PRODUCT SPEC	-
APPLICATION SPEC	-
WEIGHT	-
CUSTOMER DRAWING	

TE Connectivity			
NAME H24BPR-3P-350-FRAME			
SIZE	CAGE CODE	DRAWING NO	RESTRICTED TO
A3	00779	©-T0924311044000	-
SCALE		SHEET	REV
1:1		1 OF 1	A1