



Chipsmall Limited consists of a professional team with an average of over 10 year of expertise in the distribution of electronic components. Based in Hongkong, we have already established firm and mutual-benefit business relationships with customers from,Europe,America and south Asia,supplying obsolete and hard-to-find components to meet their specific needs.

With the principle of “Quality Parts,Customers Priority,Honest Operation,and Considerate Service”,our business mainly focus on the distribution of electronic components. Line cards we deal with include Microchip,ALPS,ROHM,Xilinx,Pulse,ON,Everlight and Freescale. Main products comprise IC,Modules,Potentiometer,IC Socket,Relay,Connector.Our parts cover such applications as commercial,industrial, and automotives areas.

We are looking forward to setting up business relationship with you and hope to provide you with the best service and solution. Let us make a better world for our industry!



Contact us

Tel: +86-755-8981 8866 Fax: +86-755-8427 6832

Email & Skype: info@chipsmall.com Web: www.chipsmall.com

Address: A1208, Overseas Decoration Building, #122 Zhenhua RD., Futian, Shenzhen, China



PRODUCT SPECIFICATION



Product Name	1008 WIRE WOUND CERAMIC CHIP INDUCTORS	Page	1
TAMURA Part No.	T1008-XXX	Rev. No.	0

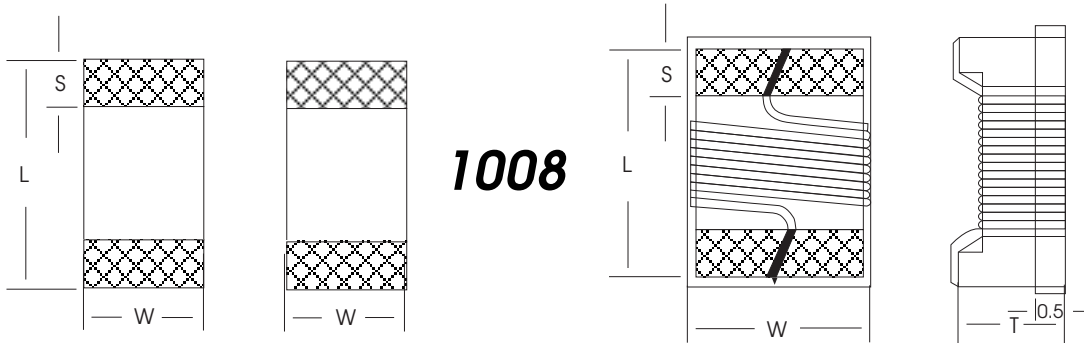
Features:

- Small and lightweight.
- Wide inductance range, 4.7nH to 820nH.
- Excellent solderability and resistance to soldering heat, suitable for flow and reflow soldering.
- Minimum dimensions, high reliability and high speed surface mount assembly.

Application:

1. Prevention of electromagnetic interference to signals on the secondary side of electric equipment
2. Telecommunication products, mobile phone, pagers, cellular phone, computers. Modems, OA products, TVs, VCRs. etc.

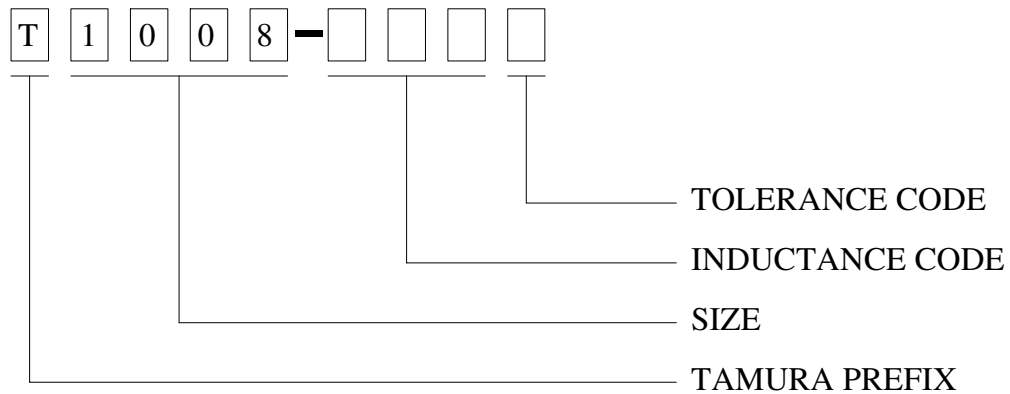
1. CONFIGURATION & DIMENSIONS :



Size Code		L ± 0.2	W ± 0.2	T ± 0.2	S ± 0.2
Japan	USA/Europe				
2520	1008	2.70	2.50	2.05	0.50

All dimensions in mm

2. Part No. FORMAT :

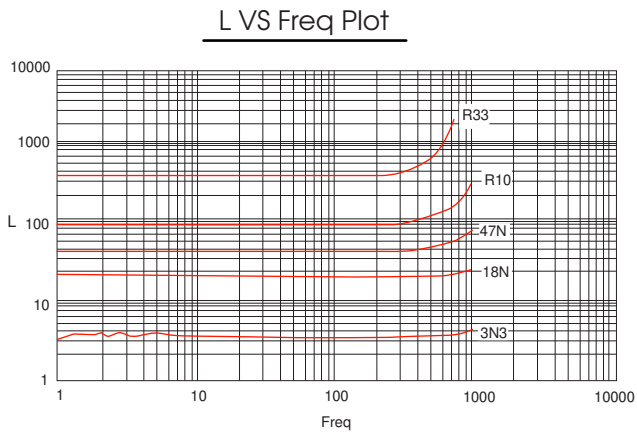
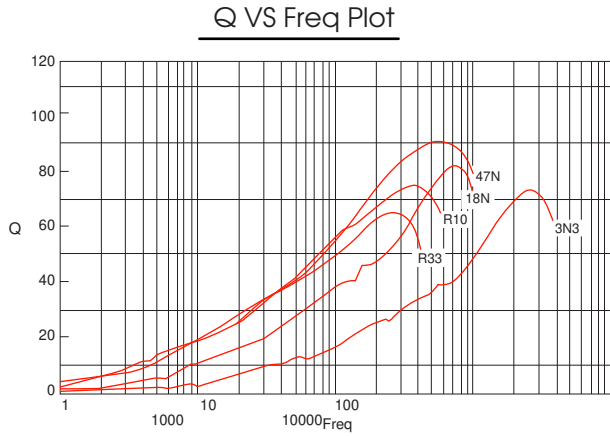


Tolerance Code: J=± 5%, G= ± 2%

PRODUCT SPECIFICATION



Product Name	1008 WIRE WOUND CERAMIC CHIP INDUCTORS	Page	2
TAMURA Part No.	T1008-XXX	Rev. No.	0



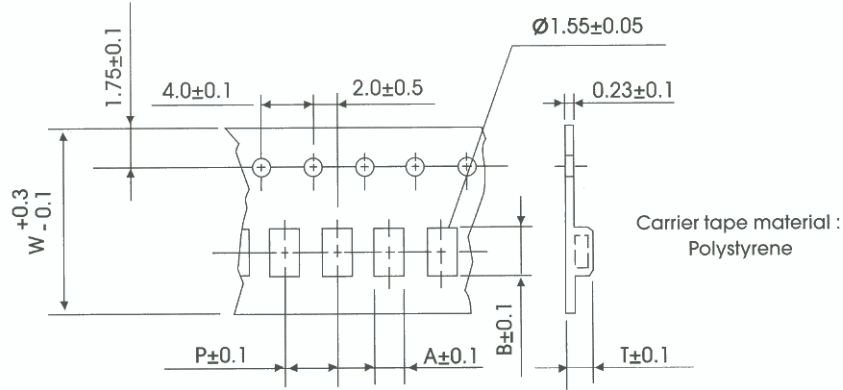
PART No.	Inductance (nH)	Q Min	RDC Max (Ohms)	I DC Max (mA)	SRF Min (MHz)
T1008 - 4N7	4.7@ 50MHz	40@ 1000MHz	0.15	1000	4100
T1008 - 10N	10@ 50MHz	50@ 500MHz	0.08	1000	4100
T1008 - 12N	12@ 50MHz	50@ 500MHz	0.09	1000	3300
T1008 - 15N	15@ 50MHz	45@ 500MHz	0.13	1000	2500
T1008 - 18N	18@ 50MHz	50@ 350MHz	0.11	1000	2500
T1008 - 22N	22@ 50MHz	55@ 350MHz	0.12	1000	2400
T1008 - 27N	27@ 50MHz	45@ 350MHz	0.13	1000	1600
T1008 - 33N	33@ 50MHz	55@ 350MHz	0.14	1000	1600
T1008 - 39N	39@ 50MHz	60@ 350MHz	0.15	1000	1500
T1008 - 47N	47@ 50MHz	55@ 350MHz	0.16	1000	1500
T1008 - 56N	56@ 50MHz	60@ 350MHz	0.18	1000	1300
T1008 - 68N	68@ 50MHz	60@ 350MHz	0.20	1000	1300
T1008 - 82N	82@ 50MHz	55@ 350MHz	0.22	1000	1000
T1008 - R10	100@ 25MHz	60@ 350MHz	0.24	650	1000
T1008 - R12	120@ 25MHz	55@ 350MHz	0.28	650	950
T1008 - R15	150@ 25MHz	45@ 100MHz	0.30	580	850
T1008 - R18	180@ 25MHz	40@ 100MHz	0.32	620	750
T1008 - R22	220@ 25MHz	45@ 100MHz	0.36	500	700
T1008 - R27	270@ 25MHz	40@ 100MHz	0.40	500	600
T1008 - R33	330@ 25MHz	40@ 100MHz	0.45	450	570
T1008 - R39	390@ 25MHz	40@ 100MHz	0.79	470	500
T1008 - R47	470@ 25MHz	40@ 100MHz	0.88	470	450
T1008 - R56	560@ 25MHz	40@ 100MHz	1.33	400	415
T1008 - R62	620@ 25MHz	40@ 100MHz	1.41	300	375
T1008 - R68	680@ 25MHz	40@ 100MHz	1.47	400	375
T1008 - R75	750@ 25MHz	40@ 100MHz	1.54	360	360
T1008 - R82	820@ 25MHz	40@ 100MHz	1.61	400	350
T1008 - R91	910@ 25MHz	35@ 50MHz	1.68	380	320
T1008 - 1R0	1000@ 25MHz	35@ 50MHz	1.98	370	290
T1008 - 1R2	1200@ 7.9MHz	30@ 50MHz	2.18	310	250
T1008 - 1R5	1500@ 7.9MHz	25@ 50MHz	2.30	330	200
T1008 - 1R8	1800@ 7.9MHz	22@ 50MHz	2.60	300	160
T1008 - 2R7	2700@ 7.9MHz	22@ 25MHz	3.55	290	140
T1008 - 3R9	3900@ 7.9MHz	20@ 25MHz	5.26	260	100
T1008 - 4R7	4700@ 7.9MHz	20@ 25MHz	5.79	260	90
T1008 - 5R6	5600@ 7.9MHz	20@ 7.9MHz	8.38	240	20
T1008 - 6R8	6800@ 7.9MHz	20@ 7.9MHz	9.20	200	40
T1008 - 8R2	8200@ 7.9MHz	20@ 7.9MHz	14.2	170	25

PRODUCT SPECIFICATION



Product Name	1008 WIRE WOUND CERAMIC CHIP INDUCTORS	Page	3
TAMURA Part No.	T1008-XXX	Rev. No.	0

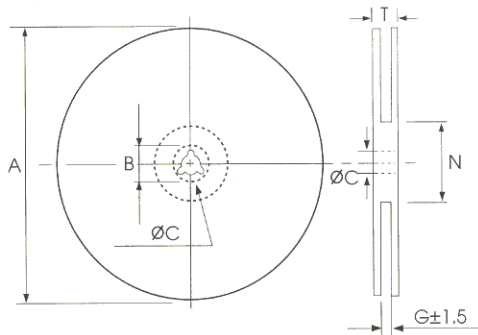
3. PACKAGING INFORMATION :



Package Size	A	B	W	P	T	Carrier Material	Tape/Cover Material	Qty. Units / reel	# Reels /Carton	Carton Size (LxWxH)
0402	0.65	1.15	8	2	N/A	plastic	plastic	10,000	36	400*265*238
0603	1.08	1.88	8	4	N/A	plastic	plastic	3000	36	400*265*238
0805	1.50	2.30	8	4	0.3	plastic	plastic	3000	36	400*265*238
1008	N/A	N/A	8	4	0.3	plastic	plastic	2000	36	400*265*238
1210	1.88	3.50	8	4	0.3	plastic	plastic	2000	50	390*215*390
1812	N/A	N/A	12	8	0.3	plastic	plastic	500	40	390*215*390

Dimensions in mm

REEL DIMENSIONS
Material: Paper, Plastic



TYPE	8mm	12mm
A	178 ± 2	178 ± 2
B	21.0 ± 0.8	21.0 ± 0.8
C	13.0 ± 0.8	13.0 ± 0.8
G	10.0	14.0
N	75	75
T	12.5	16.5

