



Chipsmall Limited consists of a professional team with an average of over 10 year of expertise in the distribution of electronic components. Based in Hongkong, we have already established firm and mutual-benefit business relationships with customers from,Europe,America and south Asia,supplying obsolete and hard-to-find components to meet their specific needs.

With the principle of “Quality Parts,Customers Priority,Honest Operation,and Considerate Service”,our business mainly focus on the distribution of electronic components. Line cards we deal with include Microchip,ALPS,ROHM,Xilinx,Pulse,ON,Everlight and Freescale. Main products comprise IC,Modules,Potentiometer,IC Socket,Relay,Connector.Our parts cover such applications as commercial,industrial, and automotives areas.

We are looking forward to setting up business relationship with you and hope to provide you with the best service and solution. Let us make a better world for our industry!



Contact us

Tel: +86-755-8981 8866 Fax: +86-755-8427 6832

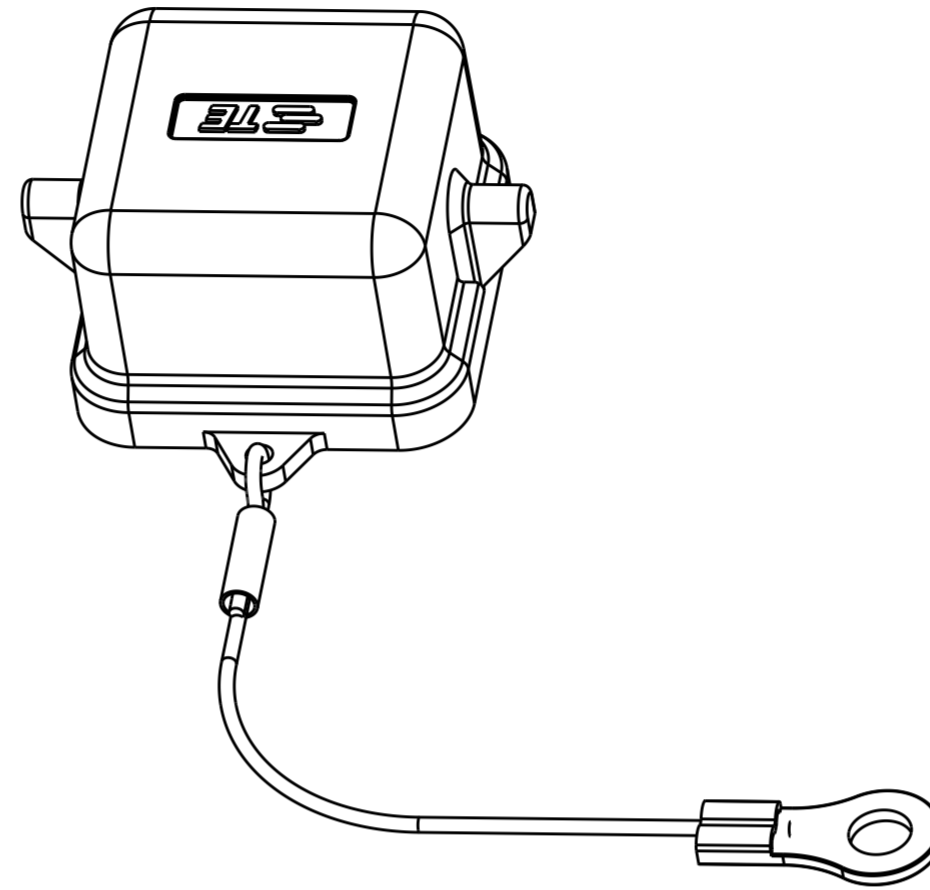
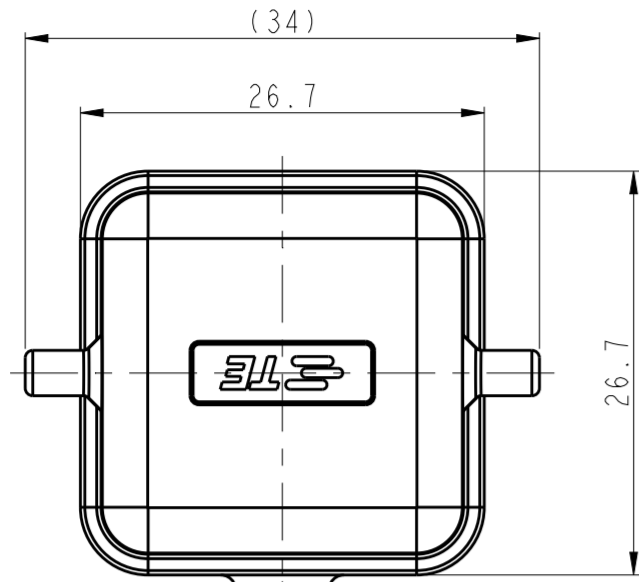
Email & Skype: info@chipsmall.com Web: www.chipsmall.com

Address: A1208, Overseas Decoration Building, #122 Zhenhua RD., Futian, Shenzhen, China



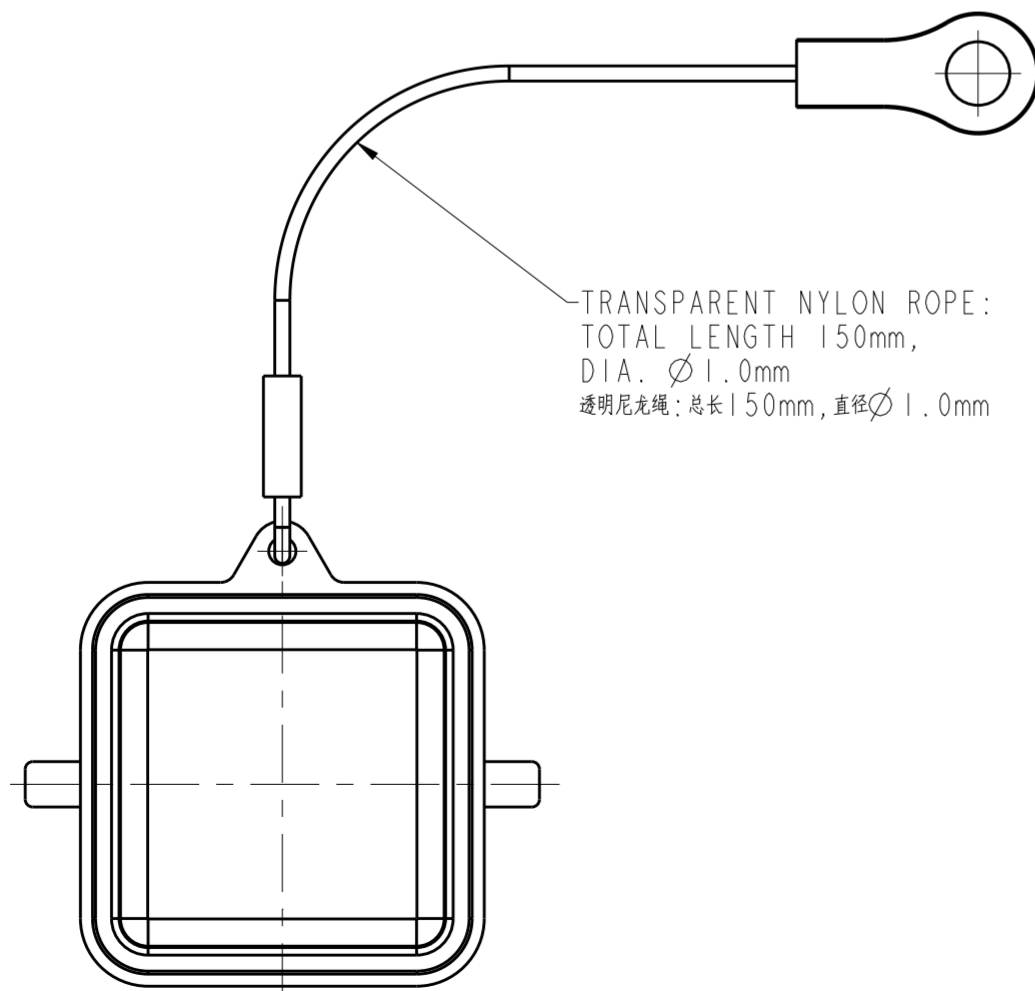
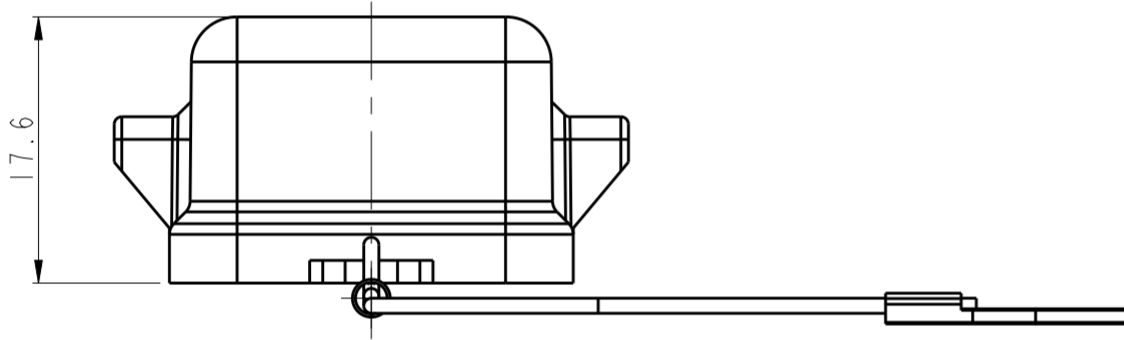
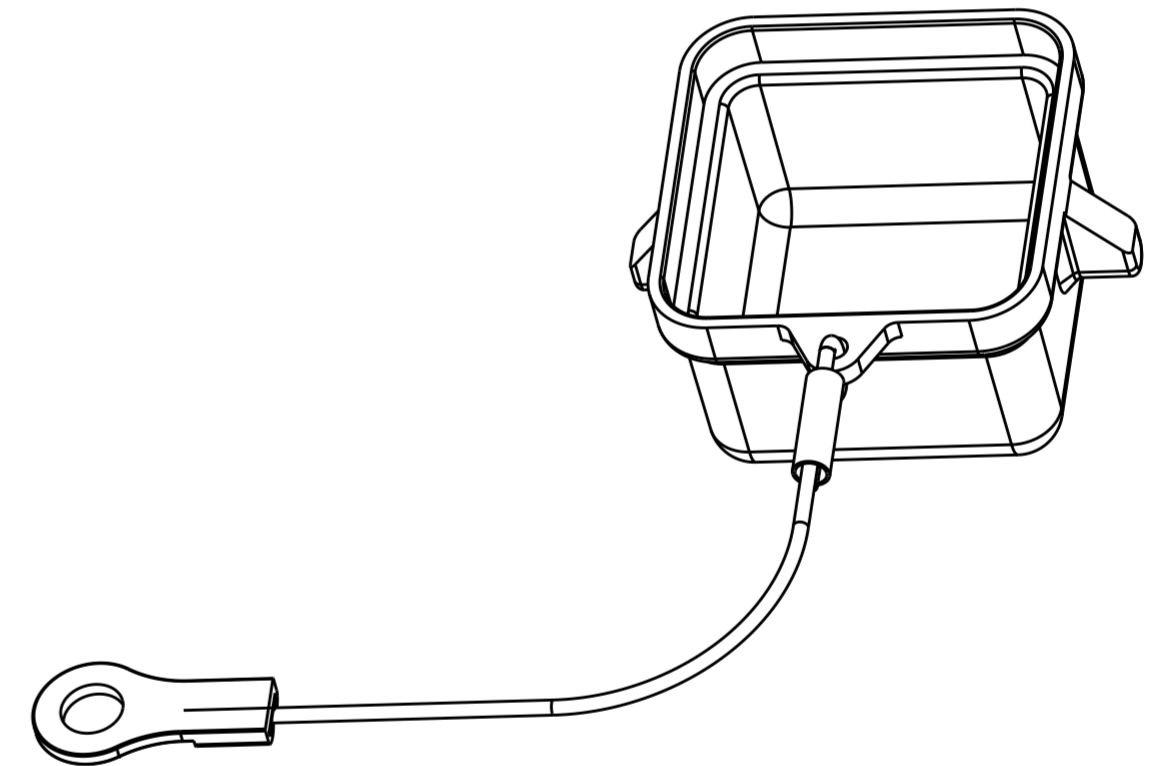
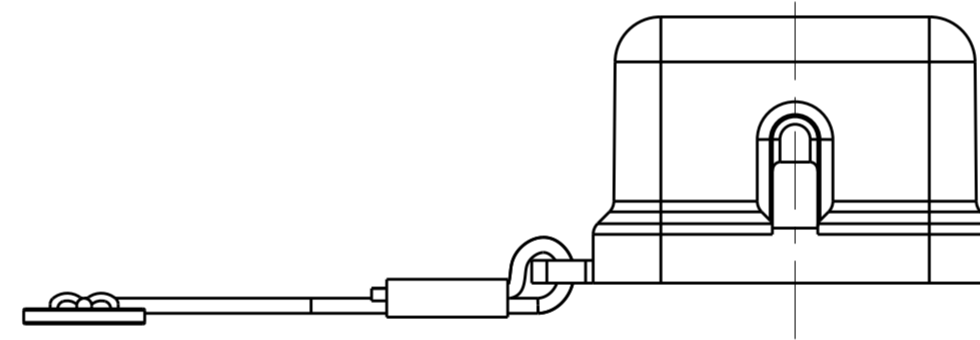
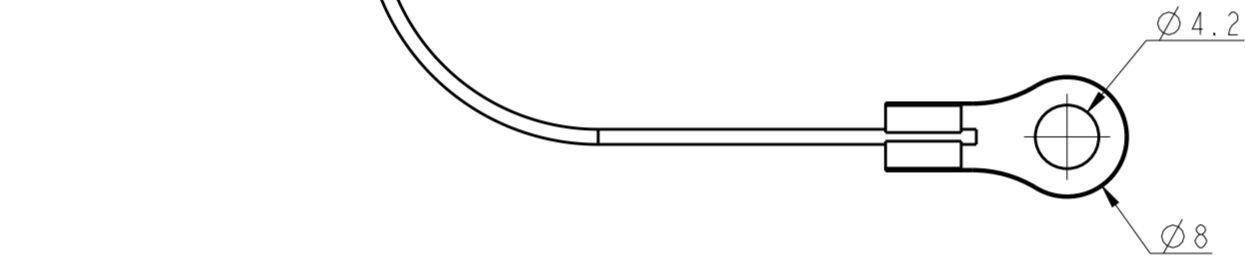
THIS DRAWING IS UNPUBLISHED. RELEASED FOR PUBLICATION
 © COPYRIGHT copyright dbte. ALL RIGHTS RESERVED.

REVISIONS				
P	LTR	DESCRIPTION	DATE	APVD
	A	INITIAL	11 JUL 2017	CH CW



NOTES:
 1. TECHNICAL CHARACTERISTICS:
 COVER MATERIAL: PC, COLOR SEE TABLE

注释:
 1. 技术参数:
 保护盖材质: PC, 颜色见表格.



TRANSPARENT NYLON ROPE:
 TOTAL LENGTH 150mm,
 DIA. Ø1.0mm
 透明尼龙绳: 总长150mm, 直径Ø1.0mm

T1010032200-000	H3A-KDBP-NRG	H3A HOUSING PLASTIC PROTECTION COVER, 2 EAR, WITHOUT SEALING, NYLON ROPE, GREY H3A下壳塑料保护盖, 2耳, 不带密封, 尼龙绳, 灰色
T1010033200-000	H3A-KDBP-NR	H3A HOUSING PLASTIC PROTECTION COVER, 2 EAR, WITHOUT SEALING, NYLON ROPE, WHITE H3A下壳塑料保护盖, 2耳, 不带密封, 尼龙绳, 白色
PART NUMBER 料号	PART DESCRIPTION 描述	

THIS DRAWING IS A CONTROLLED DOCUMENT.		DWN CHARLIE HU 11 JUL 2017	TE Connectivity	
DIMENSIONS: mm		CHK GINO YAO 11 JUL 2017		
TOLERANCES UNLESS OTHERWISE SPECIFIED:		APVD CHRIS WANG 11 JUL 2017	NAME H3A-KDBP-NR/H3A-KDBP-NRG	
0 PLC ± 1 PLC ± 2 PLC ± 3 PLC ± 4 PLC ± ANGLES ± FINISH		PRODUCT SPEC -	RESTRICTED TO -	
MATERIAL -		APPLICATION SPEC -	SIZE A2	CAGE CODE -
-		WEIGHT -	DRAWING NO G-T101003X200000	
-		CUSTOMER DRAWING	SCALE 2:1	SHEET 1 OF 1
			REV A	