



Chipsmall Limited consists of a professional team with an average of over 10 year of expertise in the distribution of electronic components. Based in Hongkong, we have already established firm and mutual-benefit business relationships with customers from,Europe,America and south Asia,supplying obsolete and hard-to-find components to meet their specific needs.

With the principle of “Quality Parts,Customers Priority,Honest Operation,and Considerate Service”,our business mainly focus on the distribution of electronic components. Line cards we deal with include Microchip,ALPS,ROHM,Xilinx,Pulse,ON,Everlight and Freescale. Main products comprise IC,Modules,Potentiometer,IC Socket,Relay,Connector.Our parts cover such applications as commercial,industrial, and automotives areas.

We are looking forward to setting up business relationship with you and hope to provide you with the best service and solution. Let us make a better world for our industry!



Contact us

Tel: +86-755-8981 8866 Fax: +86-755-8427 6832

Email & Skype: info@chipsmall.com Web: www.chipsmall.com

Address: A1208, Overseas Decoration Building, #122 Zhenhua RD., Futian, Shenzhen, China



T10 SERIES

Solid-State On-Delay Timer

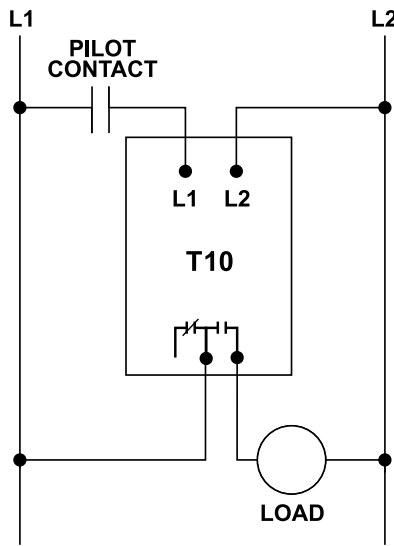


Description

The T10 Series on-delay timer is a solid-state electronic device that provides accurate and reliable timing for control circuits up to 460VAC. The T10 features a user-selectable time delay from 6 seconds to 10 minutes (0.5 to 12 seconds on the T10S400 model) and SPDT output contacts. When power is applied to the T10, it immediately begins its timing cycle. During this time, the indicator LED alternates between red and green and the output contacts remain inactive. When the timing cycle is complete, the indicator LED turns solid green and the output contacts are activated. The output contacts will remain activated until power is removed from the T10.

The SPDT contact ratings are 480V @ 240VAC on the 115V and 230V models, and 470VA @ 600VAC on the 460V model.

Wiring Diagram



Features & Benefits

- Status LED
- 600V control relay on 460V models

Specifications

Input Characteristics

Frequency 50*/60Hz

Functional Characteristics

Timing Range

T10100, T10200, T10400 6 seconds to 10 minutes
T10S400 0.5 seconds to 12 seconds

Repeat Accuracy

Fixed Condition ±1%

Output Characteristics

Output Contact Rating (SPDT)

Pilot Duty

T10100, T10200 480VA @ 240VAC
T10400, T10S400 470VA @ 600VAC

General Characteristics

Maximum Input Power

5 W

Terminal

Torque 7 in.-lbs.

Wire Size

12-18AWG

Safety Marks

UL

Dimensions

UL508 (File #E68520)
H 74.4 mm (2.93"); **W** 133.9 mm (5.27");
D 74.9 mm (2.95")

Weight

0.94 lb. (15.04 oz., 426.38 g)

Mounting Method

#8 screws

*Note: 50Hz will increase all delay timers by 20%.

Ordering Information

MODEL	LINE VOLTAGE	DESCRIPTION
T10120	115VAC	0.1 to 10 minute range, 240 VAC rated output contacts
T10200	230VAC	0.1 to 10 minute range, 240 VAC rated output contacts
T10400	460VAC	0.1 to 10 minute range, 600 VAC rated output contacts
T10S400	460VAC	0.5 to 12 second range, 600 VAC rated output contacts