



Chipsmall Limited consists of a professional team with an average of over 10 year of expertise in the distribution of electronic components. Based in Hongkong, we have already established firm and mutual-benefit business relationships with customers from,Europe,America and south Asia,supplying obsolete and hard-to-find components to meet their specific needs.

With the principle of “Quality Parts,Customers Priority,Honest Operation,and Considerate Service”,our business mainly focus on the distribution of electronic components. Line cards we deal with include Microchip,ALPS,ROHM,Xilinx,Pulse,ON,Everlight and Freescale. Main products comprise IC,Modules,Potentiometer,IC Socket,Relay,Connector.Our parts cover such applications as commercial,industrial, and automotives areas.

We are looking forward to setting up business relationship with you and hope to provide you with the best service and solution. Let us make a better world for our industry!



Contact us

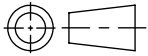
Tel: +86-755-8981 8866 Fax: +86-755-8427 6832

Email & Skype: info@chipsmall.com Web: www.chipsmall.com

Address: A1208, Overseas Decoration Building, #122 Zhenhua RD., Futian, Shenzhen, China



SW2014

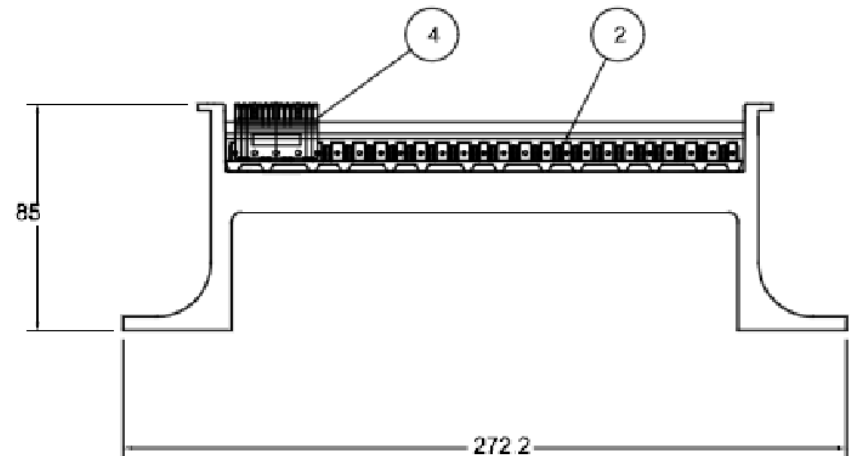
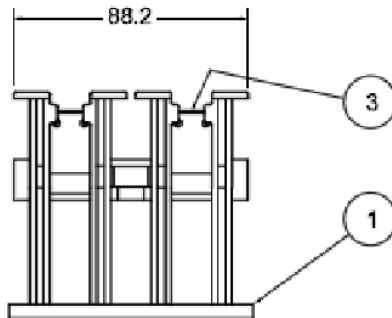
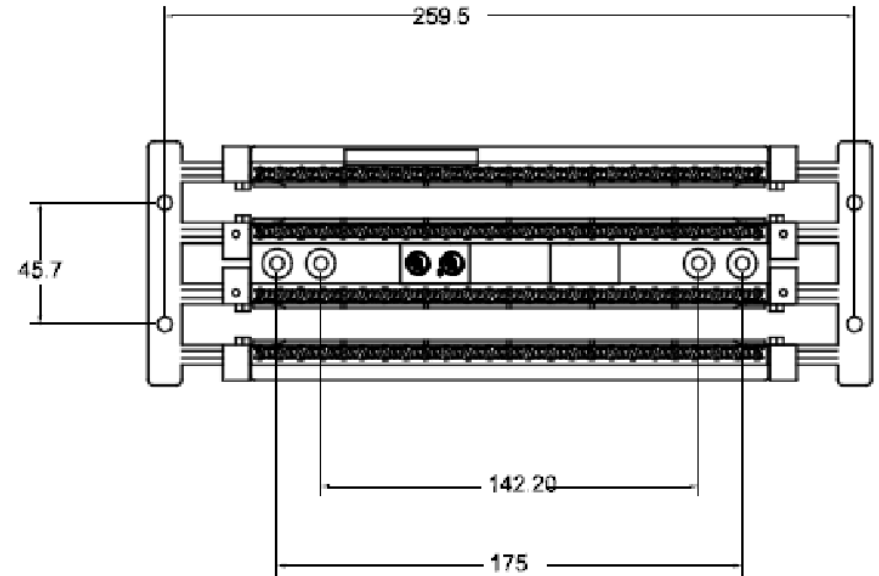


Revision level			Revision Record	Changed	Date	Approved	Date
Drawing	State	Part					
.			SEE ECN# 013155	SNH	6/18/2015	KAC	6/18/2015

NOTES:

1. MATERIAL: P.C.
2. PART TO BE FREE OF BURRS, SUCKS & SCRATCHES
3. DRAFT ANGLE: 1°MAX.
4. ALL UNSPECIFIED CORNER, EDGE, OR FILLET BREAKS ARE TO BE 0.50mm MAXIMUM.

ITEM	DESCRIPTION	QTY	P/N
1	96 PR BASE WITH LEG	1	LP1340
2	24 PR INSERT	4	LP1019
3	INDEX HOLDER	4	110PH
4	110-CAT6 CONNECTING CLIP	48	610C-4



Material
PC

Units: **millimeters**
 Dimension without tolerances details to:
 .XXX = ±.013
 .XX = ±.13
 .X = ±.3
 None = ±.8
 < = ±0.5°
 Dimension Formatted mm/[in]

The copyright of this drawing is reserved by HellermannTyton. It is issued on condition that it is not reproduced, copied, or disclosed to a third party, either wholly or in part, without the consent of HellermannTyton.

Drawn	SNH	6/18/2015
Approved	KAC	6/18/2015

HellermannTyton
 North America
 Email: corp@htamericas.com
 Web: www.hellermann.tyton.com

Article/Type-No	T110KIT964
Title	CATEGORY 6 96 PAIR WITH 4 PAIR CLIPS, INSTALLATION KIT
Drawing-No	15-0375-002-CSU

Scale 1:1
 Project Number PRP 15-0375
 Format AH
 Sheet 1/1