



Chipsmall Limited consists of a professional team with an average of over 10 year of expertise in the distribution of electronic components. Based in Hongkong, we have already established firm and mutual-benefit business relationships with customers from,Europe,America and south Asia,supplying obsolete and hard-to-find components to meet their specific needs.

With the principle of “Quality Parts,Customers Priority,Honest Operation,and Considerate Service”,our business mainly focus on the distribution of electronic components. Line cards we deal with include Microchip,ALPS,ROHM,Xilinx,Pulse,ON,Everlight and Freescale. Main products comprise IC,Modules,Potentiometer,IC Socket,Relay,Connector.Our parts cover such applications as commercial,industrial, and automotives areas.

We are looking forward to setting up business relationship with you and hope to provide you with the best service and solution. Let us make a better world for our industry!



Contact us

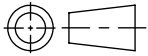
Tel: +86-755-8981 8866 Fax: +86-755-8427 6832

Email & Skype: info@chipsmall.com Web: www.chipsmall.com

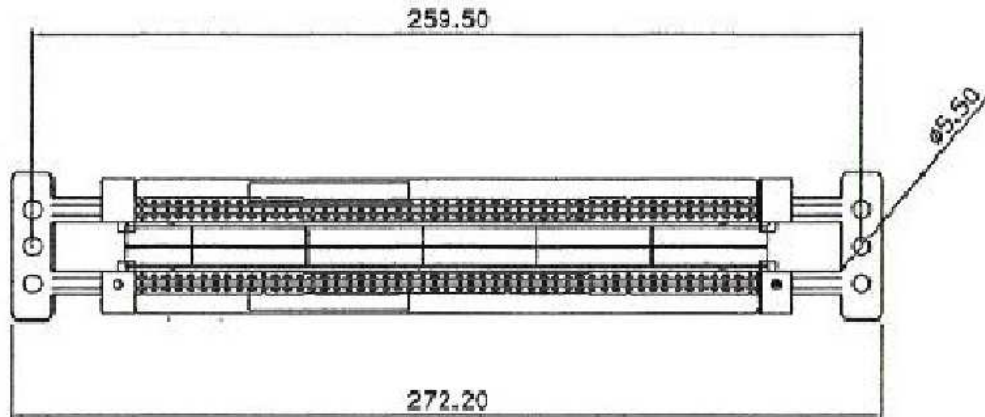
Address: A1208, Overseas Decoration Building, #122 Zhenhua RD., Futian, Shenzhen, China



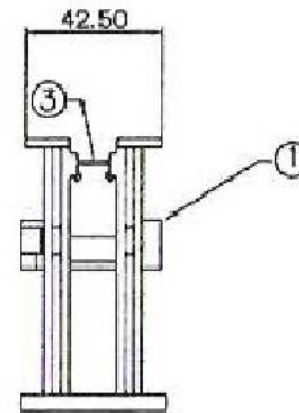
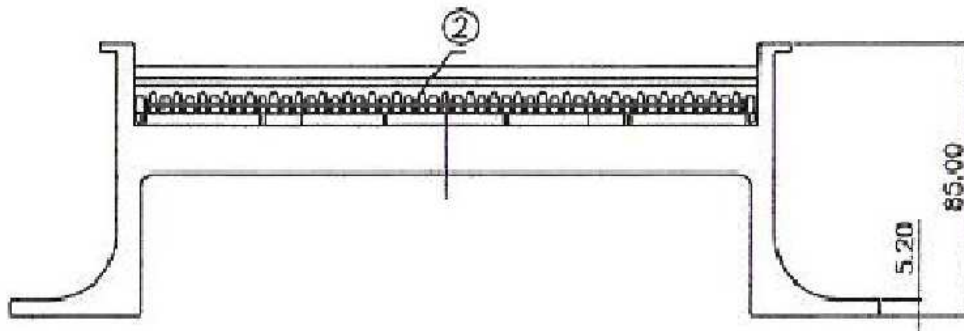
SW2014



Revision level			Revision Record	Changed	Date	Approved	Date
Drawing	State	Part					
.			SEE ECN# 013154	SNH	6/24/2015	KAC	6/24/2015



ITEM	PARTS DESCRIPTION	QTY	P/N
1	50 PR BASE WITH LEG	1	110AWB-50
2	DESI STRIP-WHITE	1	110PS
3	INDEX HOLDER	1	110PH



Material	Units: millimeters	<p>The copyright of this drawing is reserved by HellermannTyton. It is issued on condition that it is not reproduced, copied, or disclosed to a third party, either wholly or in part, without the consent of HellermannTyton.</p>	Drawn	SNH	6/24/2015	Article/Type-No T110WBL50	Scale	1:1		
	Dimension without tolerances details to: .XXX = ±.013 .XX = ±.13 .X = ±.3 None = ±.8 \angle = ±0.5° Dimension Formatted mm/[in]		Approved	KAC	6/24/2015		Title	CATEGORY 5e 50 PAIR 110 WIRING BLOCK WITH LEGS	Project Number	PRP 15-0373
	<p style="text-align: center;">HellermannTyton</p> North America Email: corp@htamericas.com Web: www.hellermann.tyton.com			Drawing-No			: Phase	Format	AH	
							15-0373-001-CSU		Sheet	1/1