



Chipsmall Limited consists of a professional team with an average of over 10 year of expertise in the distribution of electronic components. Based in Hongkong, we have already established firm and mutual-benefit business relationships with customers from,Europe,America and south Asia,supplying obsolete and hard-to-find components to meet their specific needs.

With the principle of “Quality Parts,Customers Priority,Honest Operation,and Considerate Service”,our business mainly focus on the distribution of electronic components. Line cards we deal with include Microchip,ALPS,ROHM,Xilinx,Pulse,ON,Everlight and Freescale. Main products comprise IC,Modules,Potentiometer,IC Socket,Relay,Connector.Our parts cover such applications as commercial,industrial, and automotives areas.

We are looking forward to setting up business relationship with you and hope to provide you with the best service and solution. Let us make a better world for our industry!



Contact us

Tel: +86-755-8981 8866 Fax: +86-755-8427 6832

Email & Skype: info@chipsmall.com Web: www.chipsmall.com

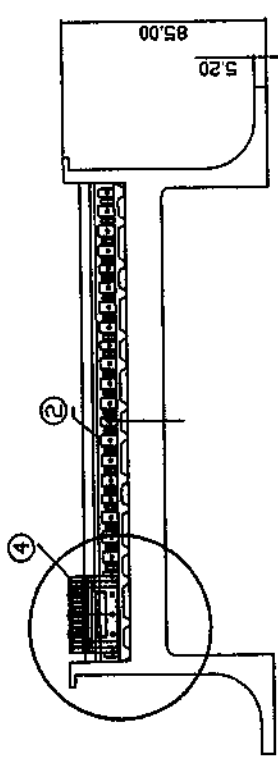
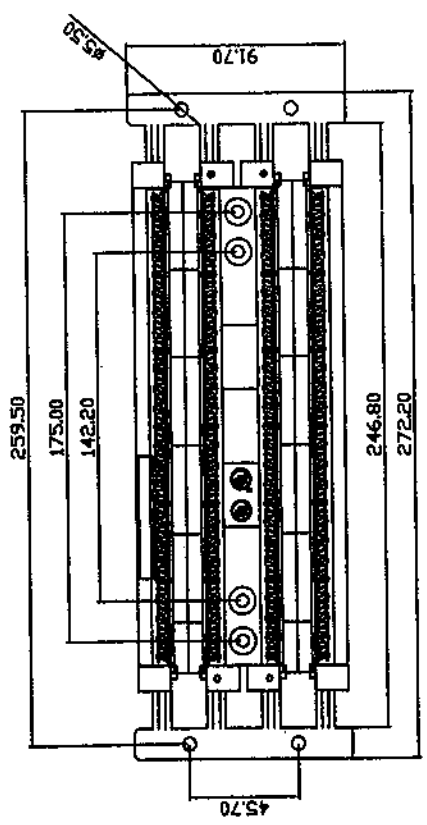
Address: A1208, Overseas Decoration Building, #122 Zhenhua RD., Futian, Shenzhen, China



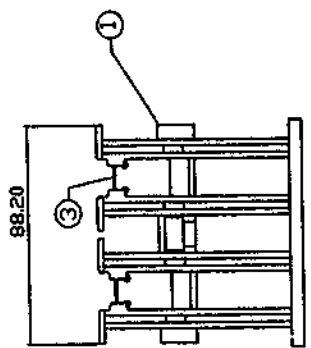
110WB196

REC'D SEP 11 2003

ZONE (REV)	DESCRIPTION	DATE	APPROVED
A	Revisions for Testing	09.07.03	



ITEM	PARTS DESCRIPTION	Q'TY	P/N
1	100PR BASE WITH LEG	1	LP1340
2	24 PR INSERT	4	LP1664
3	INDEX HOLDER	2	LP1027/LH300046
4	110C-4-C6	24	LP1663/LG000127



XMI-DYNA100CST

H110BA6K-96-XXX-1

UNLESS OTHERWISE SPECIFIED:	PROJECT ID	110BA6K-96-XXX-1
TOLERANCES:	110BA6K-96-XXX	
FINISH:	FILE	Z1049
DRILL:	SYBIL	0507JZ
PC:	CHECK:	
SURFACE:	APPROVED:	
FRISK:		
TITLE	HELLERMANN TYTON	
SIZE	96 PAIRS BASE WITH LEG	
SIZE	ORDER NUMBER	PART NUMBER
A1	Z1049	B
SCALE	1:1	SHEET 1 OF 1

610A wB-96