



Chipsmall Limited consists of a professional team with an average of over 10 year of expertise in the distribution of electronic components. Based in Hongkong, we have already established firm and mutual-benefit business relationships with customers from,Europe,America and south Asia,supplying obsolete and hard-to-find components to meet their specific needs.

With the principle of “Quality Parts,Customers Priority,Honest Operation,and Considerate Service”,our business mainly focus on the distribution of electronic components. Line cards we deal with include Microchip,ALPS,ROHM,Xilinx,Pulse,ON,Everlight and Freescale. Main products comprise IC,Modules,Potentiometer,IC Socket,Relay,Connector.Our parts cover such applications as commercial,industrial, and automotives areas.

We are looking forward to setting up business relationship with you and hope to provide you with the best service and solution. Let us make a better world for our industry!



Contact us

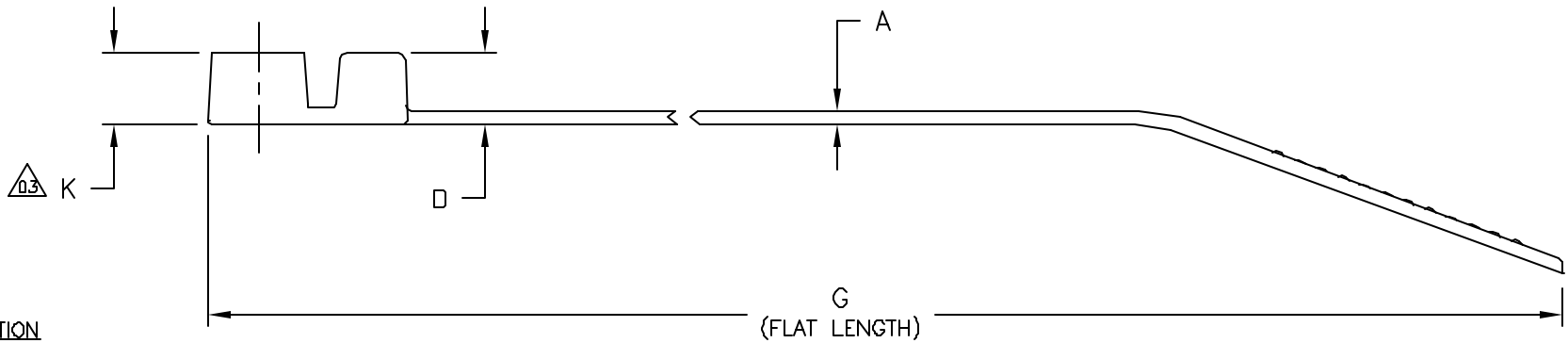
Tel: +86-755-8981 8866 Fax: +86-755-8427 6832

Email & Skype: info@chipsmall.com Web: www.chipsmall.com

Address: A1208, Overseas Decoration Building, #122 Zhenhua RD., Futian, Shenzhen, China



| | | | | | | |
|----------------|---------|-----------------|---------|------|----------|------|
| Revision level | | Revision Record | Changed | Date | Approved | Date |
| part | drawing | | | | | |
| - | 03 | | | | | |



PRODUCT CODE DESCRIPTION

T120MR_HS

COLOR
(CONSULT FACTORY FOR AVAILABLE COLORS)

| Group Order Number | Product Code | Cable Range (mm) | Material | A | B | D | E | G | H | J | K | Min Loop Tensile Strength (newtons) |
|--------------------|--------------|------------------|----------|----------|---------|----------|-----------|-------------|-----------|----------|----------|-------------------------------------|
| | T120MR | 5 to 102 | PA66 | 1.8 ±0.2 | 7.6±0.3 | 7.9 ±0.5 | 13.4 ±0.7 | 395.0 ±20.0 | 28.4 ±0.9 | 6.5 ±0.2 | 7.9 ±0.5 | 535 |
| | T120MR_HS | | PA66HS | | | | | | | | | |
| | T120MR_UV | | PA66UV | | | | | | | | | |

SEE CHART

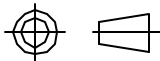
Material

Dimension tolerances unless otherwise specified

- .XXXX =
- .XXX =
- .XX =
- X = ± NOTED
- < =

Dimension Units mm

PERFORMANCE SPECIFICATION



Drawn G.G.G. 08/21/91
Approved K.A.C. 2/28/03

Scale 1:1
Computer File Number CT\CST\2120005_03
Title

ALL PROPRIETARY RIGHTS IN THE SUBJECT MATTER SHOWN ON THIS DRAWING ARE EXCLUSIVE PROPERTY OF HELLERMANN TYTON

HellermannTyton

7930 N. Faulkner Rd.
Milwaukee, WI 53224
Ph: (414) 355-1130
Fx: (414) 362-8338

T120MR MOUNTING CABLE TIE

Drawing-No

CT2120005CST

Format

AH

Sheet 1 of 1