



Chipsmall Limited consists of a professional team with an average of over 10 year of expertise in the distribution of electronic components. Based in Hongkong, we have already established firm and mutual-benefit business relationships with customers from,Europe,America and south Asia,supplying obsolete and hard-to-find components to meet their specific needs.

With the principle of "Quality Parts,Customers Priority,Honest Operation,and Considerate Service",our business mainly focus on the distribution of electronic components. Line cards we deal with include Microchip,ALPS,ROHM,Xilinx,Pulse,ON,Everlight and Freescale. Main products comprise IC,Modules,Potentiometer,IC Socket,Relay,Connector.Our parts cover such applications as commercial,industrial, and automotives areas.

We are looking forward to setting up business relationship with you and hope to provide you with the best service and solution. Let us make a better world for our industry!



Contact us

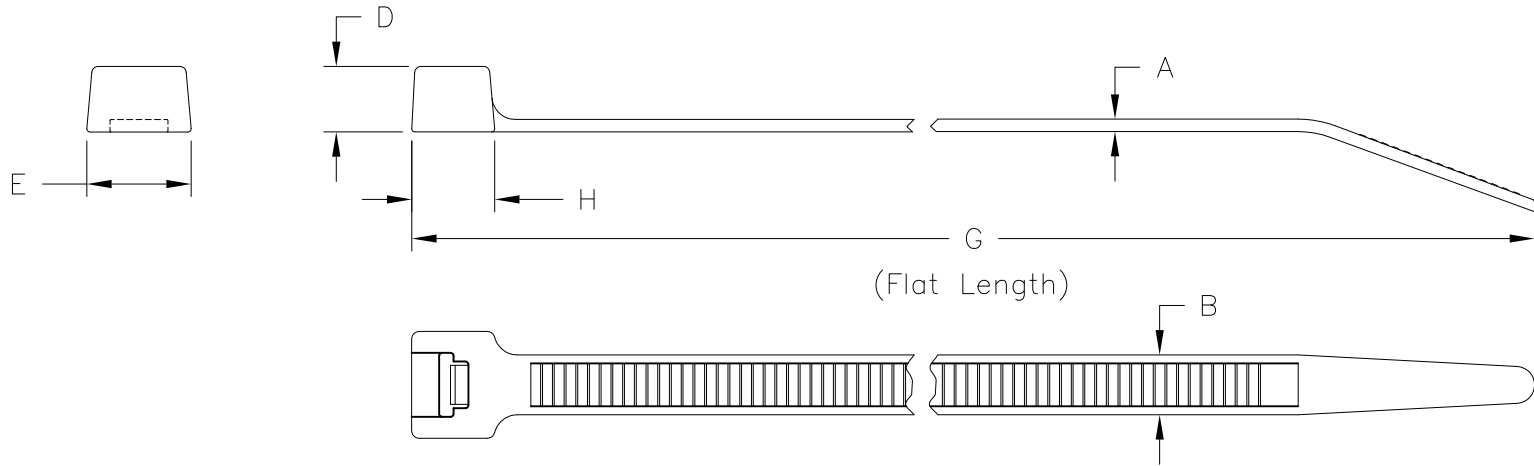
Tel: +86-755-8981 8866 Fax: +86-755-8427 6832

Email & Skype: info@chipsmall.com Web: www.chipsmall.com

Address: A1208, Overseas Decoration Building, #122 Zhenhua RD., Futian, Shenzhen, China



Revision level		Revision Record	Changed	Date	Approved	Date
part	drawing					
—	06	See ECN 012645	A.A.C.	04/11/14	K.A.C.	04/11/14



06

TYPE	Cable Range (mm)	Material	Aerospace Spec. Tie SAE A33671	A	B	D	E	G	H	Min Loop Tensile Strength (newtons)
T120R	5 to 105	PA46	no	1.9 ±0.2	7.6 ±0.2	7.35 ±1.0	12.65 ±1.0	387.0 ±10.0	10.5 ±1.5	535
	15 to 105	PA66VO	no							
	5 to 105	PA66	yes							
	5 to 105	PA66UV	yes							
	5 to 105	PA66HS	no							
	5 to 105	PA66HIRHSUV	no							

SEE CHART

Material

Dimension tolerances unless otherwise specified
 .XXXX =
 .XXX =
 .XX = NOTED
 .X = NOTED
 < =

Dimension Units mm

PERFORMANCE SPECIFICATION

ACAD MECH 2013		Drawn	G.G.G.	11/8/91	Scale	1:1	Computer File Number	CT\CST\2120003_06	
		Approved	K.A.C.	04/11/14	Title	T120R HEAVY DUTY LASHING CABLE TIE			
ALL PROPRIETARY RIGHTS IN THE SUBJECT MATTER SHOWN ON THIS DRAWING ARE EXCLUSIVE PROPERTY OF HELLERMANNTYTON		HellermannTyton. 7930 N. Faulkner Rd. Milwaukee, WI 53224 Ph: (414) 355-1130 Fx: (414) 362-8338			Drawing-No				Format
					CT2120003CST				AH
								Sheet 1 of 1	