



Chipsmall Limited consists of a professional team with an average of over 10 year of expertise in the distribution of electronic components. Based in Hongkong, we have already established firm and mutual-benefit business relationships with customers from,Europe,America and south Asia,supplying obsolete and hard-to-find components to meet their specific needs.

With the principle of “Quality Parts,Customers Priority,Honest Operation,and Considerate Service”,our business mainly focus on the distribution of electronic components. Line cards we deal with include Microchip,ALPS,ROHM,Xilinx,Pulse,ON,Everlight and Freescale. Main products comprise IC,Modules,Potentiometer,IC Socket,Relay,Connector.Our parts cover such applications as commercial,industrial, and automotives areas.

We are looking forward to setting up business relationship with you and hope to provide you with the best service and solution. Let us make a better world for our industry!



Contact us

Tel: +86-755-8981 8866 Fax: +86-755-8427 6832

Email & Skype: info@chipsmall.com Web: www.chipsmall.com

Address: A1208, Overseas Decoration Building, #122 Zhenhua RD., Futian, Shenzhen, China



PRODUCT SPECIFICATION



Product Name	1210 WIRE WOUND CERAMIC CHIP INDUCTORS	Page	1
TAMURA Part No.	T1210-XXX	Rev. No.	0

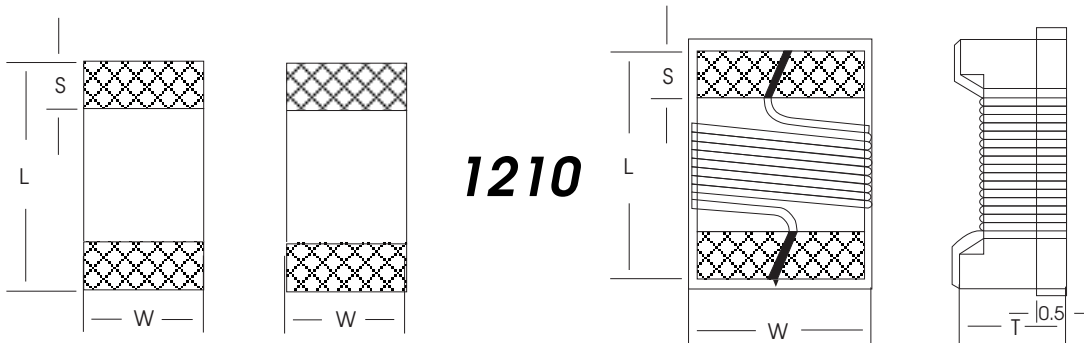
Features:

- Small and lightweight.
- Wide inductance range, 4.7nH to 3300nH.
- Excellent solderability and resistance to soldering heat, suitable for flow and reflow soldering.
- Minimum dimensions, high reliability and high speed surface mount assembly.

Application:

1. Prevention of electromagnetic interference to signals on the secondary side of electric equipment
2. Telecommunication products, mobile phone, pagers, cellular phone, computers. Modems, OA products, TVs, VCRs. etc.

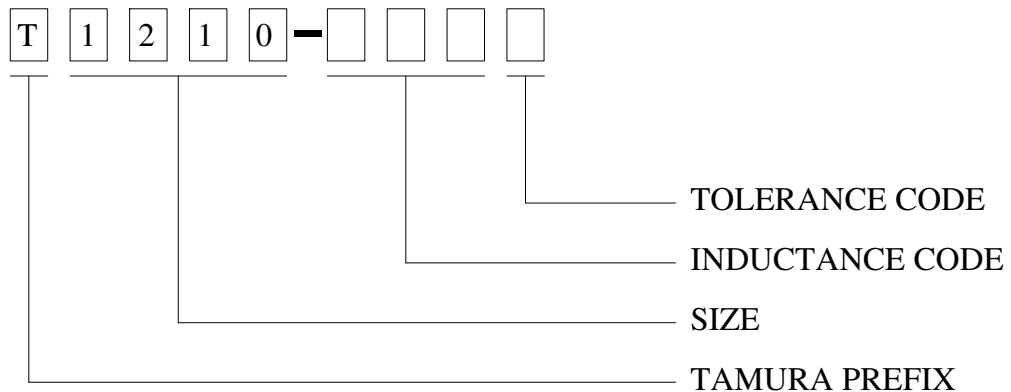
1. CONFIGURATION & DIMENSIONS :



Size Code		L ± 0.2	W ± 0.2	T ± 0.2	S ± 0.2
Japan	USA/Europe				
3225	1210	3.20	2.50	2.20	0.50

All dimensions in mm

2. Part No. FORMAT :

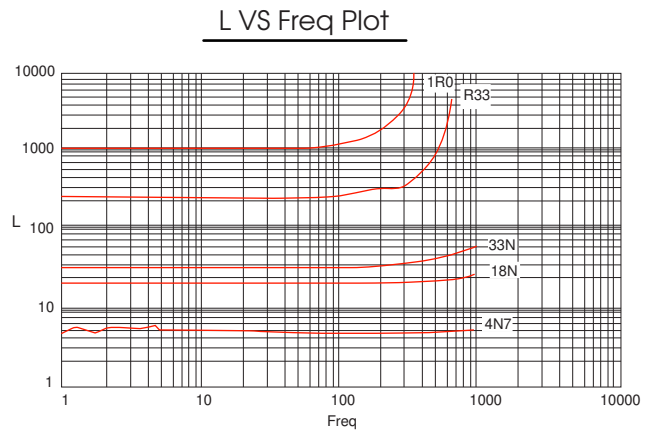
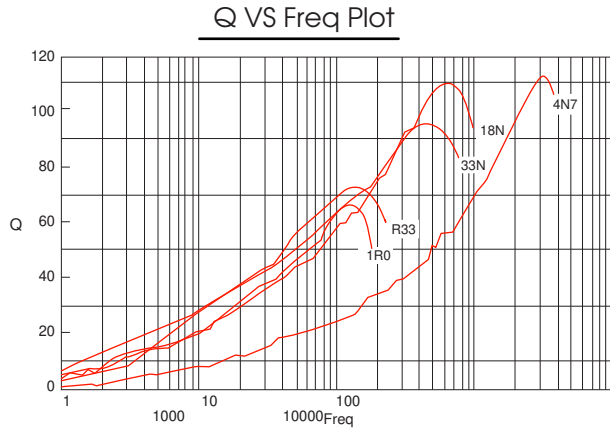


Tolerance Code: J=± 5%, G= ± 2%

PRODUCT SPECIFICATION



Product Name	1210 WIRE WOUND CERAMIC CHIP INDUCTORS	Page	2
TAMURA Part No.	T1210-XXX	Rev. No.	0



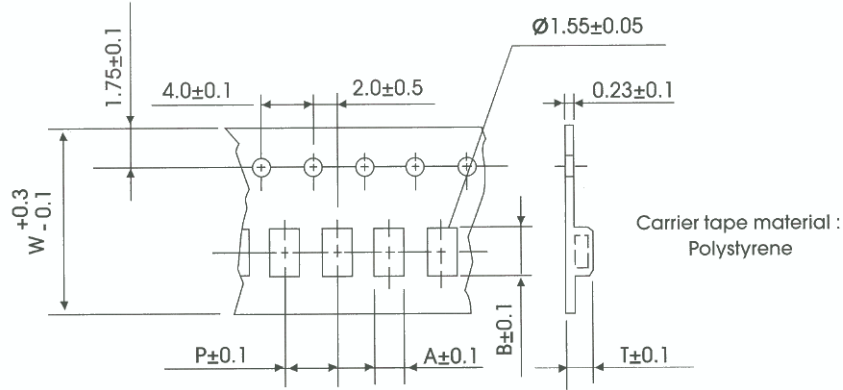
PART No.	Inductance (nH)	Q Min	RDC Max (Ohms)	I DC Max (mA)	SRF Min (MHz)
T1210 - 4N7	4.7@ 100MHz	50@ 1000MHz	0.06	1000	5700
T1210 - 5N6	5.6@ 100MHz	50@ 1000MHz	0.08	1000	5700
T1210 - 10N	10@ 100MHz	60@ 500MHz	0.06	1000	4000
T1210 - 12N	12@ 100MHz	60@ 500MHz	0.06	1000	3200
T1210 - 15N	15@ 100MHz	60@ 500MHz	0.06	1000	3200
T1210 - 18N	18@ 100MHz	60@ 300MHz	0.06	1000	2800
T1210 - 22N	22@ 100MHz	60@ 300MHz	0.08	1000	2200
T1210 - 27N	27@ 100MHz	60@ 300MHz	0.08	1000	1800
T1210 - 33N	33@ 100MHz	60@ 300MHz	0.08	1000	1800
T1210 - 39N	39@ 100MHz	60@ 300MHz	0.08	1000	1800
T1210 - 47N	47@ 100MHz	60@ 300MHz	0.08	1000	1500
T1210 - 56N	56@ 100MHz	60@ 300MHz	0.10	1000	1450
T1210 - 68N	68@ 100MHz	60@ 300MHz	0.10	900	1200
T1210 - 82N	82@ 100MHz	60@ 300MHz	0.10	900	1200
T1210 - R10	100@ 100MHz	60@ 300MHz	0.10	850	1100
T1210 - R12	120@ 50MHz	60@ 300MHz	0.12	800	1100
T1210 - R15	150@ 50MHz	60@ 300MHz	0.18	750	950
T1210 - R18	180@ 50MHz	60@ 300MHz	0.21	700	900
T1210 - R22	220@ 50MHz	60@ 300MHz	0.27	670	760
T1210 - R27	270@ 50MHz	50@ 300MHz	0.33	630	730
T1210 - R33	330@ 50MHz	50@ 100MHz	0.37	590	650
T1210 - R39	390@ 50MHz	50@ 100MHz	0.63	530	600
T1210 - R47	470@ 50MHz	50@ 100MHz	0.69	490	550
T1210 - R56	560@ 50MHz	50@ 100MHz	0.90	460	470
T1210 - R68	680@ 25MHz	50@ 100MHz	1.05	430	450
T1210 - R82	820@ 25MHz	50@ 100MHz	1.45	400	420
T1210 - 1R0	1000@ 25MHz	50@ 100MHz	2.10	320	400
T1210 - 1R2	1200@ 7.96MHz	45@ 50MHz	2.40	300	380
T1210 - 1R5	1500@ 7.96MHz	45@ 50MHz	2.70	300	210
T1210 - 1R8	1800@ 7.96MHz	45@ 50MHz	3.50	280	190
T1210 - 2R2	2200@ 7.96MHz	45@ 50MHz	3.80	270	170
T1210 - 2R7	2700@ 7.96MHz	30@ 7.96MHz	1.10	250	160
T1210 - 3R3	3300@ 7.96MHz	30@ 7.96MHz	1.20	220	145

PRODUCT SPECIFICATION



Product Name	1210 WIRE WOUND CERAMIC CHIP INDUCTORS	Page	3
TAMURA Part No.	T1210-XXX	Rev. No.	0

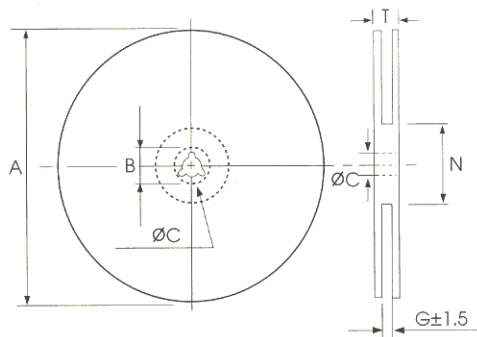
3. PACKAGING INFORMATION :



Package Size	A	B	W	P	T	Carrier Material	Tape/Cover Material	Qty. Units / reel	# Reels /Carton	Carton Size (LxWxH)
0402	0.65	1.15	8	2	N/A	plastic	plastic	10,000	36	400*265*238
0603	1.08	1.88	8	4	N/A	plastic	plastic	3000	36	400*265*238
0805	1.50	2.30	8	4	0.3	plastic	plastic	3000	36	400*265*238
1008	N/A	N/A	8	4	0.3	plastic	plastic	2000	36	400*265*238
1210	1.88	3.50	8	4	0.3	plastic	plastic	2000	50	390*215*390
1812	N/A	N/A	12	8	0.3	plastic	plastic	500	40	390*215*390

Dimensions in mm

REEL DIMENSIONS
Material: Paper, Plastic



TYPE	8mm	12mm
A	178 ± 2	178 ± 2
B	21.0 ± 0.8	21.0 ± 0.8
C	13.0 ± 0.8	13.0 ± 0.8
G	10.0	14.0
N	75	75
T	12.5	16.5

