



Chipsmall Limited consists of a professional team with an average of over 10 year of expertise in the distribution of electronic components. Based in Hongkong, we have already established firm and mutual-benefit business relationships with customers from,Europe,America and south Asia,supplying obsolete and hard-to-find components to meet their specific needs.

With the principle of “Quality Parts,Customers Priority,Honest Operation,and Considerate Service”,our business mainly focus on the distribution of electronic components. Line cards we deal with include Microchip,ALPS,ROHM,Xilinx,Pulse,ON,Everlight and Freescale. Main products comprise IC,Modules,Potentiometer,IC Socket,Relay,Connector.Our parts cover such applications as commercial,industrial, and automotives areas.

We are looking forward to setting up business relationship with you and hope to provide you with the best service and solution. Let us make a better world for our industry!



Contact us

Tel: +86-755-8981 8866 Fax: +86-755-8427 6832

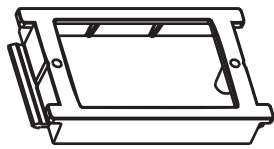
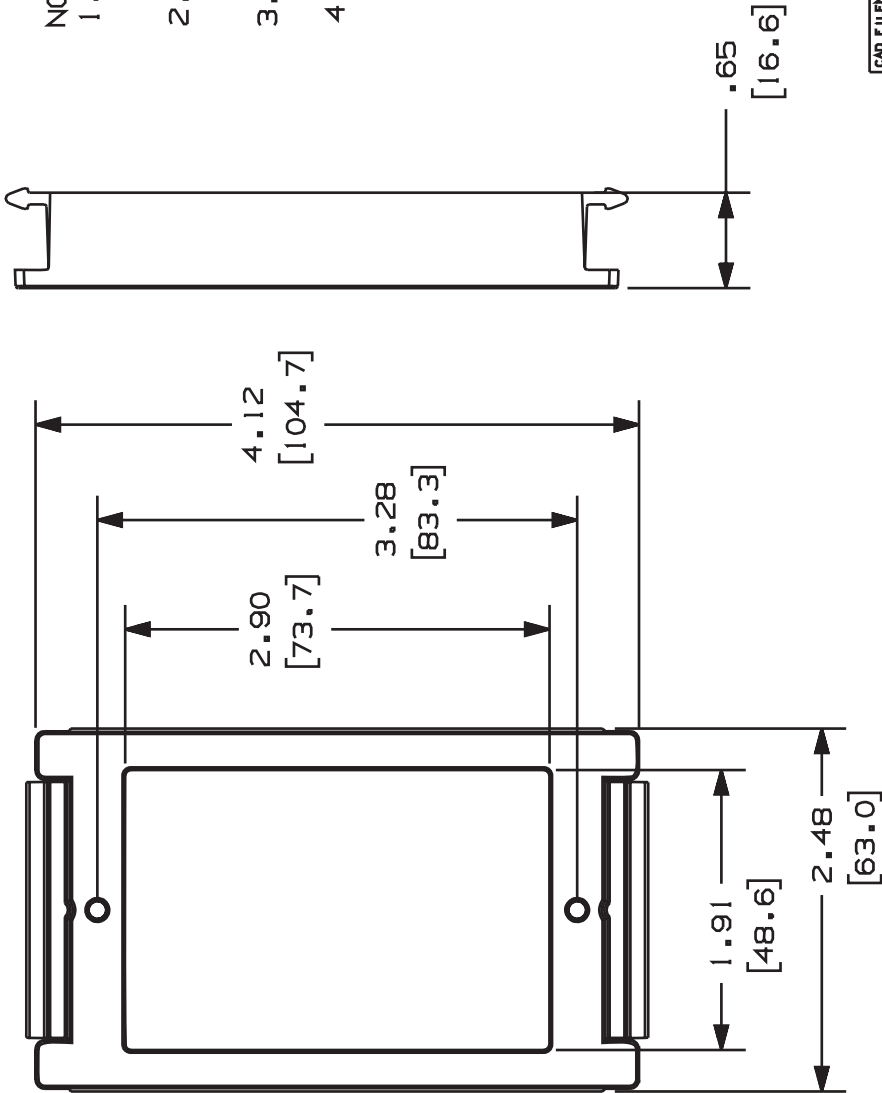
Email & Skype: info@chipsmall.com Web: www.chipsmall.com

Address: A1208, Overseas Decoration Building, #122 Zhenhua RD., Futian, Shenzhen, China



THIS COPY IS PROVIDED ON A RESTRICTED BASIS AND IS NOT TO BE USED IN ANY WAY DETRIMENTAL TO THE INTERESTS OF PANDUIT CORP.

PANDUIT P/N	WEIGHT
T130DBV	.6 LB/10 PCS (242 9/10 PCS)



NOTES:

1. SEE CURRENT CATALOG FOR ADDITIONAL PART SUFFIXES TO INDICATE COLOR AND OR PACKAGE QUANTITY.
2. THE T130DBV IS USED FOR MOUNTING NEMA STANDARD ELECTRICAL RECEPTACLES INCLUDING GFCI.
3. THE T130DBV IS MOUNTED ONLY TO SLOTS ON THE T130 RACEWAY WALL.
4. DIMENSIONS IN PARENTHESES ARE IN METRIC.

CAD FILE NAME/LAYERS

D36728BG_DC_T130DBV_01

PANDUIT

CORP. TINLEY PARK, ILLINOIS

PAN-WAY T130 VERTICAL DEVICE BRACKET(T130DBV) CUSTOMER DRAWING

UNLESS OTHERWISE SPECIFIED, DIMENSIONAL TOLERANCES ARE:
(.X) ±.03(1.8) ANGLES ±

UNLESS OTHERWISE SPECIFIED, ALL DIMENSIONS ARE GIVEN IN INCHES, THIRD ANGLE PROJECTION.

DRAWN BY	DW	MAT'L:	NONE
DATE	3-25-98		
CHECKED BY	HIW		

	PVC

DWG	36728-06
SIZE	A

ECN	36728-06	CHK	CUST	SUP
	36728-06	HIW	HIW	

DESCRIPTION	A. REVISED MATERIAL AND WEIGHT. RELEASED TO PRODUCTION.
-------------	--

REV	DATE	BY	CHK
1	7/8/99	DW	
R	3-25-98	DW	HIW