



Chipsmall Limited consists of a professional team with an average of over 10 year of expertise in the distribution of electronic components. Based in Hongkong, we have already established firm and mutual-benefit business relationships with customers from,Europe,America and south Asia,supplying obsolete and hard-to-find components to meet their specific needs.

With the principle of “Quality Parts,Customers Priority,Honest Operation,and Considerate Service”,our business mainly focus on the distribution of electronic components. Line cards we deal with include Microchip,ALPS,ROHM,Xilinx,Pulse,ON,Everlight and Freescale. Main products comprise IC,Modules,Potentiometer,IC Socket,Relay,Connector.Our parts cover such applications as commercial,industrial, and automotives areas.

We are looking forward to setting up business relationship with you and hope to provide you with the best service and solution. Let us make a better world for our industry!



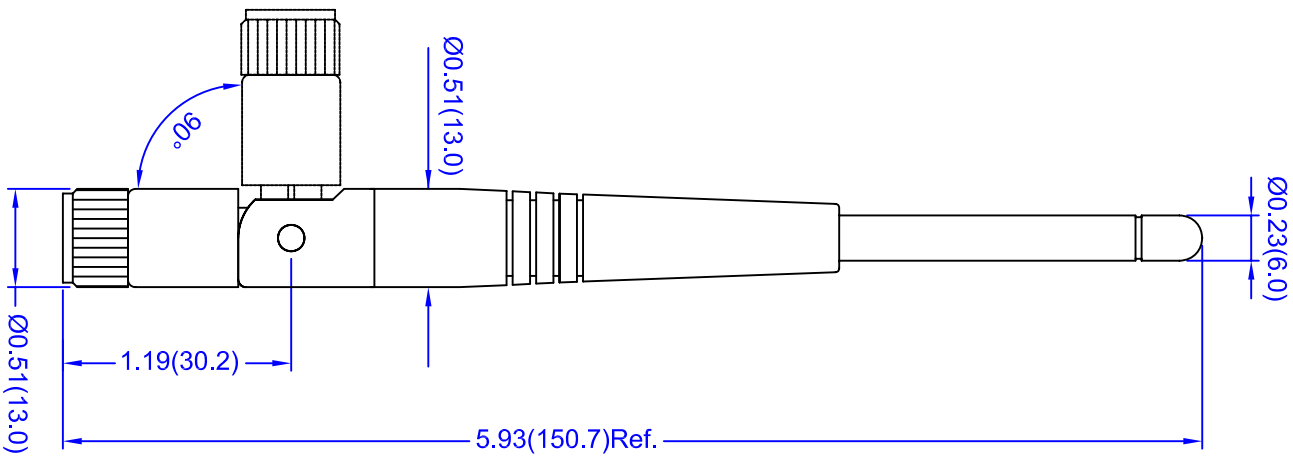
Contact us

Tel: +86-755-8981 8866 Fax: +86-755-8427 6832

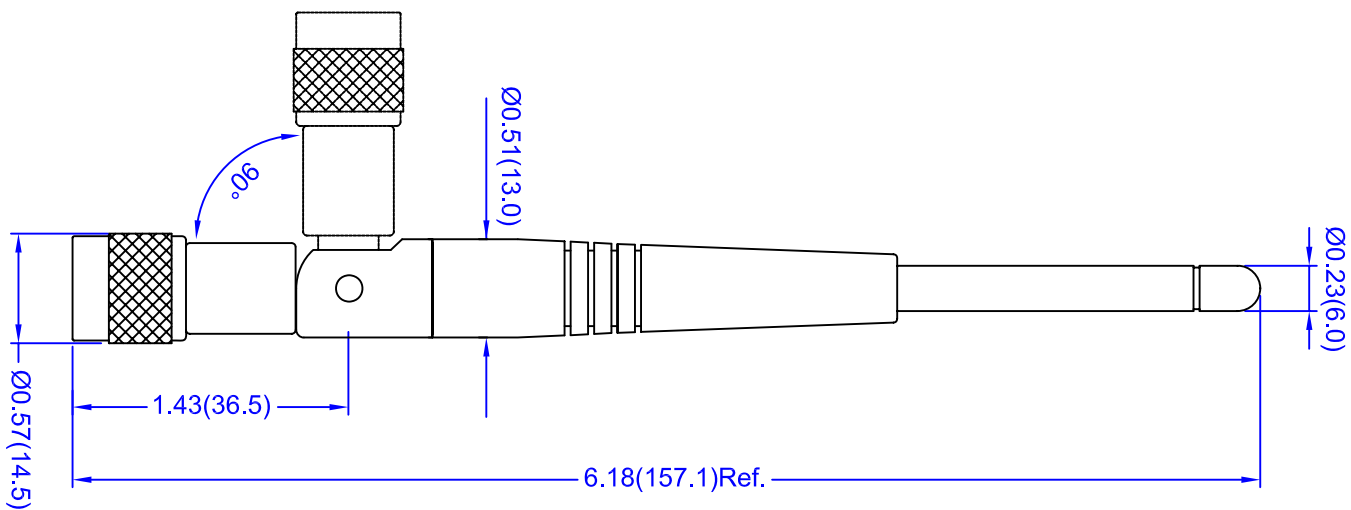
Email & Skype: info@chipsmall.com Web: www.chipsmall.com

Address: A1208, Overseas Decoration Building, #122 Zhenhua RD., Futian, Shenzhen, China





SMA type
connector



TNC type
connector

Electrical Properties:

Frequency Range: 2.4~2.5/4.9~5.35/5.725~5.85 GHz
 Impedance: 50Ω nominal
 VSWR: <2.0:1
 Gain: 2 dBi @ 2.45GHz
 2 dBi @ 5.25GHz
 2 dBi @ 5.75GHz
 Radiation: Omni
 Polarization: Vertical

Mechanical Properties:

Material: Polycarbonate(Black)
 Whip: Polycarbonate(Black)
 Swivel Mechanism: Brass with black chrome plating
 Connector: -20°C to +65°C
 Operation Temp.: -30°C to +75°C
 Storage Temp.:

This is a RoHS compliant product.





TITLE	Multi-Band Swivel Antenna		Rev. Date	SHEET
UNIT	-145 Model		03/29/06	1 of 2
SCALE	DWG. NO. T145XX-2.4/4.9/5.x-S			
SCALE	in.(mm)			
SCALE	none			

NEARSON

Series Part Numbers

Connector Code	Description	P / N
-XX-AM	SMA Plug	T145AM-2.4/4.9/5.x-S
AH	SMA Plug Reverse Polarity	T145AH-2.4/4.9/5.x-S
TC	TNC Plug	T145TC-2.4/4.9/5.x-S
TR	TNC Plug Reverse Polarity	T145TR-2.4/4.9/5.x-S

Connector Interface

 SMA Plug (AM)	 TNC Plug (TC)
 SMA Plug Reverse Polarity (AH)	 TNC Plug Reverse Polarity (TR)

TITLE	Multi-Band Swivel Antenna		Rev. Date	SHEET
UNIT	DWG. NO.		03/29/06	2 of 2
In.(mm)	T145XX-2.4/4.9/5.x-S			
SCALE				
none				

NEARSON