



Chipsmall Limited consists of a professional team with an average of over 10 year of expertise in the distribution of electronic components. Based in Hongkong, we have already established firm and mutual-benefit business relationships with customers from,Europe,America and south Asia,supplying obsolete and hard-to-find components to meet their specific needs.

With the principle of "Quality Parts,Customers Priority,Honest Operation,and Considerate Service",our business mainly focus on the distribution of electronic components. Line cards we deal with include Microchip,ALPS,ROHM,Xilinx,Pulse,ON,Everlight and Freescale. Main products comprise IC,Modules,Potentiometer,IC Socket,Relay,Connector.Our parts cover such applications as commercial,industrial, and automotives areas.

We are looking forward to setting up business relationship with you and hope to provide you with the best service and solution. Let us make a better world for our industry!



Contact us

Tel: +86-755-8981 8866 Fax: +86-755-8427 6832

Email & Skype: info@chipsmall.com Web: www.chipsmall.com

Address: A1208, Overseas Decoration Building, #122 Zhenhua RD., Futian, Shenzhen, China



Touchkit with capacitive touchscreen



See below:
[Approvals and Compliances](#)

Description

- Kit content:
- 1x 10.1" SCHURTER Touchscreen Sensor on 2 mm float glass
- 1x PCAP controller board (EETI chipset)
- 1x Active Touchscreen Stylus
- 1x 1 m mini USB-Cable
- 4x self adhesive Feet
- 1x USB stick with evaluation software
- 1x AAAA battery for the active stylus
- 1x Quick Start Guide

Unique Selling Proposition

- Plug and Play
- Multitouch functionality
- Glove operation

Characteristics

- Capacitive touch sensor
- No external power supply necessary
- Choice of 2 sensitivity modes
- Up to 10 fingers at one time
- Palm recognition
- Water recognition
- EMC safe up to 10 Vrms conducted immunity and 10 V/m radiated immunity

Weblinks

[html-datasheet](#), [General Product Information](#), [CAD-Drawings](#), [Product News](#), [Detailed request for product](#), [Microsite](#)

Technical Data

Sensor

Type	T1542
Size	10.1 " active area 139.6 mm x 221 mm
Electrode Pitch	5.52 mm x 5.37 mm
Material	PET + ITO + Kapton tail
Cover	2 mm float glass
Printing	Black with SCHURTER Logo
Channel-count	26 x 40 channels
Operating Temperature	-10 °C to +70 °C
Storage Temperature	-20 °C to +75 °C

Controller

Chipset	EETI EX3146
Size	30 mm x 65 mm
Channel-count	max. 30 x 42 channels (including shield lines)
Input voltage	3.5 V ~ 5.5 V typ. 5 V (powered via USB)
Power consumption	Active mode: < 50 mA Idle mode: < 30 mA
Operating Temperature	-40 °C to +85 °C
Storage Temperature	-40 °C to +90 °C
Relative humidity	95% at 60 °C RH nicht kondensierend
Interface	USB 1.1 Full speed (mini-USB) I ² C 100 - 400 kHz (2.54 mm pitch soldering interface) *
Response time	< 25 ms
Report rate	> 100Hz (1 - 10 fingers)
USB-HID	Compatible (Windows / Linux / Mac OS)

* only on customer request

Active Touchscreen stylus

Size	9.7 mm x 140.7 mm
Battery	1 x AAAA
Buttons	2

Included Software

Hardware calibration tool	EXC3062RunCalibration.bat
SCHURTER PCAP Analyzer	AnalyserTool.exe
SCHURTER Sensitivity Tool	SensitivityTool.exe

Approvals and Compliances

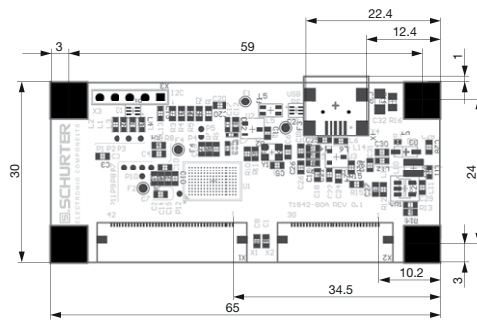
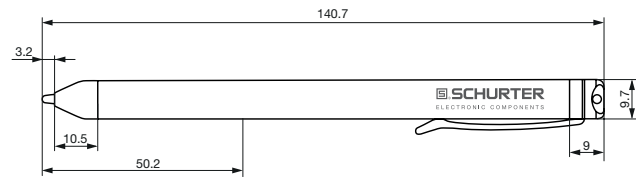
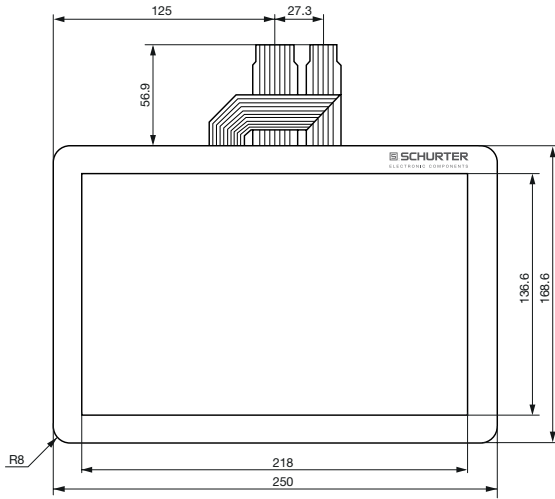
Detailed information on product approvals, code requirements, usage instructions and detailed test conditions can be looked up in [Details about Approvals](#)

Compliances

The product complies with following Guide Lines

Identification	Details	Initiator	Description
REACH	REACH	SCHURTER AG	On 1 June 2007, Regulation (EC) No 1907/2006 on the Registration, Evaluation, Authorization and Restriction of Chemicals 1 (abbreviated as "REACH") entered into force.

Dimension [mm]



Description	Bestellnummer
PCAP Touch Kit	1400.0402

Most Popular.

Availability for all products can be searched real-time: <https://www.schurter.com/en/Stock-Check/Stock-Check-SCHURTER>

Packaging unit 1 Kit

