



Chipsmall Limited consists of a professional team with an average of over 10 year of expertise in the distribution of electronic components. Based in Hongkong, we have already established firm and mutual-benefit business relationships with customers from,Europe,America and south Asia,supplying obsolete and hard-to-find components to meet their specific needs.

With the principle of “Quality Parts,Customers Priority,Honest Operation,and Considerate Service”,our business mainly focus on the distribution of electronic components. Line cards we deal with include Microchip,ALPS,ROHM,Xilinx,Pulse,ON,Everlight and Freescale. Main products comprise IC,Modules,Potentiometer,IC Socket,Relay,Connector.Our parts cover such applications as commercial,industrial, and automotives areas.

We are looking forward to setting up business relationship with you and hope to provide you with the best service and solution. Let us make a better world for our industry!



## Contact us

Tel: +86-755-8981 8866 Fax: +86-755-8427 6832

Email & Skype: info@chipsmall.com Web: www.chipsmall.com

Address: A1208, Overseas Decoration Building, #122 Zhenhua RD., Futian, Shenzhen, China



# PRODUCT SPECIFICATION



Product Name	1812 WIRE WOUND CERAMIC CHIP INDUCTORS	Page	1
TAMURA Part No.	T1812-XXX	Rev. No.	0

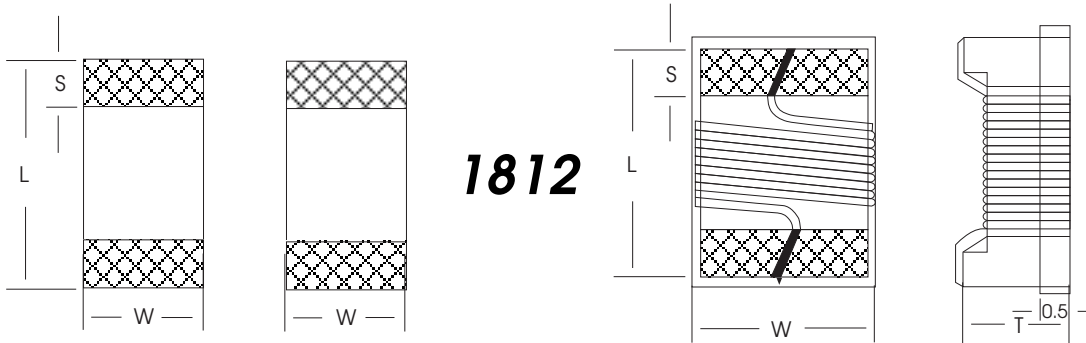
## Features:

- Small and lightweight.
- Wide inductance range, 1.6nH to 270nH.
- Excellent solderability and resistance to soldering heat, suitable for flow and reflow soldering.
- Minimum dimensions, high reliability and high speed surface mount assembly.

## Application:

1. Prevention of electromagnetic interference to signals on the secondary side of electric equipment
2. Telecommunication products, mobile phone, pagers, cellular phone, computers. Modems, OA products, TVs, VCRs. etc.

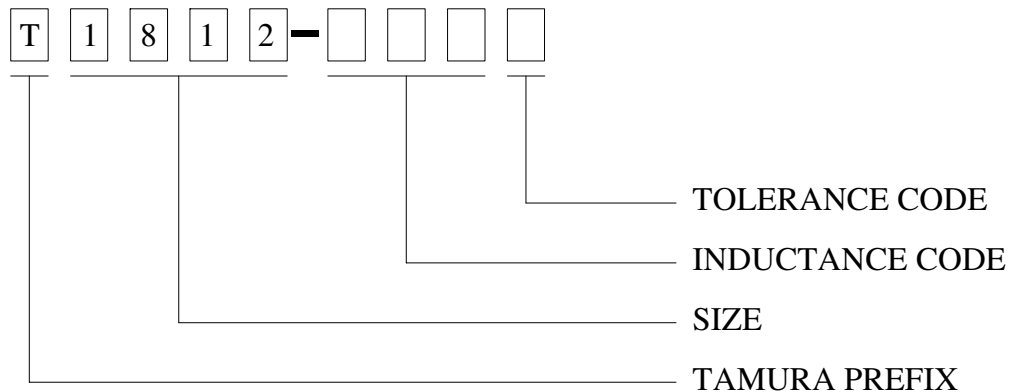
## 1. CONFIGURATION & DIMENSIONS :



Size Code		L ± 0.2	W ± 0.2	T ± 0.2	S ± 0.2
Japan	USA/Europe				
4532	1812	4.95	3.81	3.43	0.64

All dimensions in mm

## 2. Part No. FORMAT :



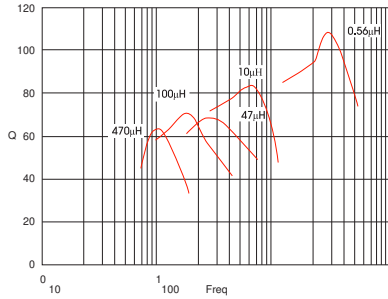
Tolerance Code: J= ± 5%, K= ± 10%

# PRODUCT SPECIFICATION

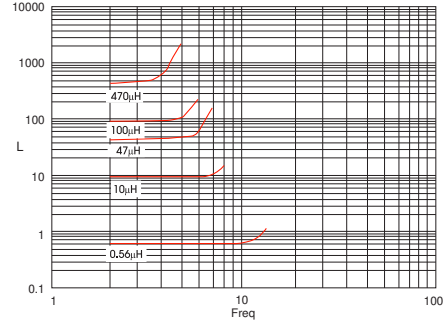


Product Name	1812 WIRE WOUND CERAMIC CHIP INDUCTORS	Page	2
TAMURA Part No.	T1812-XXX	Rev. No.	0

Q VS Freq Plot



L VS Freq Plot



PART No.	Inductance (nH)	Q Min	RDC Max (Ohms)	I DC Max (mA)	SRF Min (MHz)
T1812 - 1R0K	1000@ 7.96MHz	50@ 7.96	0.50	480	310
T1812 - 1R2K	1200@ 7.96MHz	50@ 7.96	0.55	480	230
T1812 - 1R5K	1500@ 7.96MHz	50@ 7.96	0.60	430	210
T1812 - 1R8K	1800@ 7.96MHz	50@ 7.96	0.65	380	190
T1812 - 2R2K	2200@ 7.96MHz	50@ 7.96	0.70	340	170
T1812 - 2R7K	2700@ 7.96MHz	50@ 7.96	0.75	300	160
T1812 - 3R3K	3300@ 7.96MHz	50@ 7.96	0.80	270	145
T1812 - 3R9K	3900@ 7.96MHz	50@ 7.96	0.90	240	130
T1812 - 4R7K	4700@ 7.96MHz	50@ 7.96	1.00	230	115
T1812 - 5R6K	5600@ 7.96MHz	50@ 7.96	1.10	220	100
T1812 - 6R8K	6800@ 7.96MHz	50@ 7.96	1.20	210	90
T1812 - 8R2K	8200@ 7.96MHz	50@ 7.96	1.40	200	80
T1812 - 100K	10000@ 2.52MHz	50@ 2.52	1.60	190	70
T1812 - 120K	12000@ 2.52MHz	50@ 2.52	2.00	310	55
T1812 - 150K	15000@ 2.52MHz	50@ 2.52	2.50	290	45
T1812 - 180K	18000@ 2.52MHz	50@ 2.52	2.80	270	37
T1812 - 220K	22000@ 2.52MHz	50@ 2.52	3.20	260	32
T1812 - 270K	27000@ 2.52MHz	50@ 2.52	3.60	240	27
T1812 - 330K	33000@ 2.52MHz	50@ 2.52	4.00	230	23
T1812 - 390K	39000@ 2.52MHz	50@ 2.52	4.50	210	19
T1812 - 470K	47000@ 2.52MHz	50@ 2.52	5.00	200	16
T1812 - 560K	56000@ 2.52MHz	50@ 2.52	5.50	190	13
T1812 - 680K	68000@ 2.52MHz	50@ 2.52	6.00	180	10
T1812 - 820K	82000@ 2.52MHz	50@ 2.52	7.00	170	9.0
T1812 - 101K	100000@ 0.796MHz	40@ 0.796	8.00	150	8.5
T1812 - 121K	120000@ 0.796MHz	40@ 0.796	8.00	135	8.5
T1812 - 151K	150000@ 0.796MHz	40@ 0.796	9.00	125	8.5
T1812 - 181K	180000@ 0.796MHz	40@ 0.796	9.50	120	8.0
T1812 - 221K	220000@ 0.796MHz	40@ 0.796	10.00	115	6.0
T1812 - 271K	270000@ 0.796MHz	40@ 0.796	12.00	105	5.0
T1812 - 331K	330000@ 0.796MHz	40@ 0.796	14.00	100	4.5
T1812 - 391K	390000@ 0.796MHz	40@ 0.796	18.00	90	3.5
T1812 - 471K	470000@ 0.796MHz	40@ 0.796	26.00	85	3.0
T1812 - 561K	560000@ 0.796MHz	30@ 0.796	30.00	75	2.0
T1812 - 681K	680000@ 0.796MHz	30@ 0.796	30.00	60	1.9
T1812 - 821K	820000@ 0.796MHz	30@ 0.796	35.00	55	1.6
T1812 - 102K	1000000@ 0.252MHz	30@ 0.252	40.00	50	1.5

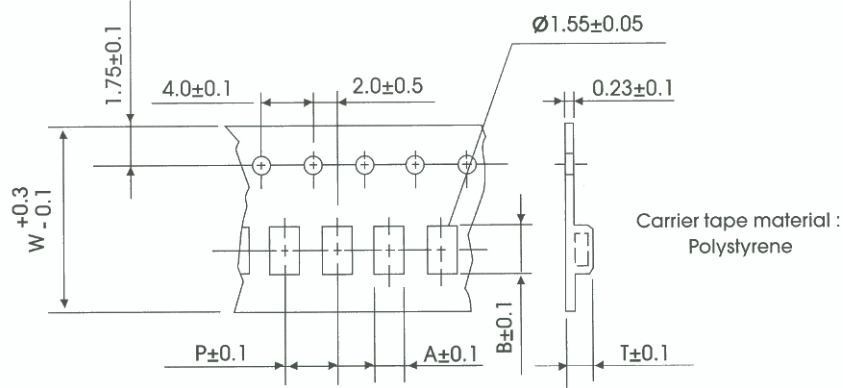


# PRODUCT SPECIFICATION



Product Name	1812 WIRE WOUND CERAMIC CHIP INDUCTORS	Page	3
TAMURA Part No.	T1812-XXX	Rev. No.	0

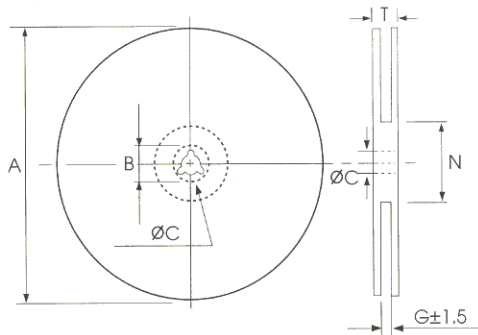
## 3. PACKAGING INFORMATION :



Package Size	A	B	W	P	T	Carrier Material	Tape/Cover Material	Qty. Units / reel	# Reels /Carton	Carton Size (LxWxH)
0402	0.65	1.15	8	2	N/A	plastic	plastic	10,000	36	400*265*238
0603	1.08	1.88	8	4	N/A	plastic	plastic	3000	36	400*265*238
0805	1.50	2.30	8	4	0.3	plastic	plastic	3000	36	400*265*238
1008	N/A	N/A	8	4	0.3	plastic	plastic	2000	36	400*265*238
1210	1.88	3.50	8	4	0.3	plastic	plastic	2000	50	390*215*390
1812	N/A	N/A	12	8	0.3	plastic	plastic	500	40	390*215*390

Dimensions in mm

REEL DIMENSIONS  
Material: Paper, Plastic



TYPE	8mm	12mm
A	178 ± 2	178 ± 2
B	21.0 ± 0.8	21.0 ± 0.8
C	13.0 ± 0.8	13.0 ± 0.8
G	10.0	14.0
N	75	75
T	12.5	16.5

