



Chipsmall Limited consists of a professional team with an average of over 10 year of expertise in the distribution of electronic components. Based in Hongkong, we have already established firm and mutual-benefit business relationships with customers from,Europe,America and south Asia,supplying obsolete and hard-to-find components to meet their specific needs.

With the principle of “Quality Parts,Customers Priority,Honest Operation,and Considerate Service”,our business mainly focus on the distribution of electronic components. Line cards we deal with include Microchip,ALPS,ROHM,Xilinx,Pulse,ON,Everlight and Freescale. Main products comprise IC,Modules,Potentiometer,IC Socket,Relay,Connector.Our parts cover such applications as commercial,industrial, and automotives areas.

We are looking forward to setting up business relationship with you and hope to provide you with the best service and solution. Let us make a better world for our industry!



Contact us

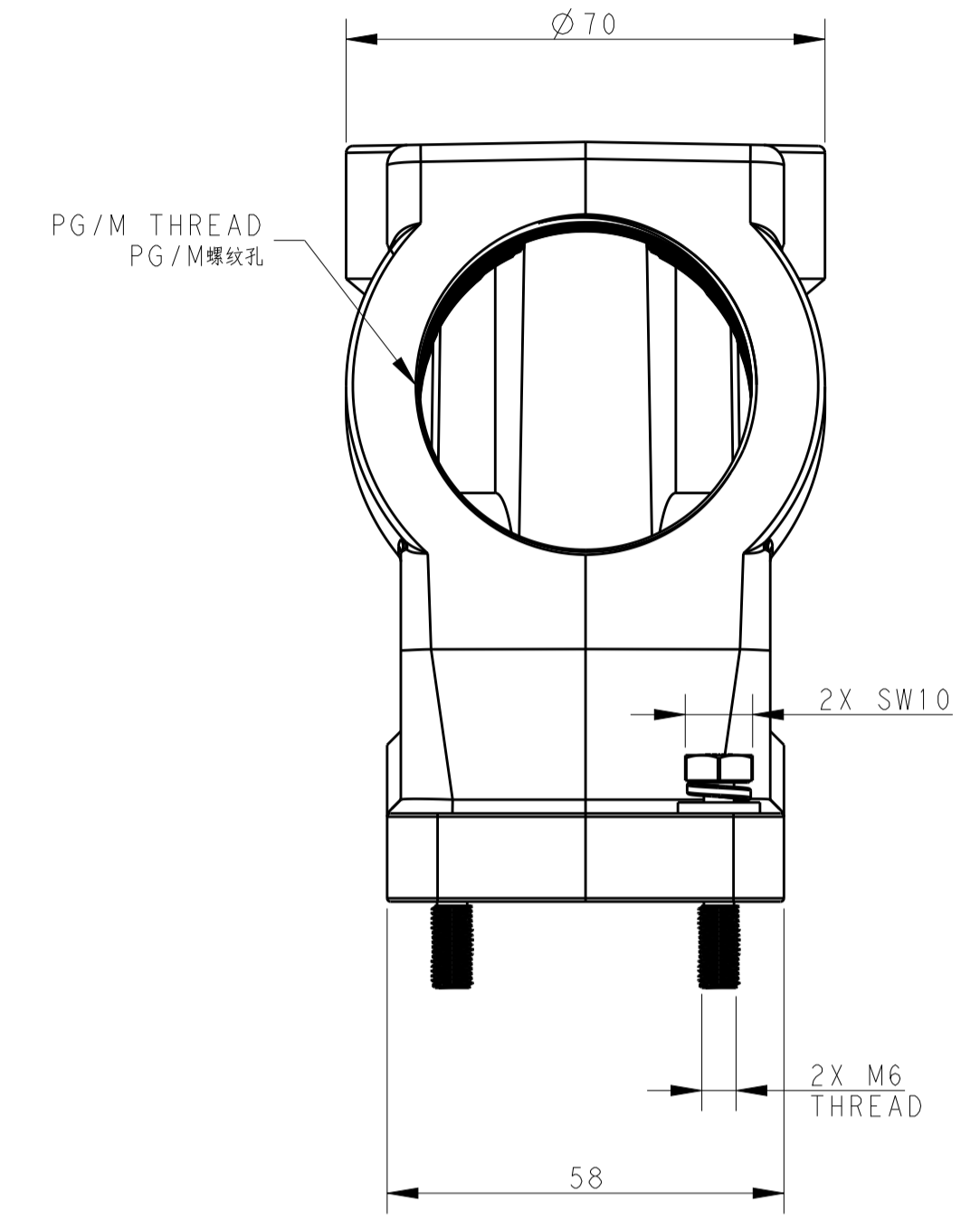
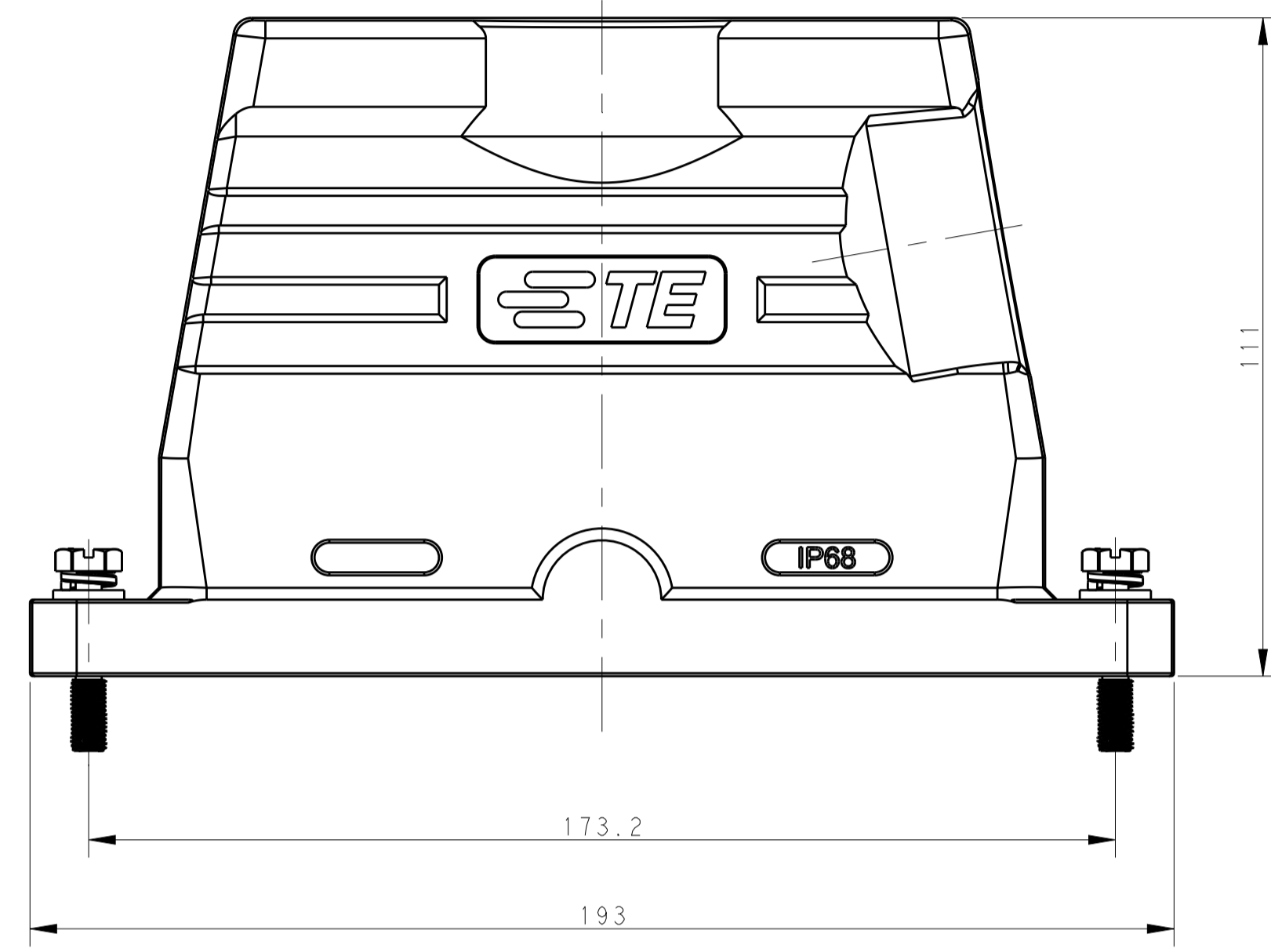
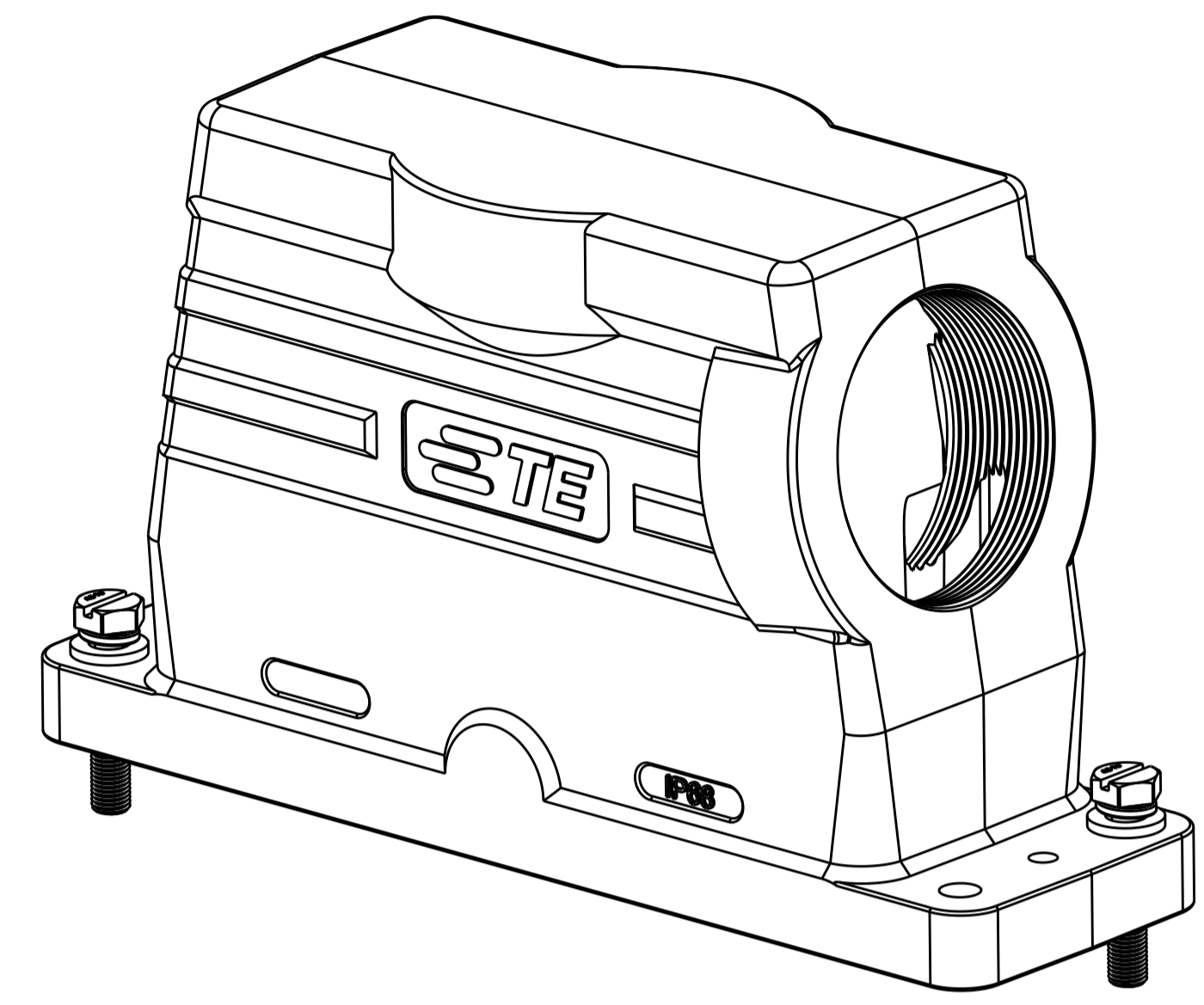
Tel: +86-755-8981 8866 Fax: +86-755-8427 6832

Email & Skype: info@chipsmall.com Web: www.chipsmall.com

Address: A1208, Overseas Decoration Building, #122 Zhenhua RD., Futian, Shenzhen, China

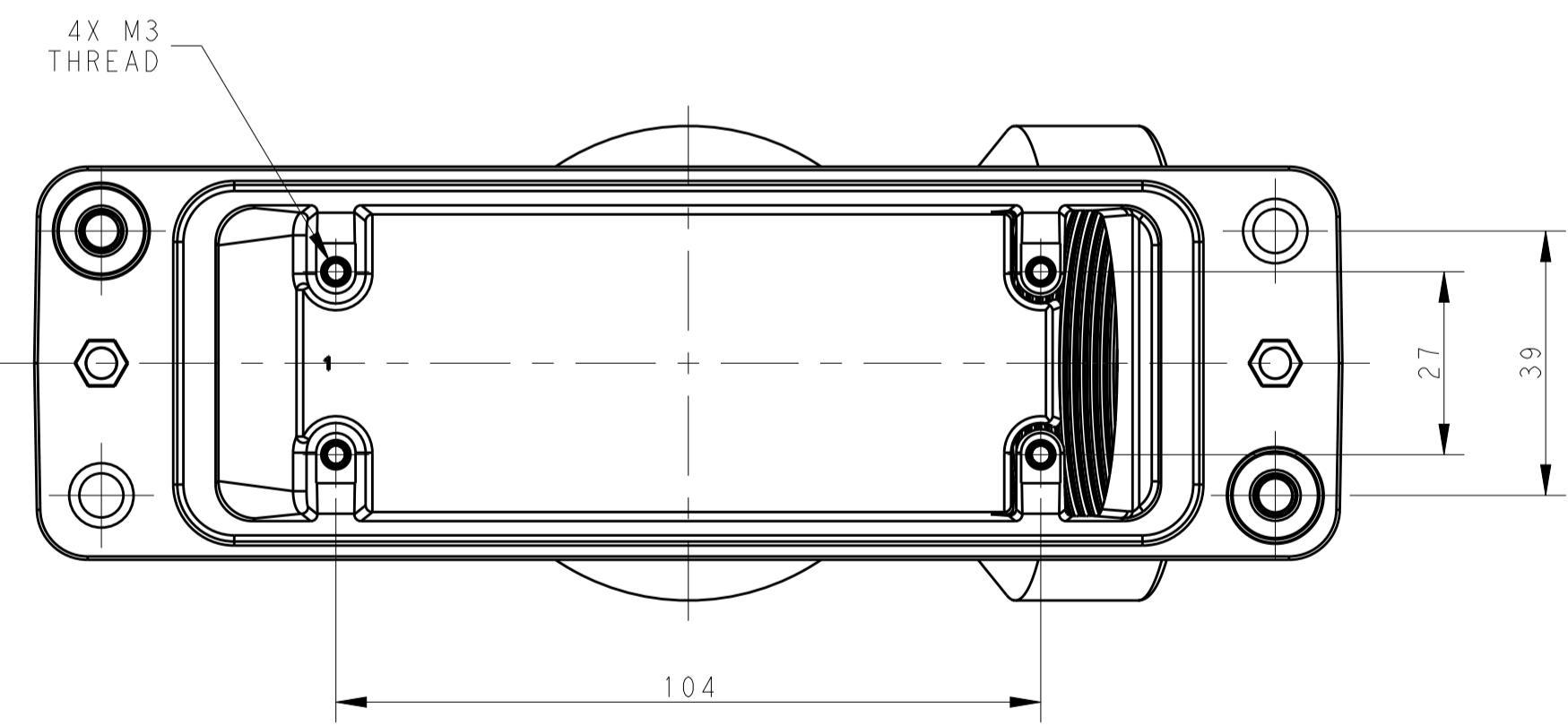


REVISIONS				
P	LTN	DESCRIPTION	DATE	APVD
	A	INITIAL	07JUN2016	RL CW
	A1	ECR-16-012141	30AUG2016	RL CW
	A2	ECR-16-015006	26OCT2016	RL CW



NOTES:
 1. TECHNICAL CHARACTERISTICS:
 HOOD MATERIAL: DIE CAST ALUMINIUM ALLOY
 SURFACE TREATMENT: POWDER COATED, BLACK
 DEGREE OF PROTECTION: IP68 (MATED)

注释:
 1. 技术参数:
 壳体材料: 铝合金
 表面处理: 黑色粉末喷涂
 防护等级: IP68 (配合)



T1916240163-001	H24BPR-TSH-4S-M63	H24BPR HOOD, QUADRANGE LOCKING, SIDE ENTRY M63, POWDER COATED, BLACK H24BPR上壳, 四角锁定, 侧出M63, 黑色粉末喷涂	M63
T1916240150-001	H24BPR-TSH-4S-M50	H24BPR HOOD, QUADRANGE LOCKING, SIDE ENTRY M50, POWDER COATED, BLACK H24BPR上壳, 四角锁定, 侧出M50, 黑色粉末喷涂	M50
T1916240140-001	H24BPR-TSH-4S-M40	H24BPR HOOD, QUADRANGE LOCKING, SIDE ENTRY M40, POWDER COATED, BLACK H24BPR上壳, 四角锁定, 侧出M40, 黑色粉末喷涂	M40
T1916240132-001	H24BPR-TSH-4S-M32	H24BPR HOOD, QUADRANGE LOCKING, SIDE ENTRY M32, POWDER COATED, BLACK H24BPR上壳, 四角锁定, 侧出M32, 黑色粉末喷涂	M32
T1916240148-001	H24BPR-TSH-4S-PG48	H24BPR HOOD, QUADRANGE LOCKING, SIDE ENTRY PG48, POWDER COATED, BLACK H24BPR上壳, 四角锁定, 侧出PG48, 黑色粉末喷涂	PG48
T1916240142-001	H24BPR-TSH-4S-PG42	H24BPR HOOD, QUADRANGE LOCKING, SIDE ENTRY PG42, POWDER COATED, BLACK H24BPR上壳, 四角锁定, 侧出PG42, 黑色粉末喷涂	PG42
T1916240136-001	H24BPR-TSH-4S-PG36	H24BPR HOOD, QUADRANGE LOCKING, SIDE ENTRY PG36, POWDER COATED, BLACK H24BPR上壳, 四角锁定, 侧出PG36, 黑色粉末喷涂	PG36
T1916240129-001	H24BPR-TSH-4S-PG29	H24BPR HOOD, QUADRANGE LOCKING, SIDE ENTRY PG29, POWDER COATED, BLACK H24BPR上壳, 四角锁定, 侧出PG29, 黑色粉末喷涂	PG29
PART NUMBER 料号	PART DESCRIPTION 描述		PG/M THREAD PG/M 螺纹孔

THIS DRAWING IS A CONTROLLED DOCUMENT.		OWN ROY LIU 07JUN2016	TE Connectivity	
DIMENSIONS:		CHK KYLE ZENG 07JUN2016		
mm	TOLERANCES UNLESS OTHERWISE SPECIFIED:	APVD CHRIS WANG 07JUN2016	NAME H24BPR-TSH-4S-PG/M	
0 PLC ± 2 PLC ± 3 PLC ± 4 PLC ± ANGLES ±	± ± ± ± ±	PRODUCT SPEC 108-137014	SIZE A1	
MATERIAL	FINISH	APPLICATION SPEC 114-137014	CAGE CODE DRAWING NO C-T1916240XXX00X	
		WEIGHT	RESTRICTED TO	
		CUSTOMER DRAWING	SCALE 1:1 SHEET 1 OF 1 REV A2	