



Chipsmall Limited consists of a professional team with an average of over 10 year of expertise in the distribution of electronic components. Based in Hongkong, we have already established firm and mutual-benefit business relationships with customers from,Europe,America and south Asia,supplying obsolete and hard-to-find components to meet their specific needs.

With the principle of “Quality Parts,Customers Priority,Honest Operation,and Considerate Service”,our business mainly focus on the distribution of electronic components. Line cards we deal with include Microchip,ALPS,ROHM,Xilinx,Pulse,ON,Everlight and Freescale. Main products comprise IC,Modules,Potentiometer,IC Socket,Relay,Connector.Our parts cover such applications as commercial,industrial, and automotives areas.

We are looking forward to setting up business relationship with you and hope to provide you with the best service and solution. Let us make a better world for our industry!



Contact us

Tel: +86-755-8981 8866 Fax: +86-755-8427 6832

Email & Skype: info@chipsmall.com Web: www.chipsmall.com

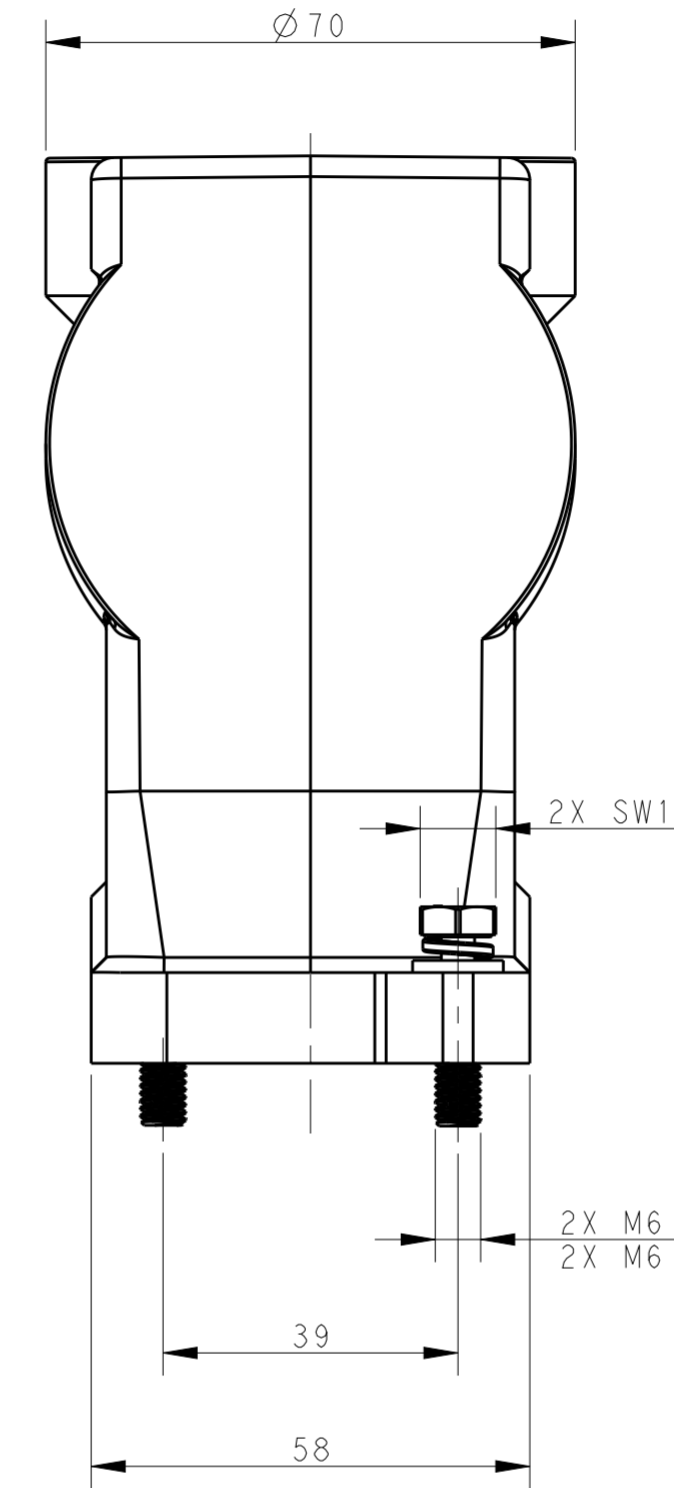
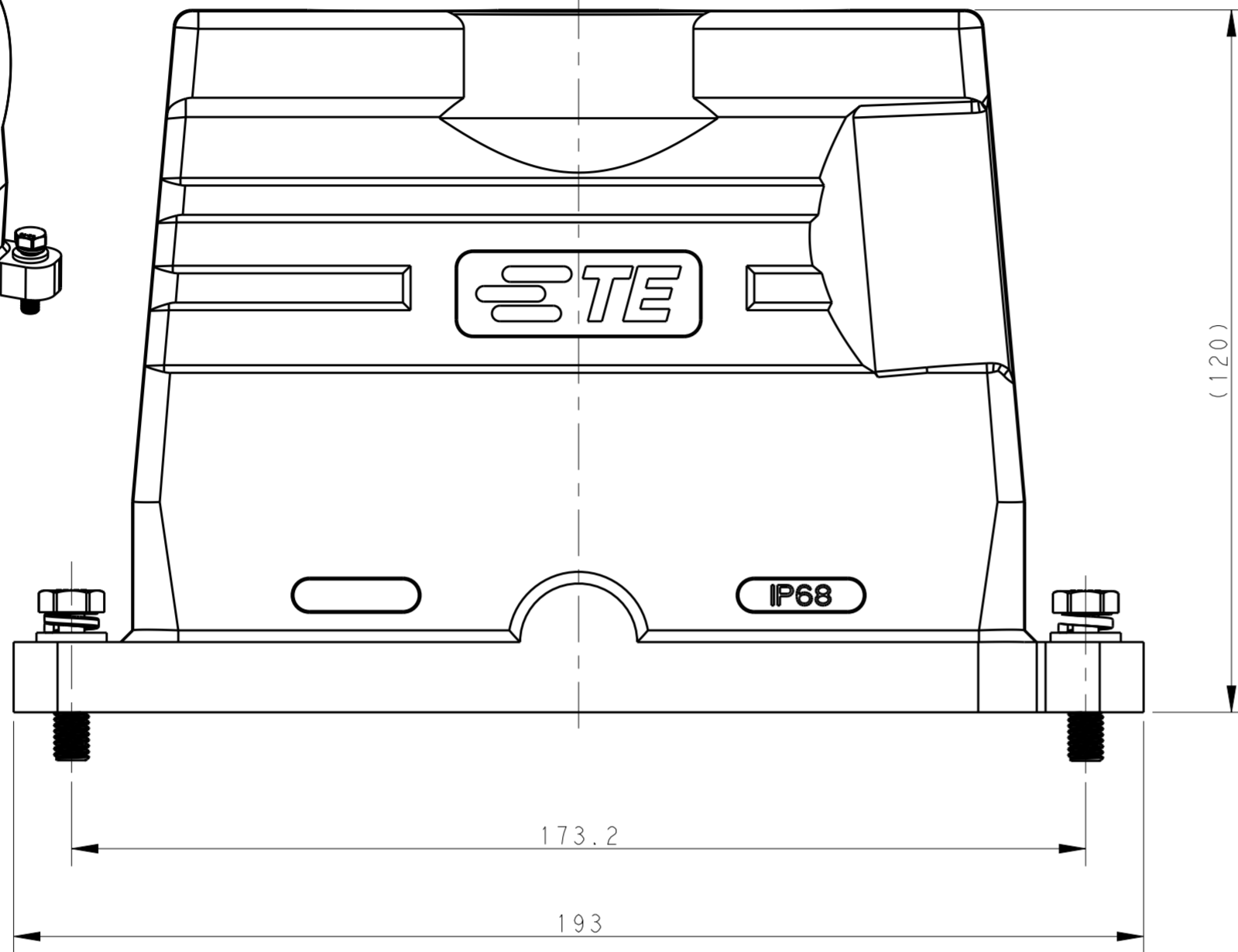
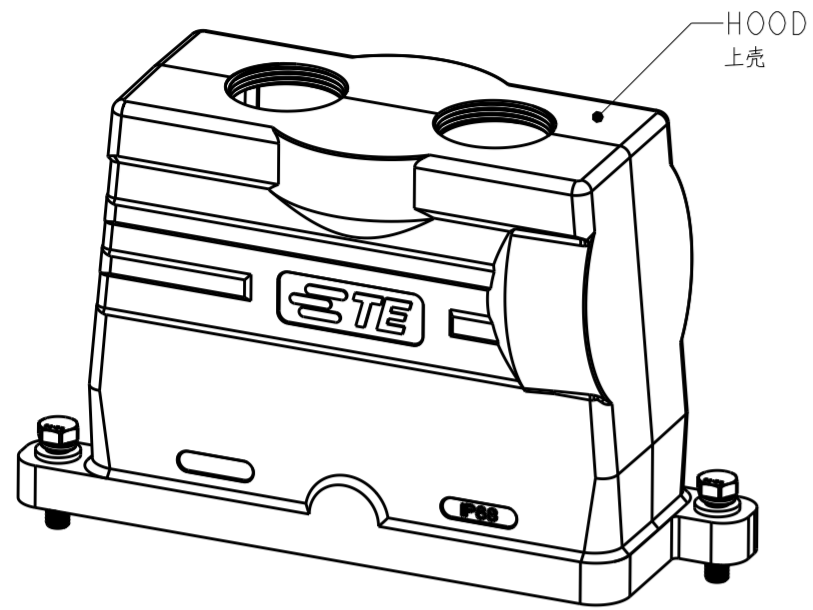
Address: A1208, Overseas Decoration Building, #122 Zhenhua RD., Futian, Shenzhen, China



THIS DRAWING IS UNPUBLISHED. RELEASED FOR PUBLICATION 20
 © COPYRIGHT 20 BY - ALL RIGHTS RESERVED.

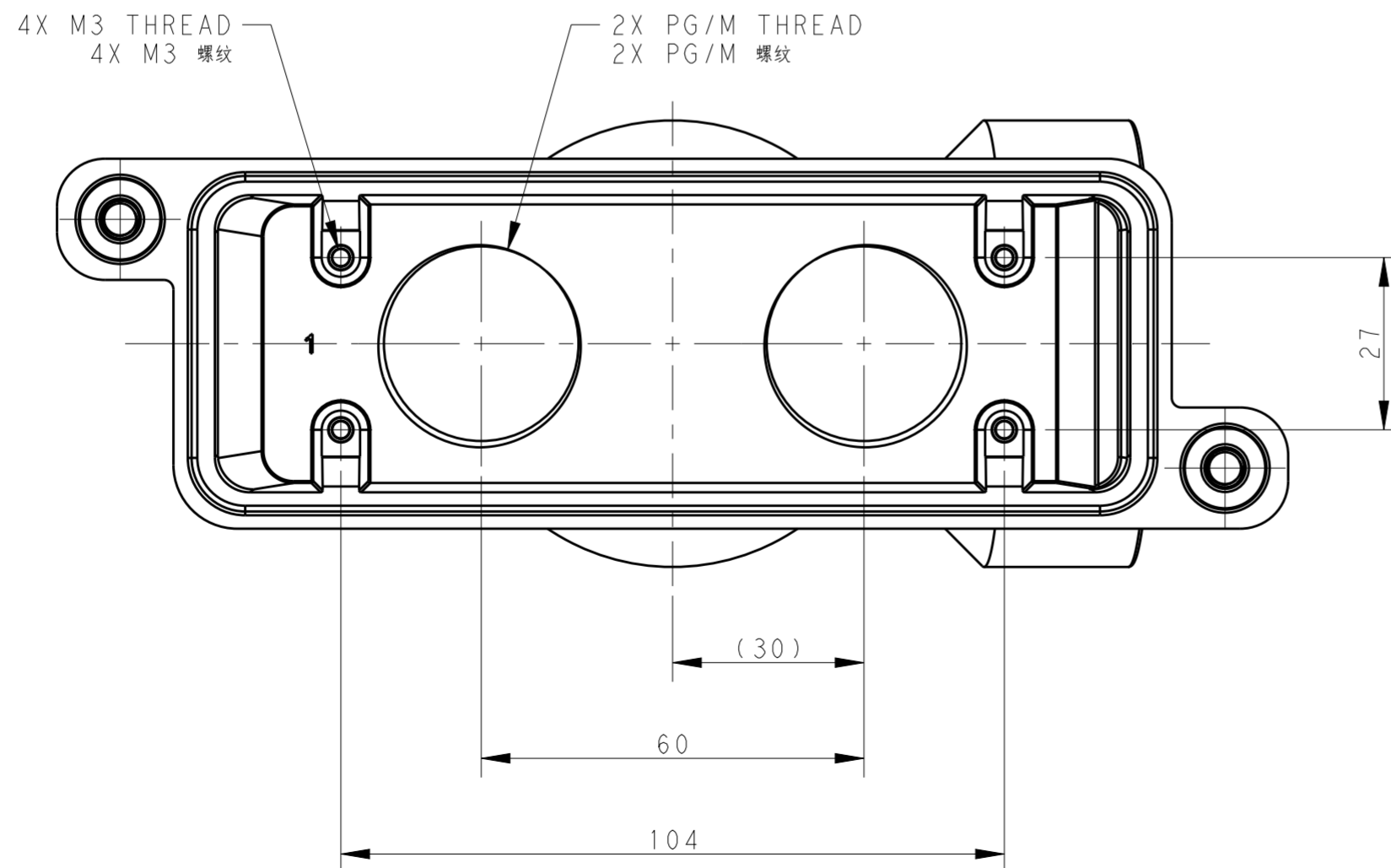
REVISIONS				
P	LTR	DESCRIPTION	DATE	APVD
A		INITIAL RELEASE	24FEB2017	DW CW

TYPE 1: TWO TOP ENTRY
 类型 1: 顶部两个出线孔



NOTES:
 1. TECHNICAL CHARACTERISTICS:
 HOOD MATERIAL: DIE CAST ALUMINIUM ALLOY
 HOOD SURFACE: POWDER COATED, BLACK
 DEGREE OF PROTECTION: IP68 (MATED)

注释:
 1. 技术参数:
 上壳材料: 铝合金
 上壳表面处理: 黑色粉末喷涂
 防护等级: IP68 (配合)



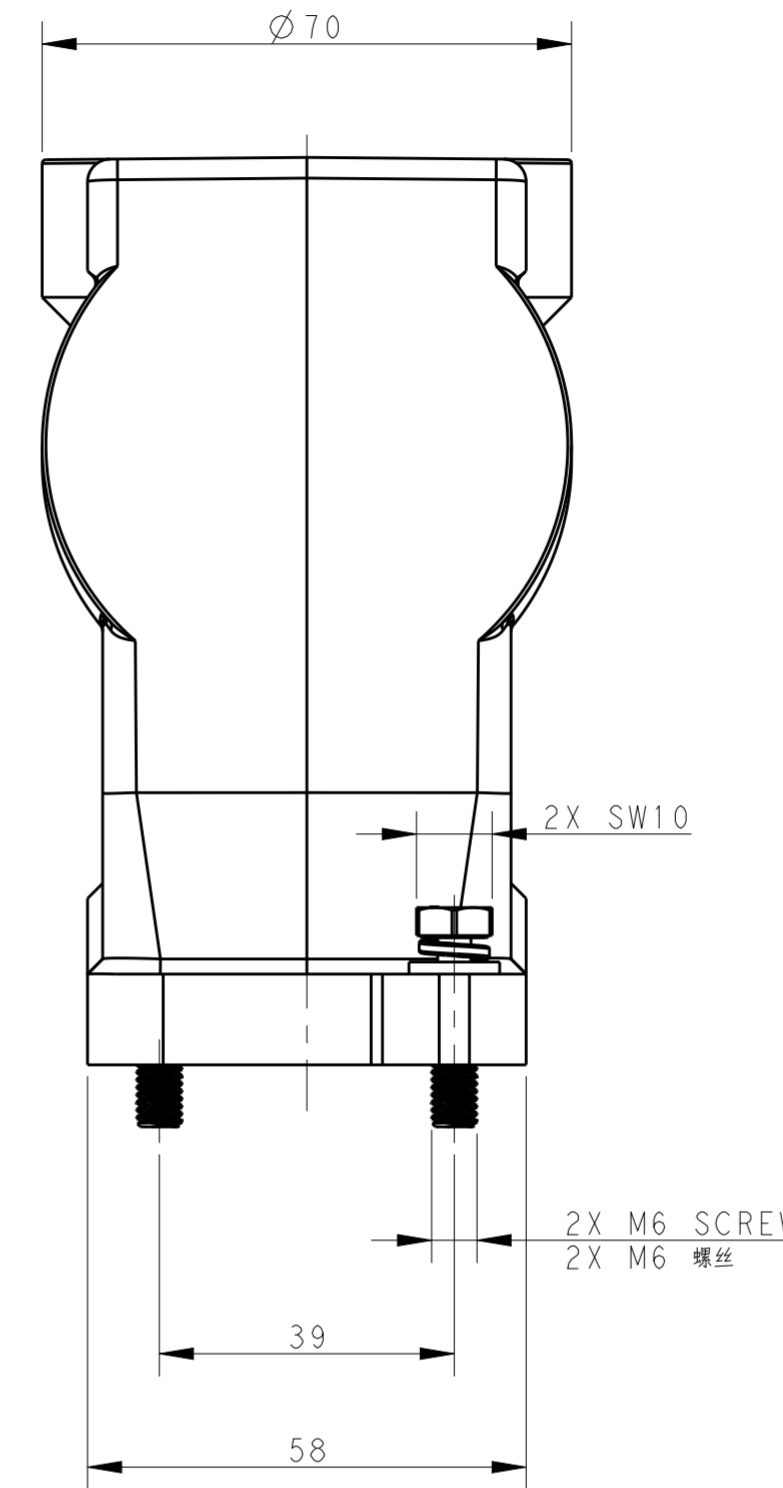
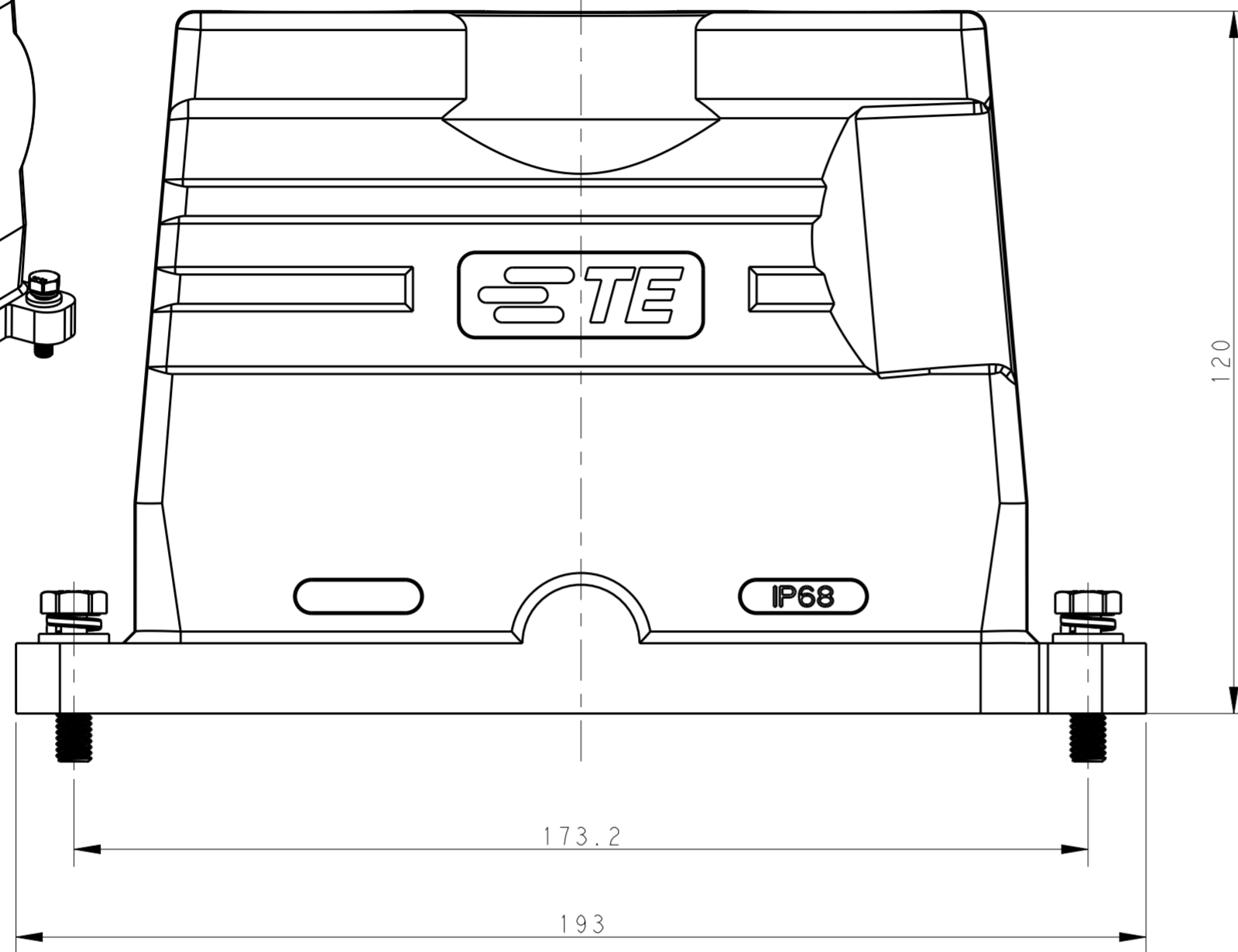
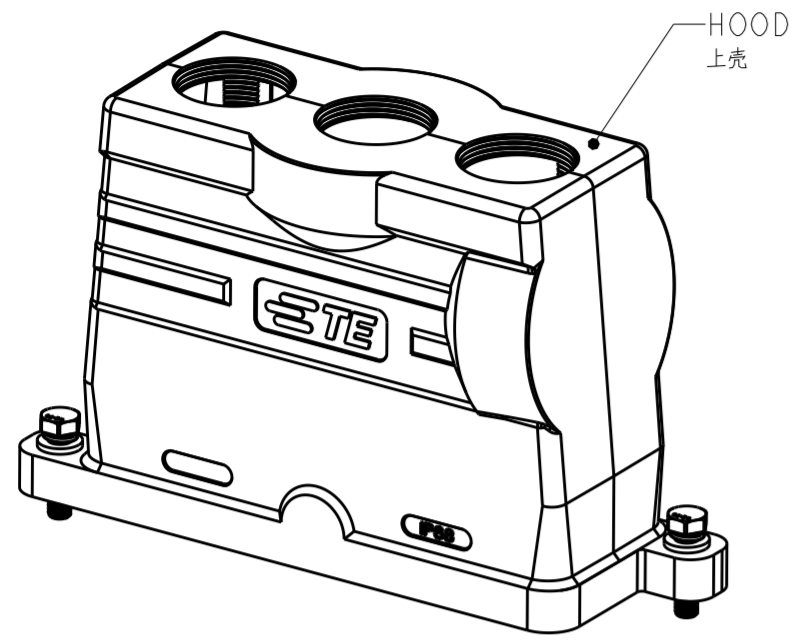
T1920240225-109	H24BPR-TGH-XL-2M25-EMC-C	H24BPR HEIGHTEN HOOD, DIAGONAL LOCKING, TOP ENTRY 2M25, POWDER COATED, BLACK H24BPR加高上壳, 对角锁定, 顶出2M25, 黑色粉末喷涂	M25
T1920240232-109	H24BPR-TGH-XL-2M32-EMC-C	H24BPR HEIGHTEN HOOD, DIAGONAL LOCKING, TOP ENTRY 2M32, POWDER COATED, BLACK H24BPR加高上壳, 对角锁定, 顶出2M32, 黑色粉末喷涂	M32
T1920240240-109	H24BPR-TGH-XL-2M40-EMC-C	H24BPR HEIGHTEN HOOD, DIAGONAL LOCKING, TOP ENTRY 2M40, POWDER COATED, BLACK H24BPR加高上壳, 对角锁定, 顶出2M40, 黑色粉末喷涂	M40
PART NUMBER 料号	PART DESCRIPTION 描述		2X PG/M THREAD 2X PG/M 螺纹孔

THIS DRAWING IS A CONTROLLED DOCUMENT.		DWN 24FEB2017 DAVID WANG	TE Connectivity	
		CHK 24FEB2017 CHIRS WANG		
DIMENSIONS: mm		APVD 24FEB2017 XIANG XU	NAME H24BPR-TGH-XL-XMXX-EMC-C	
TOLERANCES UNLESS OTHERWISE SPECIFIED:		PRODUCT SPEC 108-137191	SIZE A2	
0 PLC ±		APPLICATION SPEC 114-137191	CAGE CODE -	
1 PLC ±		WEIGHT -	DRAWING NO T1920240XXX109	
2 PLC ±		CUSTOMER DRAWING	RESTRICTED TO -	
3 PLC ±		SCALE 1:1	SHEET 1 OF 3	
4 PLC ±			REV A	
ANGLES ±				
FINISH -				

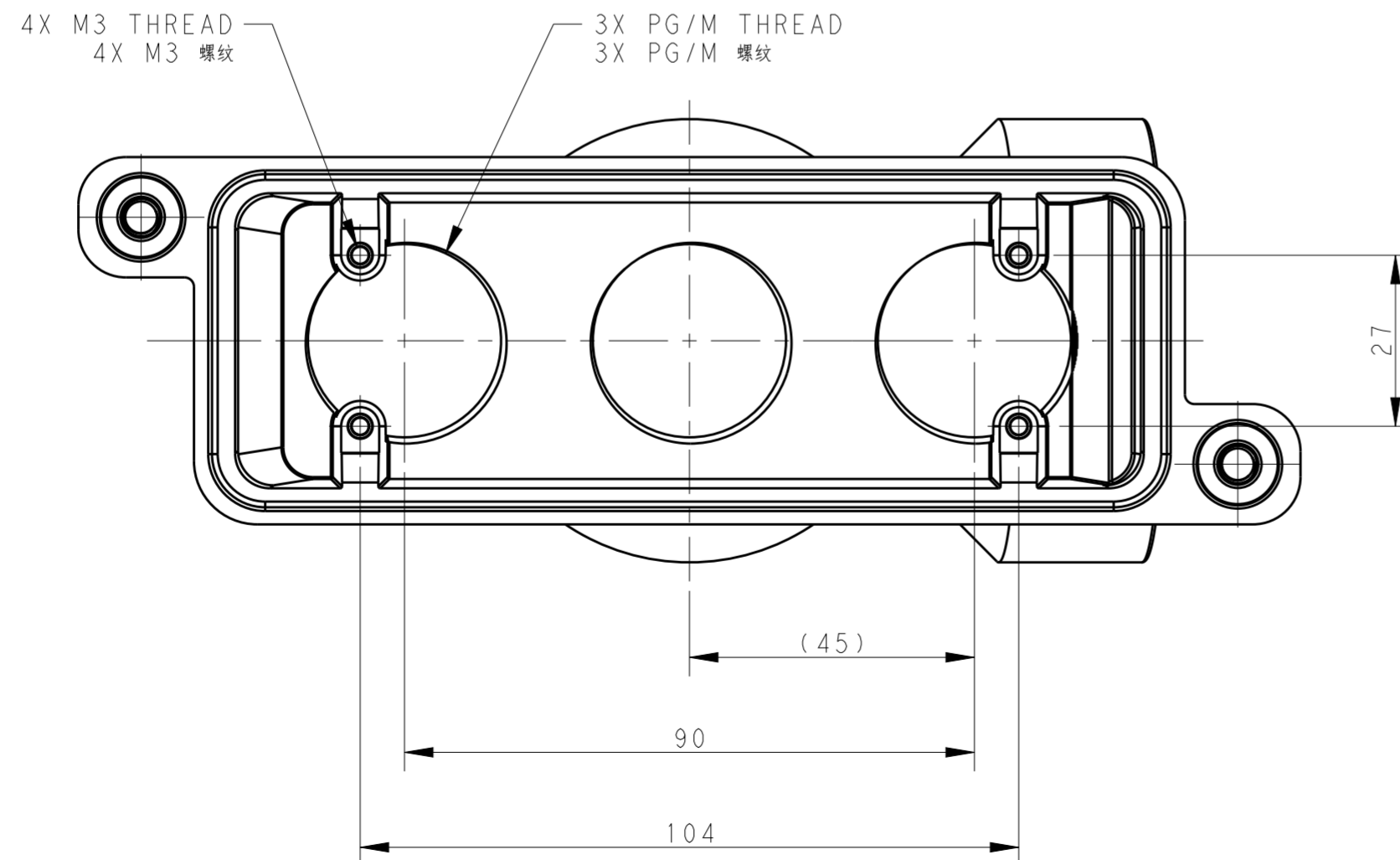
THIS DRAWING IS UNPUBLISHED. RELEASED FOR PUBLICATION 20
 © COPYRIGHT 20 BY - ALL RIGHTS RESERVED.

REVISIONS				
P	LTR	DESCRIPTION	DATE	APVD
-	-	SEE SHEET 1	-	-

TYPE 2: THREE TOP ENTRY
 类型2: 顶部三个出线孔



NOTE:
SEE SHEET 1



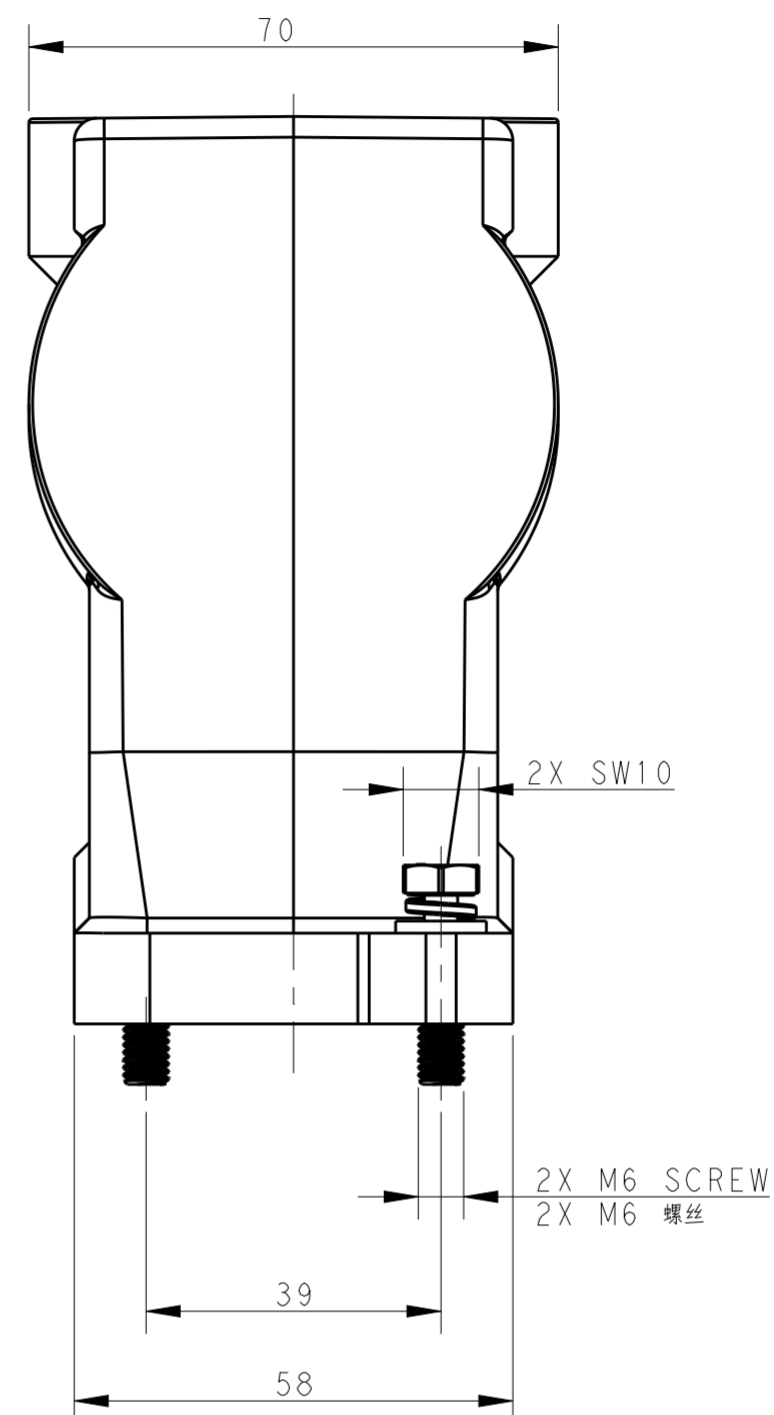
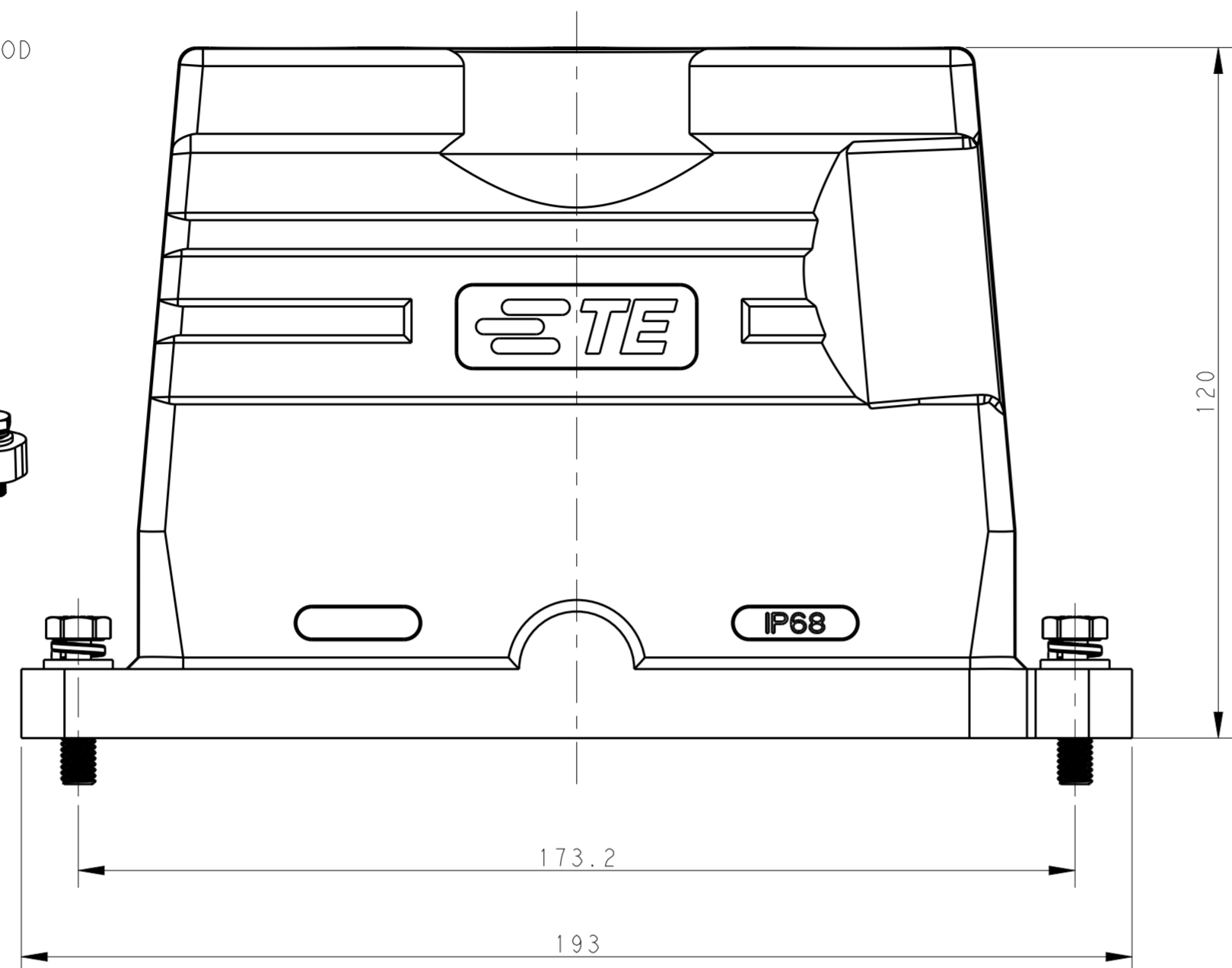
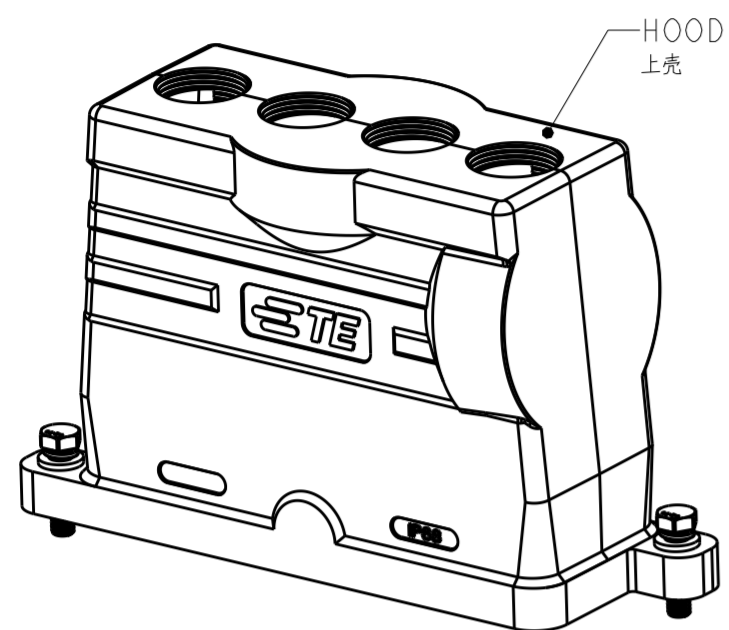
T1920240325-109	H24BPR-TGH-XL-3M25-EMC-C	H24BPR HEIGHTEN HOOD, DIAGONAL LOCKING, TOP ENTRY 3M25, POWDER COATED, BLACK H24BPR 加高上壳, 对角锁定, 顶出3M25, 黑色粉末喷涂	M25
T1920240332-109	H24BPR-TGH-XL-3M32-EMC-C	H24BPR HEIGHTEN HOOD, DIAGONAL LOCKING, TOP ENTRY 3M32, POWDER COATED, BLACK H24BPR 加高上壳, 对角锁定, 顶出3M32, 黑色粉末喷涂	M32
PART NUMBER 料号	PART DESCRIPTION 描述		3X PG/M THREAD 3X PG/M 螺纹孔

THIS DRAWING IS A CONTROLLED DOCUMENT.		DWN 24FEB2017 DAVID WANG	TE Connectivity	
DIMENSIONS: mm		CHK 24FEB2017 CHIRS WANG		
TOLERANCES UNLESS OTHERWISE SPECIFIED:		APVD 24FEB2017 XIANG XU	NAME H24BPR-TGH-XL-XMXX-EMC-C	
0 PLC ±	1 PLC ±	PRODUCT SPEC 108-137191	SIZE A2	CAGE CODE -
2 PLC ±	3 PLC ±	APPLICATION SPEC 114-137191	DRAWING NO G-T1920240XXX109	RESTRICTED TO -
4 PLC ±	ANGLES ±	WEIGHT -	SCALE 1:1	SHEET 2 OF 3
MATERIAL -	FINISH -	CUSTOMER DRAWING	REV A	

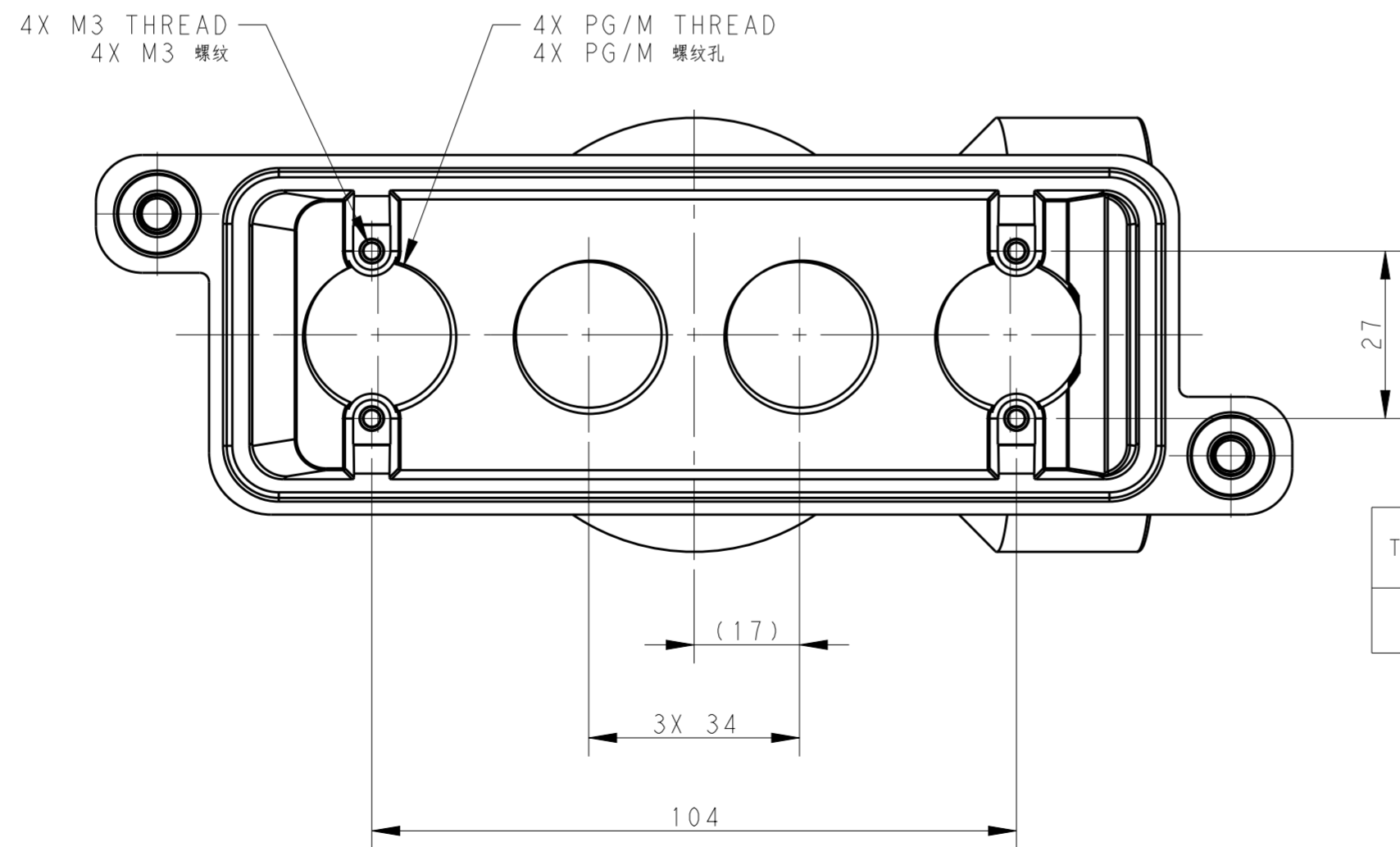
THIS DRAWING IS UNPUBLISHED. RELEASED FOR PUBLICATION 20
 © COPYRIGHT 20 BY - ALL RIGHTS RESERVED.

REVISIONS				
P	LTR	DESCRIPTION	DATE	APVD
-	-	SEE SHEET 1	-	-

TYPE 3: FOUR TOP ENTRY
 类型3: 顶部四个出线孔



NOTE:
SEE SHEET 1



T1920240425-109	H24BPR-TGH-XL-4M25-EMC-C	H24BPR HEIGHTEN HOOD, DIAGONAL LOCKING, TOP ENTRY 4M25, POWDER COATED, BLACK H24BPR 加高上壳, 对角锁定, 顶出4M25, 黑色粉末喷涂	M25
PART NUMBER 料号	PART DESCRIPTION 描述		4X PG/M THREAD 4X PG/M 螺纹孔

THIS DRAWING IS A CONTROLLED DOCUMENT.		DWN 24FEB2017 DAVID WANG	STE TE Connectivity	
		CHK 24FEB2017 CHIRS WANG		
		APVD 24FEB2017 XIANG XU	NAME H24BPR-TGH-XL-XMXX-EMC-C	
DIMENSIONS: mm		PRODUCT SPEC 108-137191	SIZE A2	
TOLERANCES UNLESS OTHERWISE SPECIFIED:		APPLICATION SPEC 114-137191	CAGE CODE -	
0 PLC ±-		WEIGHT -	DRAWING NO. C-T1920240XXX109	
1 PLC ±-		RESTRICTED TO -		
2 PLC ±-		SCALE 1:1		
3 PLC ±-		SHEET 3 OF 3		
4 PLC ±-		REV A		
ANGLES ±-		CUSTOMER DRAWING		
FINISH -				