



Chipsmall Limited consists of a professional team with an average of over 10 year of expertise in the distribution of electronic components. Based in Hongkong, we have already established firm and mutual-benefit business relationships with customers from,Europe,America and south Asia,supplying obsolete and hard-to-find components to meet their specific needs.

With the principle of “Quality Parts,Customers Priority,Honest Operation,and Considerate Service”,our business mainly focus on the distribution of electronic components. Line cards we deal with include Microchip,ALPS,ROHM,Xilinx,Pulse,ON,Everlight and Freescale. Main products comprise IC,Modules,Potentiometer,IC Socket,Relay,Connector.Our parts cover such applications as commercial,industrial, and automotives areas.

We are looking forward to setting up business relationship with you and hope to provide you with the best service and solution. Let us make a better world for our industry!



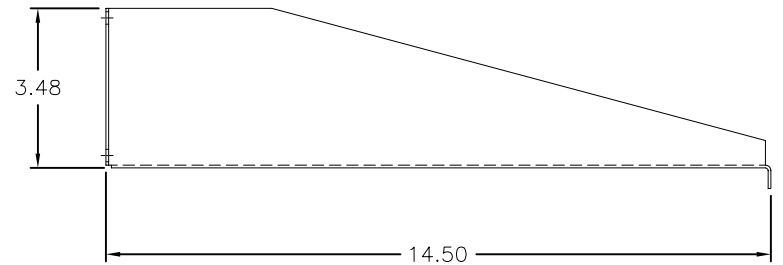
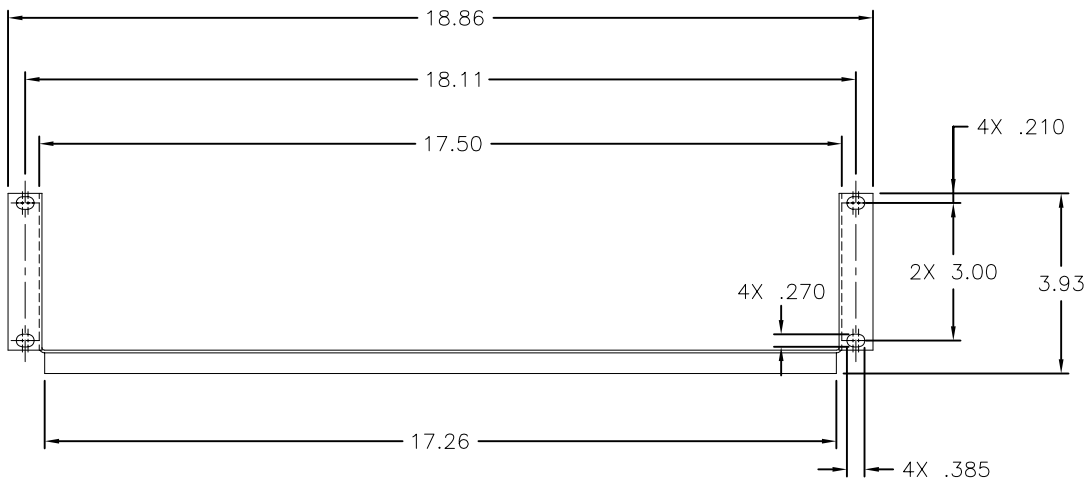
Contact us

Tel: +86-755-8981 8866 Fax: +86-755-8427 6832

Email & Skype: info@chipsmall.com Web: www.chipsmall.com

Address: A1208, Overseas Decoration Building, #122 Zhenhua RD., Futian, Shenzhen, China





REDUCED
NO SCALE

INVENTORS	HellermannTyton.		
	ALL PROPRIETARY RIGHTS IN THE SUBJECT MATTER SHOWN ON THIS DRAWING ARE EXCLUSIVE PROPERTY OF HELLERMANNTYTON		
	name	date	city, state

NOTES	

REVISION	level	01
	date	07/30/02
	by	AAC
	ECN #	003294
	part level	A

DIMENSIONS	.XXXX=	
	.XXX=	±.005
	.XX=	±.01
	.X=	
	∠=	
unless otherwise specified		
units		inches

PART	number	T19X145	phase	PRODUCTION
	name	CANTILEVERED EQUIPMENT SHELF		
	material	16 GA (.0598) CRS INDUSTRIAL BLACK SATIN		
	FORMAT	C	version	M
	computer file number	M:\CST\3008001_01	previous number	
drawn	AAC	checked	K.A.C.	
date	07/30/02	release	08/12/02	
type	CUSTOMER	approved		
number	M13008001CST	sheet	1 of 1	