



Chipsmall Limited consists of a professional team with an average of over 10 year of expertise in the distribution of electronic components. Based in Hongkong, we have already established firm and mutual-benefit business relationships with customers from,Europe,America and south Asia,supplying obsolete and hard-to-find components to meet their specific needs.

With the principle of “Quality Parts,Customers Priority,Honest Operation,and Considerate Service”,our business mainly focus on the distribution of electronic components. Line cards we deal with include Microchip,ALPS,ROHM,Xilinx,Pulse,ON,Everlight and Freescale. Main products comprise IC,Modules,Potentiometer,IC Socket,Relay,Connector.Our parts cover such applications as commercial,industrial, and automotives areas.

We are looking forward to setting up business relationship with you and hope to provide you with the best service and solution. Let us make a better world for our industry!



## Contact us

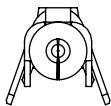
Tel: +86-755-8981 8866 Fax: +86-755-8427 6832

Email & Skype: info@chipsmall.com Web: www.chipsmall.com

Address: A1208, Overseas Decoration Building, #122 Zhenhua RD., Futian, Shenzhen, China



DO NOT SCALE FROM THIS PRINT



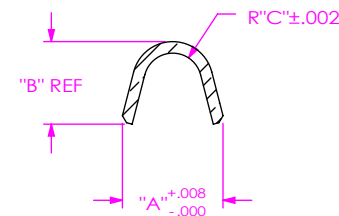
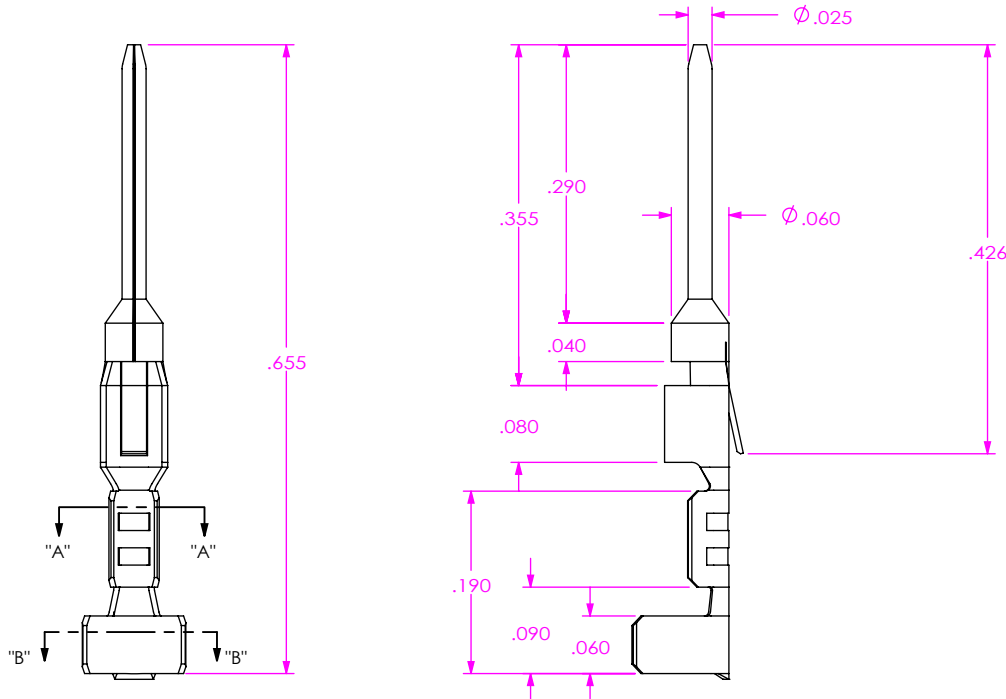
ALL DIMENSIONS ARE REFERENCE  
(SEE T-1M74-X-XX-X FOR CONTROL PRINT)

T1M74-X-XX-X

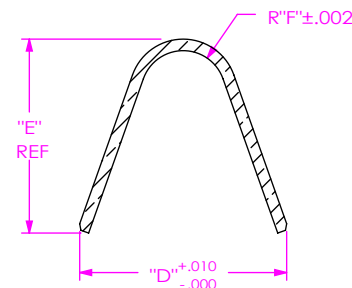
SUPPLIED  
-L: LOOSE  
-R: REEL

PLATING SPECIFICATION  
-F: FLASH SELECTIVE GOLD  
-L: LIGHT SELECTIVE GOLD  
-S: SELECTIVE GOLD

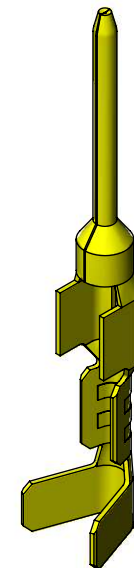
LEAD STYLE  
-01: 26-30 AWG  
-02: 20-24 AWG  
-03: 28-30 AWG (PTFE/FEP)



SECTION "A"-"A"  
SCALE 10:1



SECTION "B"-"B"  
SCALE 10:1



STYLE	"A"	"B"	"C"	"D"	"E"	"F"
-01	.052	.043	.015	.077	.071	.025
-02	.075	.065	.018	.108	.101	.030
-03	.052	.043	.015	.077	.055	.016

UNLESS OTHERWISE SPECIFIED, DIMENSIONS ARE IN INCHES.  
TOLERANCES ARE:  
DECIMALS ANGLES  
.XX: ±.01 2°  
.XXX: ±.005  
.XXXX: ±.0020

**PROPRIETARY NOTE**  
\* THIS DOCUMENT CONTAINS CONFIDENTIAL AND PROPRIETARY INFORMATION AND ALL DESIGN, MANUFACTURING, REPRODUCTION, USE, PATENT RIGHTS AND SALES RIGHTS ARE EXPRESSLY RESERVED BY SAMTEC, INC. THIS DOCUMENT SHALL NOT BE DISCLOSED, IN WHOLE OR PART, TO ANY UNAUTHORIZED PERSON OR ENTITY NOR REPRODUCED, TRANSFERRED OR INCORPORATED IN ANY OTHER PROJECT IN ANY MANNER WITHOUT THE EXPRESS WRITTEN CONSENT OF SAMTEC, INC.

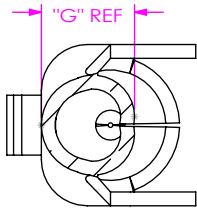


520 PARK EAST BLVD, NEW ALBANY, IN 47150  
PHONE: 812-944-6733 FAX: 812-948-5047  
e-Mail: info@SAMTEC.com code: 55322

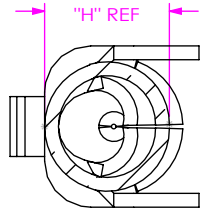
**MATERIAL:** DO NOT SCALE DRAWING SHEET SCALE: 2:1  
PHOS BRONZE  
THICKNESS: .0060±.0003

**DESCRIPTION:**  
.100" C.L. DISCRETE WIRE TERMINAL

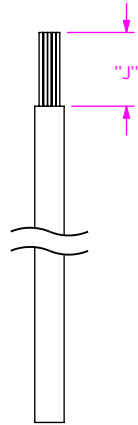
**DWG. NO.**  
T1M74-X-XX-X



WIRE CRIMP  
SCALE 16:1



INSULATION CRIMP  
SCALE 16:1

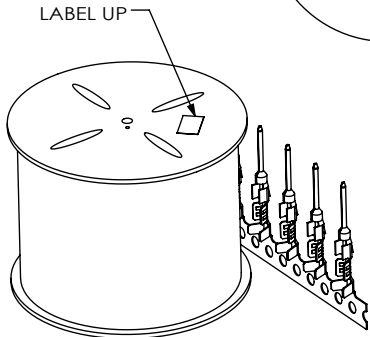
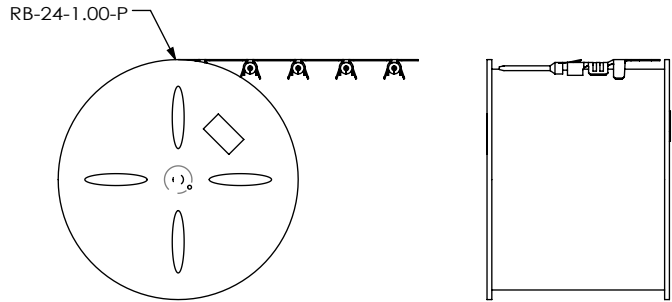


INSULATOR STRIP LENGTH

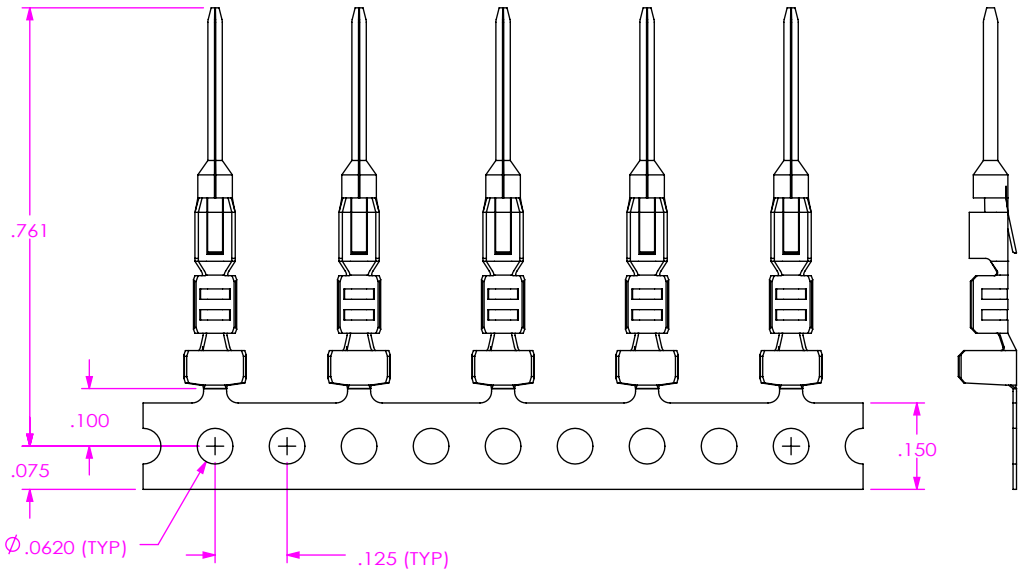
TABLE 2									
P/N	AWG	STRANDS / AWG	INSULATION OD	"G"	"H"	"J"	VESTIGE LENGTH	TAB LENGTH	PULL FORCE (LBS)
T-1M74-X-01-X	30	7/38	0.029-0.035	.0200	.0330	.128	.0020	.0100	1.5
	28	7/36	0.032-0.038	.0210	.0330	.128	.0020	.0100	2
	26	7/34	0.048-0.054	.0230	.0330	.128	.0020	.0100	3
T-1M74-X-02-X	24	7/32	0.053-0.059	.0270	.0430	.128	.0020	.0100	5
	24T	7/32	0.053-0.059	.0270	.0430	.128	.0020	.0100	5
	22	7/30	0.059-0.065	.0310	.0430	.128	.0020	.0100	8
	20	7/28	0.066-0.072	.0380	.0430	.128	.0020	.0100	13
	20T	7/28	0.066-0.072	.0380	.0430	.128	.0020	.0100	13
T-1M74-X-03-X	30T	7/36	0.029-0.035	.0200	.0330	.128	.0020	.0100	1.5
	28T	7/36	0.032-0.038	.0220	.0330	.128	.0020	.0100	2

REEL SPECIFICATIONS

PLATED T1M74 PARTS ARE TO BE UNWOUND THEN REWOUND AND COUNTED.  
 15,300+100/-0 PCS POSITIONED AS SHOWN ON SAMTEC REEL WITH VIEWPORTS.  
 LABELED T1M74 WITH APPROPRIATE PLATE CALL OUT AND LABEL PLACED AS SHOWN.  
 MAXIMUM OF 2 SPLICES PER REEL, SPLICES ARE NOT TO BE CONNECTED.  
 NUMBER OF SPLICES TO BE MARKED ON EACH REEL.  
 REELED PARTS TO BE INTERLEAVED WITH PAPER BETWEEN EACH LAYER OF PARTS.  
 SECURELY CONNECT INTERLEAF SPLICE.  
 OUTER WRAP SHALL RECEIVE RB-24-1.00-P PROTECTIVE REEL BAND.



CARRIER SPECIFICATIONS



PROPRIETARY NOTE

THIS DOCUMENT CONTAINS CONFIDENTIAL AND PROPRIETARY INFORMATION AND ALL DESIGN, MANUFACTURING, REPRODUCTION, USE, PATENT RIGHTS AND SALES RIGHTS ARE EXPRESSLY RESERVED BY SAMTEC, INC. THIS DOCUMENT SHALL NOT BE DISCLOSED, IN WHOLE OR PART, TO ANY UNAUTHORIZED PERSON OR ENTITY NOR REPRODUCED, TRANSFERRED OR INCORPORATED IN ANY OTHER PROJECT IN ANY MANNER WITHOUT THE EXPRESS WRITTEN CONSENT OF SAMTEC, INC.

DO NOT SCALE DRAWING

SHEET SCALE: 4:1



520 PARK EAST BLVD, NEW ALBANY, IN 47150  
 PHONE: 812-944-6733 FAX: 812-948-5047  
 e-Mail: info@SAMTEC.com code: 55322

DESCRIPTION: .100" C.L. DISCRETE WIRE TERMINAL

DWG. NO. T1M74-X-XX-X

BY: VICKY Z 01/13/2010 SHEET 2 OF 2