



Chipsmall Limited consists of a professional team with an average of over 10 year of expertise in the distribution of electronic components. Based in Hongkong, we have already established firm and mutual-benefit business relationships with customers from,Europe,America and south Asia,supplying obsolete and hard-to-find components to meet their specific needs.

With the principle of "Quality Parts,Customers Priority,Honest Operation,and Considerate Service",our business mainly focus on the distribution of electronic components. Line cards we deal with include Microchip,ALPS,ROHM,Xilinx,Pulse,ON,Everlight and Freescale. Main products comprise IC,Modules,Potentiometer,IC Socket,Relay,Connector.Our parts cover such applications as commercial,industrial, and automotives areas.

We are looking forward to setting up business relationship with you and hope to provide you with the best service and solution. Let us make a better world for our industry!



Contact us

Tel: +86-755-8981 8866 Fax: +86-755-8427 6832

Email & Skype: info@chipsmall.com Web: www.chipsmall.com

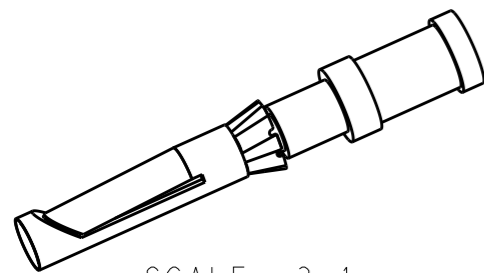
Address: A1208, Overseas Decoration Building, #122 Zhenhua RD., Futian, Shenzhen, China



THIS DRAWING IS UNPUBLISHED. RELEASED FOR PUBLICATION 20
 © COPYRIGHT 20 BY - ALL RIGHTS RESERVED.

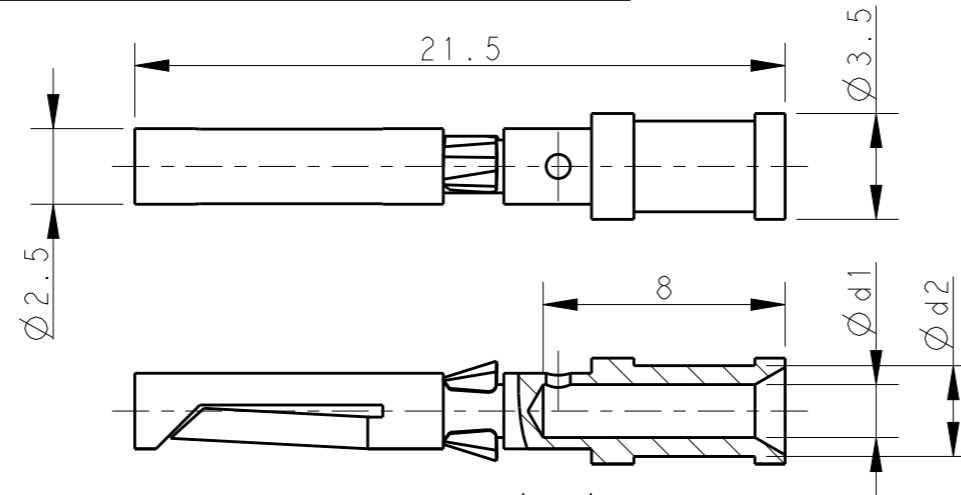
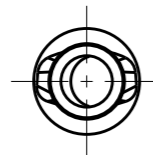
REVISIONS

P	LTR	DESCRIPTION	DATE	DWN	APVD
	A	INITIAL	22NOV2014	DW	CW
	A1	ECR-15-004312	19MAR2015	DW	CW
	A2	ECR-15-010519	20JUN2015	DW	CW
	A3	ECR-17-014183	27SEP2017	DW	CW



SCALE 3:1

1) $\phi d1=0.90, 1.10, 1.30, 1.45, 1.75$

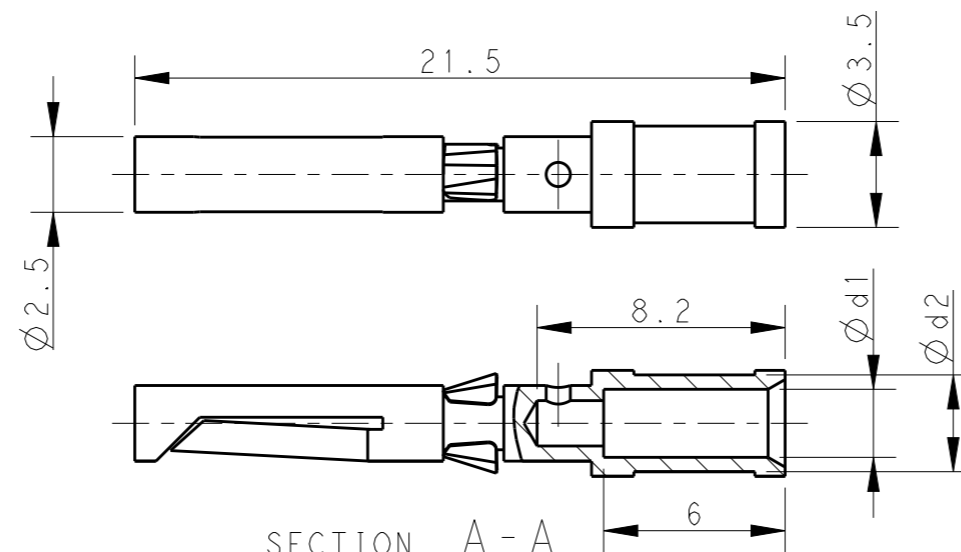
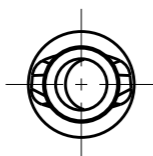


SECTION A-A

NOTES:
 1. TECHNICAL CHARACTERISTICS:
 SOCKET CONTACT MATERIAL: BRASS
 SURFACE PLATING:
 SILVER PLATING: $\geq 2\mu m$
 GOLD PLATING: $\geq 0.75\mu m$
 CONTACT RESISTANCE: $\leq 5 m\Omega$
 WIRE RANGE: 0.14-2.5 mm² (26-14 AWG)
 OPERATION TEMPERATURE: -40-+125°C

注释:
 1. 技术参数:
 母针材料: 黄铜
 表面电镀:
 镀银: $\geq 2\mu m$
 镀金: $\geq 0.75\mu m$
 接触电阻: $\leq 5 m\Omega$
 接线范围: 0.14-2.5 mm² (26-14 AWG)
 工作温度: -40-+125°C

2) $\phi d1=2.25$



SECTION A-A

SILVER PLATING 镀银			GOLD PLATING 镀金			$\phi d1$	$\phi d2$	WIRE GAUGE 线规		STRIPPING LENGTH 剥线长度 (mm)
PART NUMBER 料号	PART DESCRIPTION 描述		PART NUMBER 料号	PART DESCRIPTION 描述				MM ²	AWG	
T2020002002-000	CDF-0.3	CDF-0.3, SILVER PLATING DD母针 0.14-0.37mm ² , 镀银	T2020012002-000	DDF-0.3	DDF-0.3, GOLD PLATING DD母针 0.14-0.37mm ² , 镀金	0.90	2.55	0.14-0.37	26-22	8
T2020002005-000	CDF-0.5	CDF-0.5, SILVER PLATING DD母针 0.5mm ² , 镀银	T2020012005-000	DDF-0.5	DDF-0.5, GOLD PLATING DD母针 0.5mm ² , 镀金	1.10	2.60	0.5	20	
T2020002008-000	CDF-0.75	CDF-0.75, SILVER PLATING DD母针 0.75mm ² , 镀银	T2020012008-000	DDF-0.75	DDF-0.75, GOLD PLATING DD母针 0.75mm ² , 镀金	1.30	2.60	0.75	18	
T2020002010-000	CDF-1.0	CDF-1.0, SILVER PLATING DD母针 1.0mm ² , 镀银	T2020012010-000	DDF-1.0	DDF-1.0, GOLD PLATING DD母针 1.0mm ² , 镀金	1.45	2.60	1.0	18	
T2020002015-000	CDF-1.5	CDF-1.5, SILVER PLATING DD母针 1.5mm ² , 镀银	T2020012015-000	DDF-1.5	DDF-1.5, GOLD PLATING DD母针 1.5mm ² , 镀金	1.75	3.00	1.5	16	
T2020002025-000	CDF-2.5	CDF-2.5, SILVER PLATING DD母针 2.5mm ² , 镀银	T2020012025-000	DDF-2.5	DDF-2.5, GOLD PLATING DD母针 2.5mm ² , 镀金	2.25	3.20	2.5	14	6.2

THIS DRAWING IS A CONTROLLED DOCUMENT.

DIMENSIONS: mm	TOLERANCES UNLESS OTHERWISE SPECIFIED: 0 PLC \pm - 1 PLC \pm - 2 PLC \pm - 3 PLC \pm - 4 PLC \pm - ANGLES \pm -
MATERIAL	FINISH

DWN	22NOV2014	David Wang
CHK	22NOV2014	Chris Wang
APVD	22NOV2014	Xiang Xu
PRODUCT SPEC	108-137042	
APPLICATION SPEC	114-137042	
WEIGHT	-	
Customer Drawing		



NAME CDF/DDF HD/HDD SOCKET CONTACT			
SIZE	CAGE CODE	DRAWING NO	RESTRICTED TO
A3	00779	T20200X20XX000	-
SCALE 4:1		SHEET 1 OF 1	REV A3