



Chipsmall Limited consists of a professional team with an average of over 10 year of expertise in the distribution of electronic components. Based in Hongkong, we have already established firm and mutual-benefit business relationships with customers from,Europe,America and south Asia,supplying obsolete and hard-to-find components to meet their specific needs.

With the principle of “Quality Parts,Customers Priority,Honest Operation,and Considerate Service”,our business mainly focus on the distribution of electronic components. Line cards we deal with include Microchip,ALPS,ROHM,Xilinx,Pulse,ON,Everlight and Freescale. Main products comprise IC,Modules,Potentiometer,IC Socket,Relay,Connector.Our parts cover such applications as commercial,industrial, and automotives areas.

We are looking forward to setting up business relationship with you and hope to provide you with the best service and solution. Let us make a better world for our industry!



Contact us

Tel: +86-755-8981 8866 Fax: +86-755-8427 6832

Email & Skype: info@chipsmall.com Web: www.chipsmall.com

Address: A1208, Overseas Decoration Building, #122 Zhenhua RD., Futian, Shenzhen, China

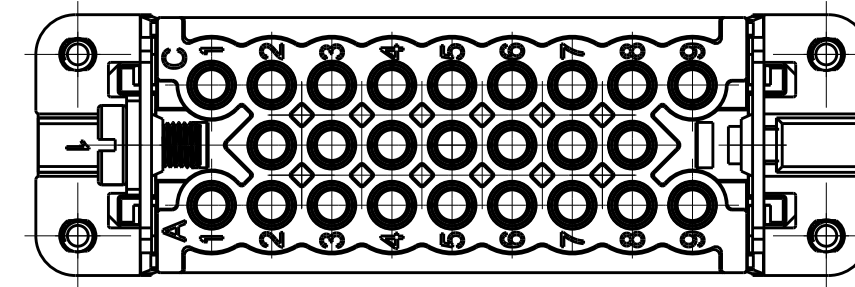
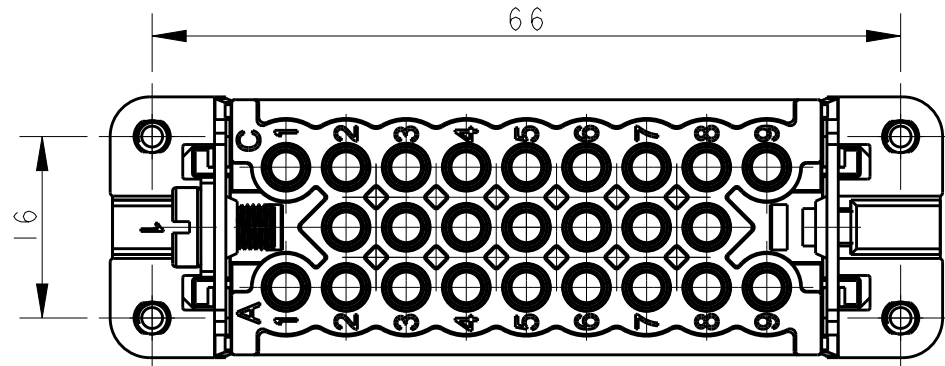
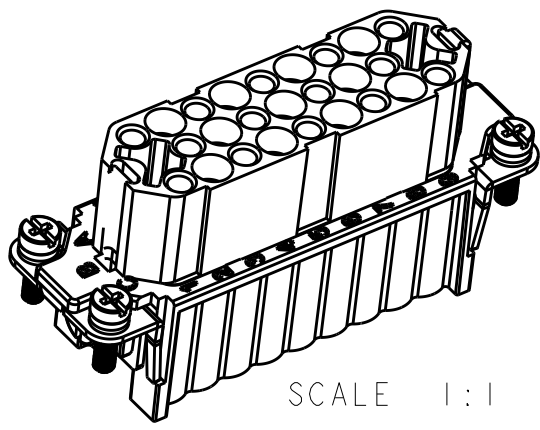


THIS DRAWING IS UNPUBLISHED. RELEASED FOR PUBLICATION 20
 © COPYRIGHT 20 BY - ALL RIGHTS RESERVED.

REVISIONS				
P	LTR	DESCRIPTION	DATE	APVD
A		INITIAL RELEASE	16DEC2015	DL CW
B		ECR-15-013292	24SEP2015	DL CW
B1		ECR-16-011552	11AUG2016	QY CW
B2		ECR-17-004602	01APR2017	CH CW

TYPT-1/类型-1

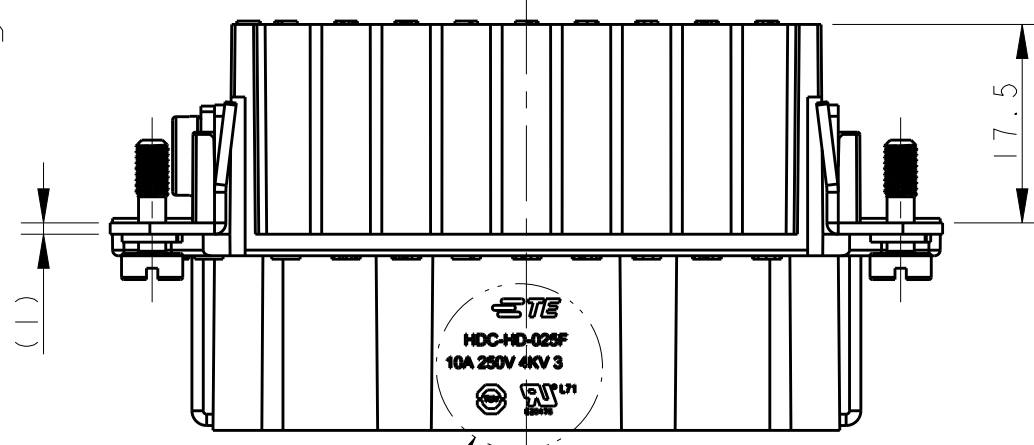
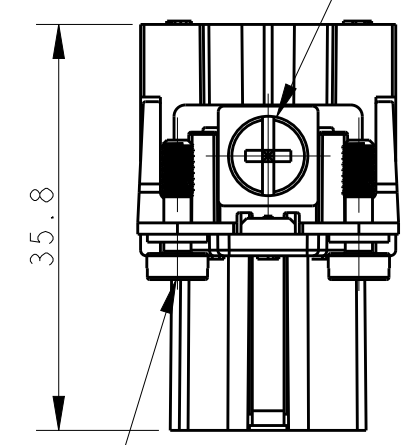
TYPT-2/类型-2



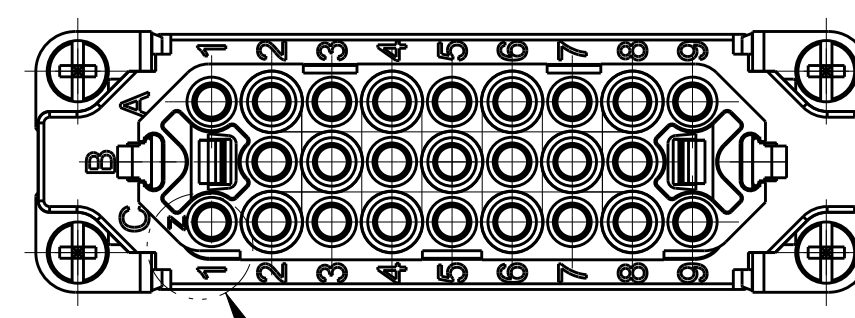
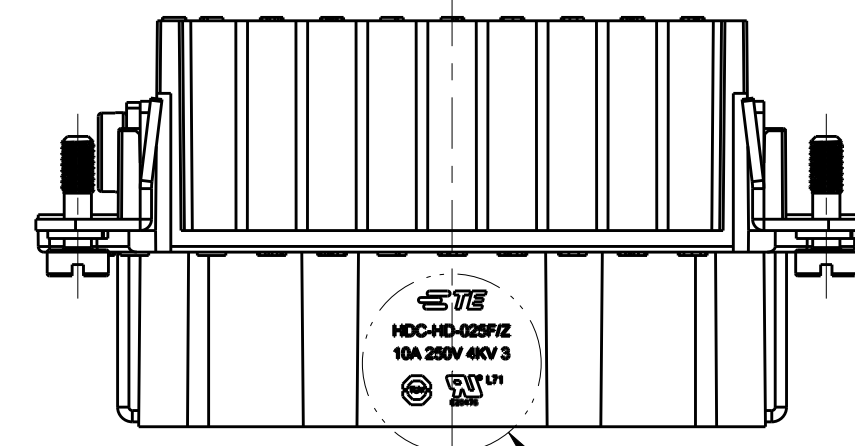
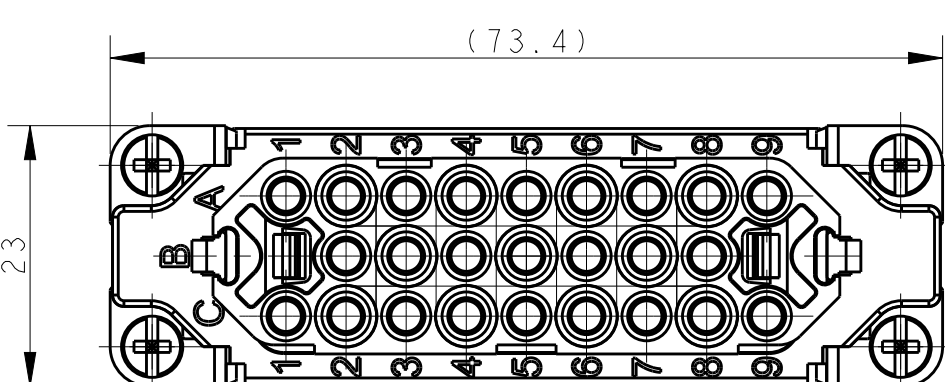
NOTES:
 1. TECHNICAL CHARACTERISTICS:
 INSULATION MATERIAL: PC
 RATED VOLTAGE: 250 V
 RATED CURRENT: 10 A
 INSULATION RESISTANCE: >=400MΩ
 RATED IMPULSE VOLTAGE: 4 KV
 POLLUTION DEGREE: 3
 FLAMMABILITY: UL94V-0
 MATING CYCLES: 500 CYCLES
 WIRE RANGE: 0.14-2.5 mm² (26-14 AWG)
 CONTACT TYPE: CRIMP CONTACT
 2. CONTACT NEED TO BE ORDERED SEPARATELY.
 (ORDER No. REFER TO DRAWING:T20200X20XX000)

注释:
 1. 技术参数:
 绝缘材料: PC
 额定电压: 250V
 额定电流: 10A
 绝缘电阻: >=400MΩ
 额定脉冲电压: 4 KV
 污染等级: 3
 阻燃等级: UL94V-0
 插拔次数: 500次
 接线范围: 0.14-2.5 mm² (26-14 AWG)
 接线类型: 冷压接
 2. 端子需要单独订购。
 (订货号参考图面: T20200X20XX000)

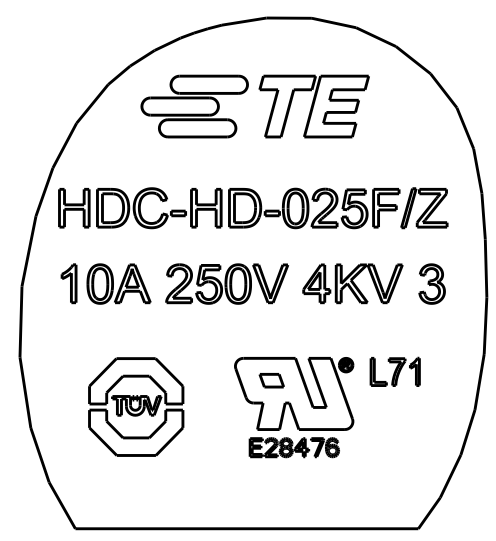
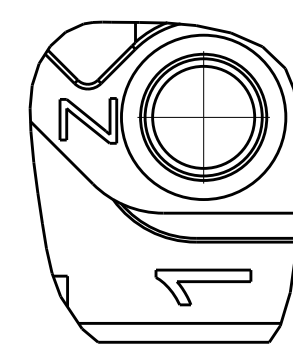
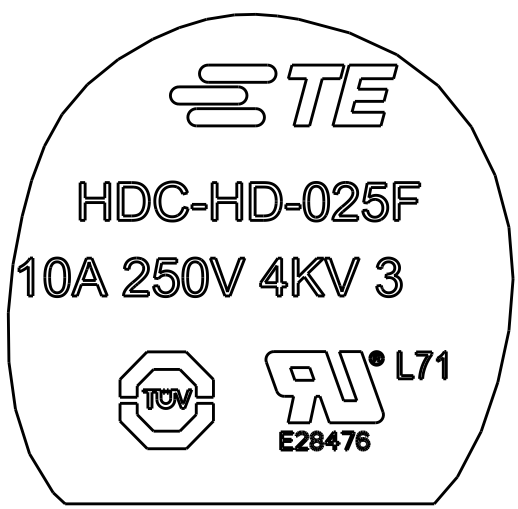
M4 SCREW
 RECOMMENDED
 TIGHTENING
 TORQUE 1.2Nm
 M4螺丝
 推荐锁紧力矩 1.2Nm



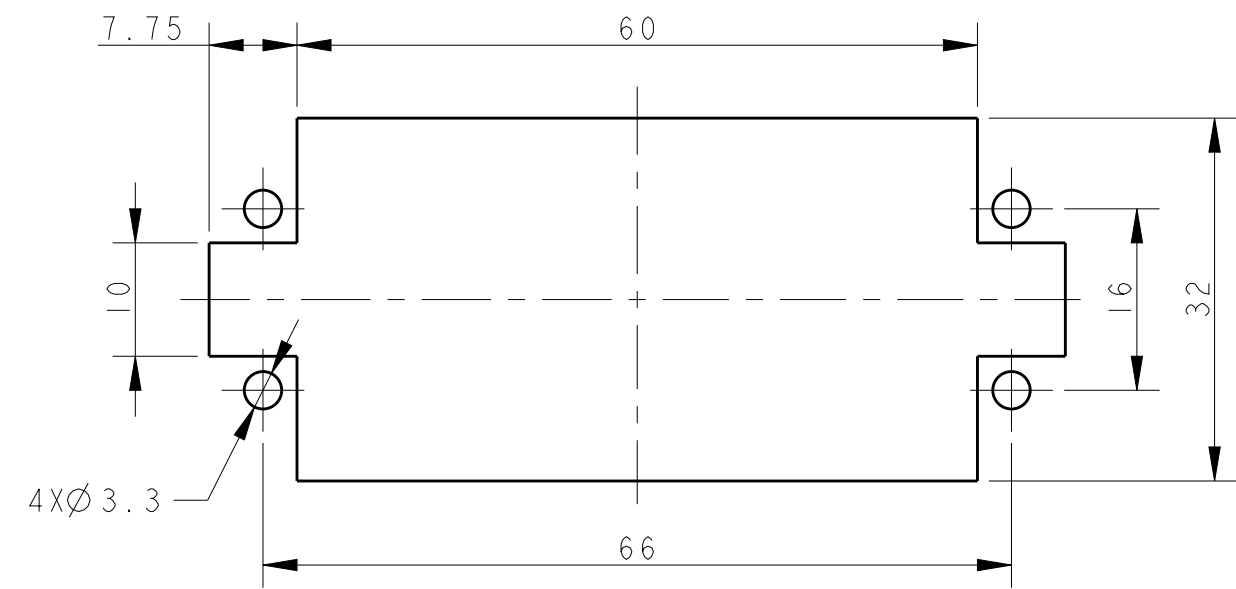
4X M3 SCREW
 RECOMMENDED
 TIGHTENING
 TORQUE 0.5Nm
 4X M3螺丝
 推荐锁紧力矩 0.5Nm



NOTE: TYPE-2 ALL THE DIMENSIONS ARE THE SAME WITH TYPE-1 EXCEPT THE LASER PRINT MARKINGS
 提示: 类型-2的所有尺寸与类型-1一致,除了激光打标不一样,详见视图



DETAIL C SCALE 5:1



PANEL CUT OUT FOR INSERTS FOR USE WITHOUT HOODS/HOUSINGS
 不使用防护外壳时元件的安装开孔图

T2020252201-Z00	HD-025-F/Z	HD-025 FEMALE INSERT(Z) HD-025母插(Z)	TYPE-2 类型-2
T2020252201-000	HD-025-F	HD-025 FEMALE INSERT HD-025母插	TYPE-1 类型-1
PART NUMBER 料号	PART DESCRIPTION 描述		TYPE 类型

THIS DRAWING IS A CONTROLLED DOCUMENT.		DWN DAVID LI 16 JUL 2015	TE Connectivity	
DIMENSIONS: mm		CHK CHRIS WANG 16 JUL 2015		
TOLERANCES UNLESS OTHERWISE SPECIFIED:		APVD XU XIANG 16 JUL 2015	NAME HD-025-F	
0 PLC ±		PRODUCT SPEC 108-137042	SIZE A2	
1 PLC ±		APPLICATION SPEC 114-137042	CAGE CODE -	
2 PLC ±		WEIGHT -	DRAWING NO. C-T2020252201000	
3 PLC ±		CUSTOMER DRAWING	RESTRICTED TO -	
4 PLC ±			SCALE 3:2 SHEET 1 OF 1 REV B2	
ANGLES ±				
FINISH -				