



Chipsmall Limited consists of a professional team with an average of over 10 year of expertise in the distribution of electronic components. Based in Hongkong, we have already established firm and mutual-benefit business relationships with customers from,Europe,America and south Asia,supplying obsolete and hard-to-find components to meet their specific needs.

With the principle of “Quality Parts,Customers Priority,Honest Operation,and Considerate Service”,our business mainly focus on the distribution of electronic components. Line cards we deal with include Microchip,ALPS,ROHM,Xilinx,Pulse,ON,Everlight and Freescale. Main products comprise IC,Modules,Potentiometer,IC Socket,Relay,Connector.Our parts cover such applications as commercial,industrial, and automotives areas.

We are looking forward to setting up business relationship with you and hope to provide you with the best service and solution. Let us make a better world for our industry!



## Contact us

Tel: +86-755-8981 8866 Fax: +86-755-8427 6832

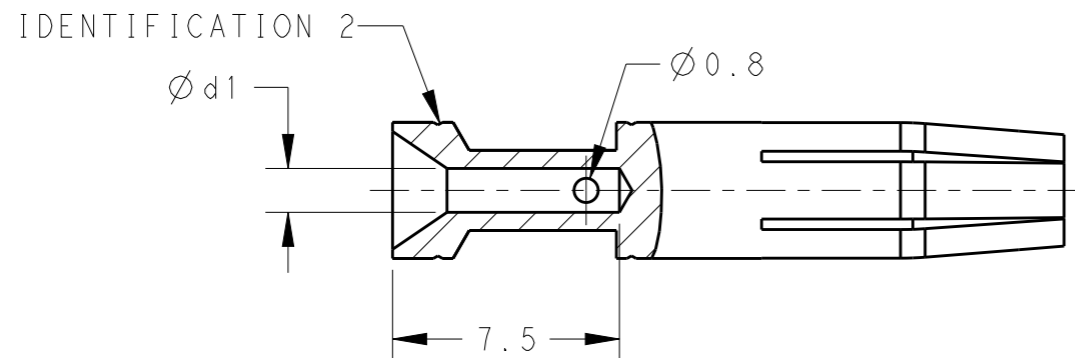
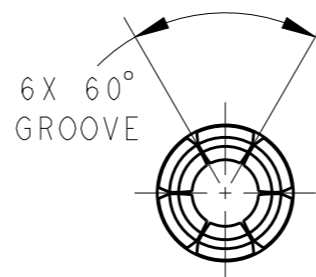
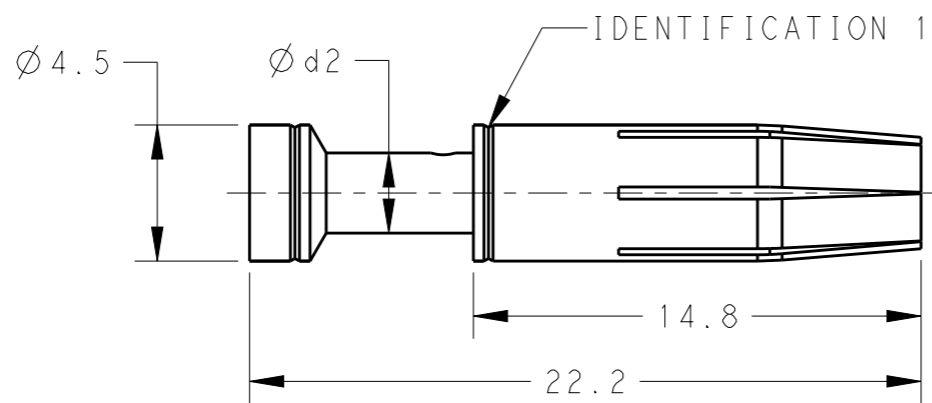
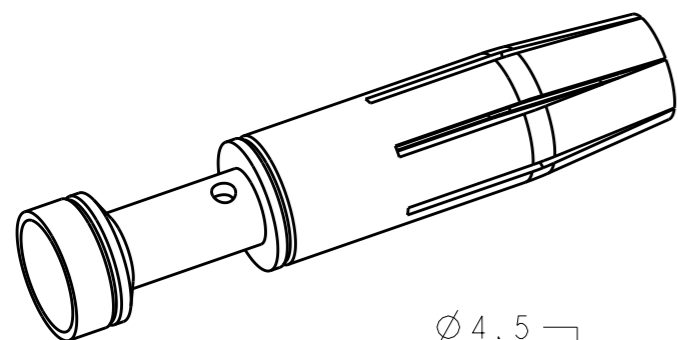
Email & Skype: info@chipsmall.com Web: www.chipsmall.com

Address: A1208, Overseas Decoration Building, #122 Zhenhua RD., Futian, Shenzhen, China



REVISIONS

P	LTR	DESCRIPTION	DATE	DWN	APVD
	A	INITIAL	18JUN2014	DW	CW
	A1	ECR-15-009407	01JUN2015	DW	CW



NOTES:

- TECHNICAL CHARACTERISTICS:  
 CONTACT MATERIAL: BRASS  
 SURFACE PLATING:  
 SILVER PLATING:  $\geq 2\mu\text{m}$   
 GOLD PLATING:  $\geq 0.75\mu\text{m}$   
 CONTACT RESISTANCE:  $\leq 5\text{ m}\Omega$   
 WIRE RANGE: 0.14-4 mm<sup>2</sup> (26-12 AWG)  
 OPERATION TEMPERATURE: -40-+125°C

注释:

- 技术参数:  
 母针材料: 黄铜  
 表面电镀:  
 镀银:  $\geq 2\mu\text{m}$   
 镀金:  $\geq 0.75\mu\text{m}$   
 接触电阻:  $\leq 5\text{ m}\Omega$   
 接线范围: 0.14-4 mm<sup>2</sup> (26-12 AWG)  
 工作温度: -40-+125°C

	PART NUMBER		d1	d2	WIRE GAUGE		STRIPPING LENGTH (mm)	IDENTIFICATION 1 (NUMBER OF GROOVES)	IDENTIFICATION 2 (NUMBER OF GROOVES)
	SILVER PLATING	GOLD PLATING			MM <sup>2</sup>	AWG			
SOCKET CONTACT	T2030002002-000	T2030012002-000	0.90	2.50	0.14-0.37	26-22	7.5	1 GROOVE	1 GROOVE
	T2030002005-000	T2030012005-000	1.15	2.50	0.5	20		NO GROOVE	NO GROOVE
	T2030002008-000	T2030012008-000	1.30	2.50	0.75	18		NO GROOVE	1 GROOVE
	T2030002010-000	T2030012010-000	1.45	2.65	1.0	18		1 GROOVE	NO GROOVE
	T2030002015-000	T2030012015-000	1.75	3.00	1.5	16		2 GROOVES	NO GROOVE
	T2030002025-000	T2030012025-000	2.25	3.45	2.5	14		3 GROOVES	NO GROOVE
	T2030002030-000	T2030012030-000	2.55	3.75	3.0	12		1 WIDE GROOVE	1 GROOVE
	T2030002040-000	T2030012040-000	2.85	3.85	4.0	12		NO GROOVE	NO GROOVE

THIS DRAWING IS A CONTROLLED DOCUMENT.

DWN 18JUN2014

David Wang

CHK 18JUN2014

Chris Wang

APVD 18JUN2014

Xiang Xu

PRODUCT SPEC

108-106137

APPLICATION SPEC

114-106137

WEIGHT -

Customer Drawing



TE Connectivity

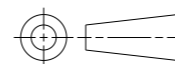
NAME CEF/DEF HEE SOCKET CONTACT

SIZE A3 CAGE CODE 00779 DRAWING NO. T20300X20XX000 RESTRICTED TO -

SCALE 4:1 SHEET 1 OF 1 REV A1

DIMENSIONS:

mm



TOLERANCES UNLESS OTHERWISE SPECIFIED:

- 0 PLC ±-
- 1 PLC ±-
- 2 PLC ±-
- 3 PLC ±-
- 4 PLC ±-
- ANGLES ±-

MATERIAL

-

FINISH

-