



Chipsmall Limited consists of a professional team with an average of over 10 year of expertise in the distribution of electronic components. Based in Hongkong, we have already established firm and mutual-benefit business relationships with customers from,Europe,America and south Asia,supplying obsolete and hard-to-find components to meet their specific needs.

With the principle of “Quality Parts,Customers Priority,Honest Operation,and Considerate Service”,our business mainly focus on the distribution of electronic components. Line cards we deal with include Microchip,ALPS,ROHM,Xilinx,Pulse,ON,Everlight and Freescale. Main products comprise IC,Modules,Potentiometer,IC Socket,Relay,Connector.Our parts cover such applications as commercial,industrial, and automotives areas.

We are looking forward to setting up business relationship with you and hope to provide you with the best service and solution. Let us make a better world for our industry!



Contact us

Tel: +86-755-8981 8866 Fax: +86-755-8427 6832

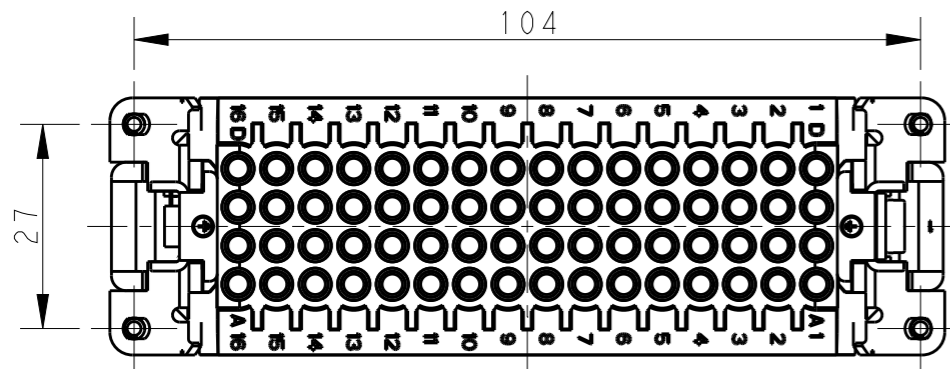
Email & Skype: info@chipsmall.com Web: www.chipsmall.com

Address: A1208, Overseas Decoration Building, #122 Zhenhua RD., Futian, Shenzhen, China



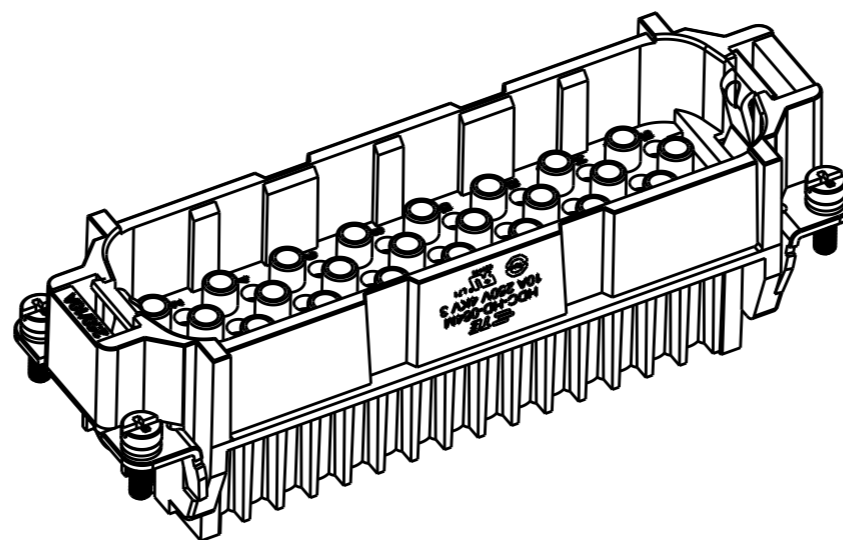
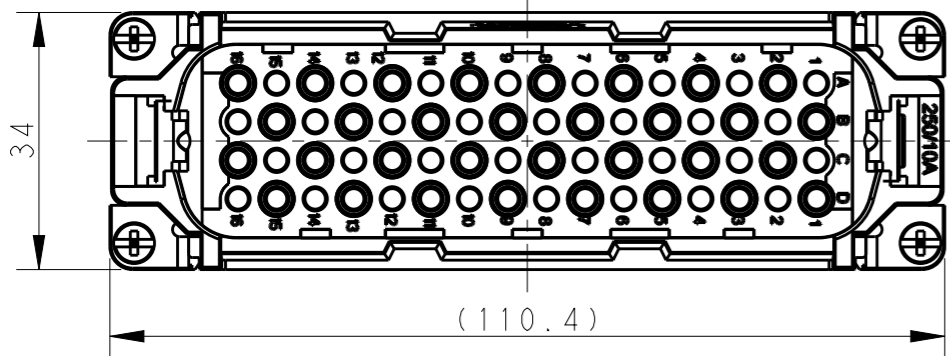
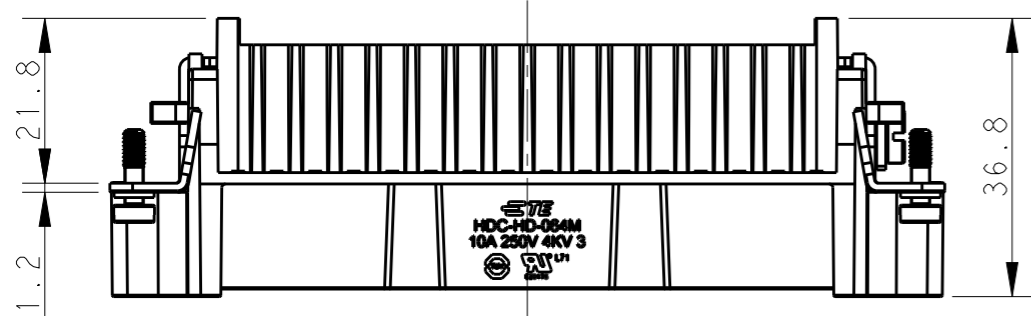
THIS DRAWING IS UNPUBLISHED. RELEASED FOR PUBLICATION 20
 © COPYRIGHT 20 BY - ALL RIGHTS RESERVED.

LOC	DIST	REVISIONS					
		P	LTR	DESCRIPTION	DATE	DWN	APVD
-	-	A1	ECR-15-010494		20JUN2015	DW	CW
		B	ECR-15-013292		24SEP2015	DL	CW
		B1	ECR-15-017530		02DEC2015	GY	CW
		B2	ECR-16-015492		12NOV2016	QY	CW



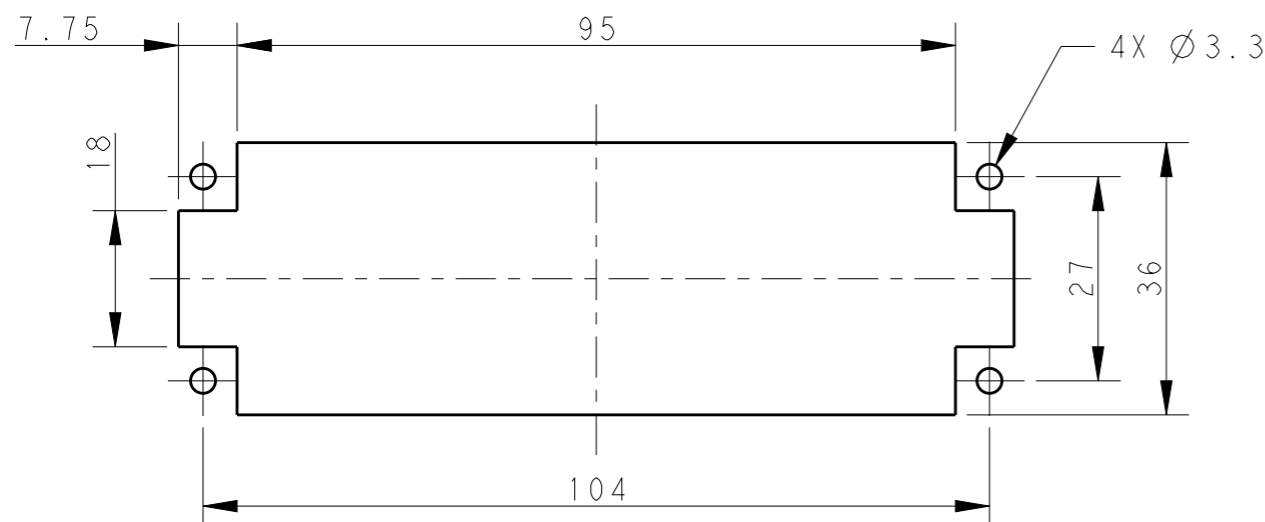
4X M3 SCREW RECOMMENDED
 TIGHTENING TORQUE 0.5Nm
 4X M3螺丝, 推荐锁紧力矩0.5Nm

M4 SCREW RECOMMENDED
 TIGHTENING TORQUE 1.2Nm
 M4 螺丝, 推荐锁紧力矩1.2Nm



NOTES:
 1. TECHNICAL CHARACTERISTICS:
 INSULATION MATERIAL: PC
 RATED VOLTAGE: 250 V
 RATED CURRENT: 10 A
 INSULATION RESISTANCE: >=400MΩ
 RATED IMPULSE VOLTAGE: 4 KV
 POLLUTION DEGREE: 3
 FLAMMABILITY: UL94V-0
 MATING CYCLES: 500 CYCLES
 WIRE RANGE: 0.14-2.5 mm² (26-14 AWG)
 CONTACT TYPE: CRIMP CONTACT
 2. CONTACT NEED TO BE ORDERED SEPARATELY.
 (ORDER No. REFER TO DRAWING:T20200X10XX000)


注释:
 1. 技术参数:
 绝缘材料: PC
 额定电压: 250V
 额定电流: 10A
 绝缘电阻: >=400MΩ
 额定脉冲电压: 4 KV
 污染等级: 3
 阻燃等级: UL94V-0
 插拔次数: 500次
 接线范围: 0.14-2.5 mm² (26-14 AWG)
 接线类型: 冷压接
 2. 端子需要单独订购。
 (订货号参考图面: T20200X10XX000)



PANEL CUT FOR INSERTS FOR USE
 WITHOUT HOODS/ HOUSINGS
 不用防护外壳时芯件的安装开孔图

TYPE-1, T2020642101-000, TE LOGO
 类型-1, T2020642101-000, TE LOGO

TYPE-2, T2020642101-001, STAINLESS STEEL SCREW, TE LOGO
 类型-2, T2020642101-001, 不锈钢螺丝, TE LOGO

THIS DRAWING IS A CONTROLLED DOCUMENT.		DWN 30OCT2014 David Wang	 TE Connectivity	
DIMENSIONS: mm		CHK 30OCT2014 Chris Wang		
TOLERANCES UNLESS OTHERWISE SPECIFIED:		APVD 30OCT2014 Xiang Xu	NAME HD-064-M	
0 PLC ±-		PRODUCT SPEC 108-137042	SIZE CAGE CODE DRAWING NO RESTRICTED TO	
1 PLC ±-		APPLICATION SPEC 114-137042	A300779 © T2020642101000	
2 PLC ±-		WEIGHT -	SCALE 1:1 SHEET 1 OF 2 REV B2	
3 PLC ±-				
4 PLC ±-				
ANGLES ±-				
FINISH -				
MATERIAL -		Customer Drawing		

4

3

2

1

THIS DRAWING IS UNPUBLISHED.

RELEASED FOR PUBLICATION

20

© COPYRIGHT 20

BY -

ALL RIGHTS RESERVED.

LOC	DIST	REVISIONS			
P	LTR	DESCRIPTION	DATE	DWN	APVD
-	-	SEE SHEET 1	-	-	-

NOTE:
SEE SHEET 1
注释:
见页 1

TYPE-3, T2020642101-002, STAINLESS STEEL SCREW, NO LOGO
类型-3, T2020642101-002, 不锈钢螺丝, 无LOGO

T2020642101-002	HD-064-M	HD-064 MALE INSERT, STAINLESS STEEL SCREW, NO LOGO HD-064 公插, 不锈钢螺丝, 无LOGO	TYPE-3 类型-3
T2020642101-001	HD-064-M	HD-064 MALE INSERT, STAINLESS STEEL SCREW HD-064 公插, 不锈钢螺丝	TYPE-2 类型-2
T2020642101-000	HD-064-M	HD-064 MALE INSERT HD-064 公插	TYPE-1 类型-1
PART NUMBER 料号	PART DESCRIPTION 描述		TYPE 类型

ALL DIMENSIONS ARE SAME AS TYPE 1,
EXCEPT THOSE DEFINED IN THIS TYPE.
除了在本类型中定义的尺寸外, 其它尺寸同类型 1

THIS DRAWING IS A CONTROLLED DOCUMENT.		DWN David Wang 30OCT2014		
DIMENSIONS: mm		CHK Chris Wang 30OCT2014		
TOLERANCES UNLESS OTHERWISE SPECIFIED:		APVD Xiang Xu 30OCT2014	NAME HD-064-M	
0 PLC ±-		PRODUCT SPEC 108-137042	SIZE	
1 PLC ±-		APPLICATION SPEC 114-137042	CAGE CODE	
2 PLC ±-		WEIGHT	DRAWING NO	
3 PLC ±-		Customer Drawing	RESTRICTED TO	
4 PLC ±-			A300779	
ANGLES ±-			C-T2020642101000	
FINISH			SCALE 1:1	
MATERIAL			SHEET 2 OF 2	
			REV B2	

1470-19 (3/11)