



Chipsmall Limited consists of a professional team with an average of over 10 year of expertise in the distribution of electronic components. Based in Hongkong, we have already established firm and mutual-benefit business relationships with customers from,Europe,America and south Asia,supplying obsolete and hard-to-find components to meet their specific needs.

With the principle of "Quality Parts,Customers Priority,Honest Operation,and Considerate Service",our business mainly focus on the distribution of electronic components. Line cards we deal with include Microchip,ALPS,ROHM,Xilinx,Pulse,ON,Everlight and Freescale. Main products comprise IC,Modules,Potentiometer,IC Socket,Relay,Connector.Our parts cover such applications as commercial,industrial, and automotives areas.

We are looking forward to setting up business relationship with you and hope to provide you with the best service and solution. Let us make a better world for our industry!



Contact us

Tel: +86-755-8981 8866 Fax: +86-755-8427 6832

Email & Skype: info@chipsmall.com Web: www.chipsmall.com

Address: A1208, Overseas Decoration Building, #122 Zhenhua RD., Futian, Shenzhen, China



THIS DRAWING IS UNPUBLISHED.

RELEASED FOR PUBLICATION

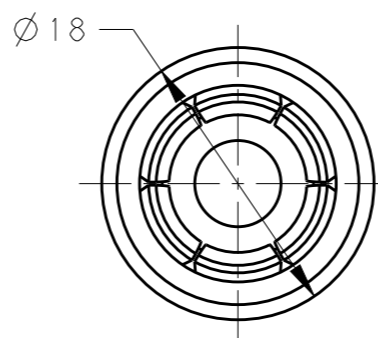
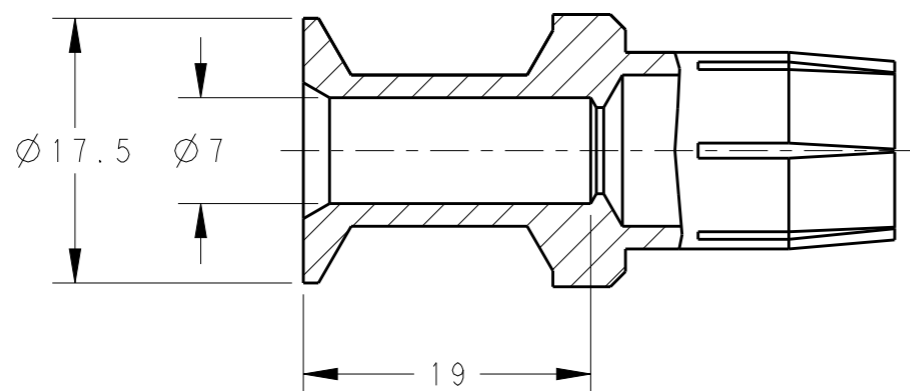
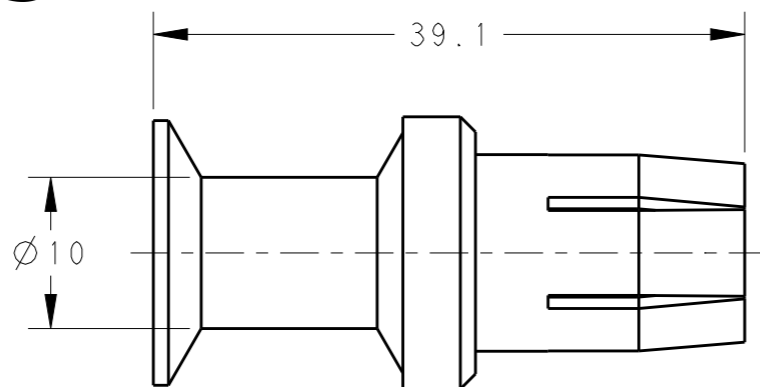
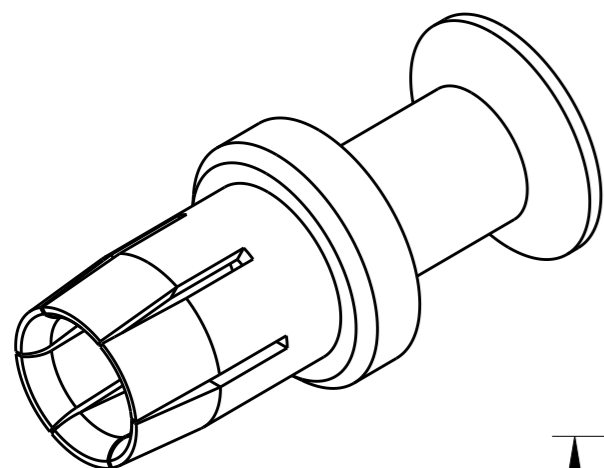
20

© COPYRIGHT 20 BY -

ALL RIGHTS RESERVED.

REVISIONS

P	LTR	DESCRIPTION	DATE	DWN	APVD
	A	INITIAL	11MAY2015	DW	CW
	A1	ECR-17-018349	14DEC2017	DW	CW



NOTES:

- 1. TECHNICAL CHARACTERISTICS:
 CONTACT MATERIAL: BRASS
 SURFACE PLATING:
 SILVER PLATING: $\geq 2\mu\text{m}$
 CONTACT RESISTANCE: $\leq 0.5\text{m}\Omega$
 WIRE RANGE: 25 mm²
 OPERATION TEMPERATURE: -40~+125°C

注释:

- 1. 技术参数:
 公针材料: 黄铜
 表面电镀:
 镀银: $\geq 2\mu\text{m}$
 接触电阻: $\leq 0.5\text{m}\Omega$
 接线范围: 25 mm²
 工作温度: -40~+125°C

T2060002025-000	CHF-25	CHF-25, SILVER PLATING HMN-001母针 25mm ² , 镀银	25	19
PART NUMBER 料号	PART DESCRIPTION 描述		WIRE GAUGE (mm ²) 线规 (mm ²)	STRIPPING LENGTH (mm) 剥线长度 (mm)
THIS DRAWING IS A CONTROLLED DOCUMENT.		DWN 11MAY2015 David Wang		
DIMENSIONS: mm		CHK 11MAY2015 Chris Wang		
TOLERANCES UNLESS OTHERWISE SPECIFIED:		APVD 11MAY2015 Xiang Xu	NAME CHF-25 HM SOCKET CONTACT	
0 PLC ±-		PRODUCT SPEC 108-137057	SIZE	
1 PLC ±-		APPLICATION SPEC 114-137057	CAGE CODE	
2 PLC ±-		WEIGHT	DRAWING NO	
3 PLC ±-		Customer Drawing	A300779	
4 PLC ±-			C-T2060002025000	
ANGLES ±-			RESTRICTED TO	
FINISH			SCALE 2:1	
			SHEET 1 OF 1	
			REV A1	