



Chipsmall Limited consists of a professional team with an average of over 10 year of expertise in the distribution of electronic components. Based in Hongkong, we have already established firm and mutual-benefit business relationships with customers from,Europe,America and south Asia,supplying obsolete and hard-to-find components to meet their specific needs.

With the principle of “Quality Parts,Customers Priority,Honest Operation,and Considerate Service”,our business mainly focus on the distribution of electronic components. Line cards we deal with include Microchip,ALPS,ROHM,Xilinx,Pulse,ON,Everlight and Freescale. Main products comprise IC,Modules,Potentiometer,IC Socket,Relay,Connector.Our parts cover such applications as commercial,industrial, and automotives areas.

We are looking forward to setting up business relationship with you and hope to provide you with the best service and solution. Let us make a better world for our industry!



Contact us

Tel: +86-755-8981 8866 Fax: +86-755-8427 6832

Email & Skype: info@chipsmall.com Web: www.chipsmall.com

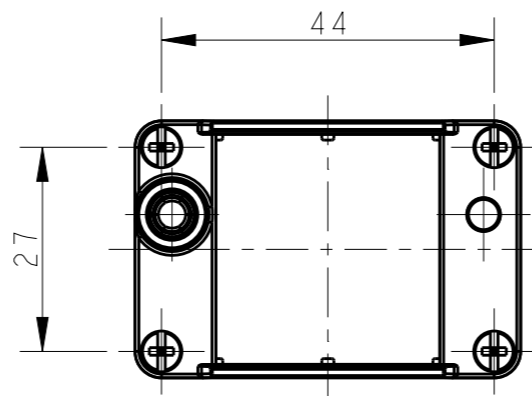
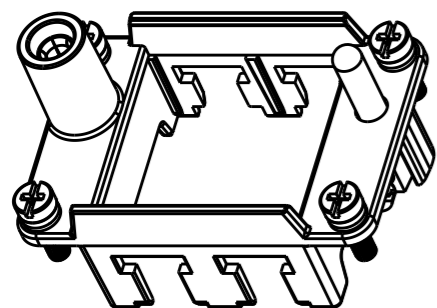
Address: A1208, Overseas Decoration Building, #122 Zhenhua RD., Futian, Shenzhen, China



THIS DRAWING IS UNPUBLISHED. RELEASED FOR PUBLICATION 20
 © COPYRIGHT 20 BY - ALL RIGHTS RESERVED.

REVISIONS

P	LTR	DESCRIPTION	DATE	DWN	APVD
	A	INITIAL	28FEB2015	DW	CW
	A1	ECR-16-000601	14JAN2016	DW	CW
	A2	ECR-16-017508	10DEC2016	RL	CW



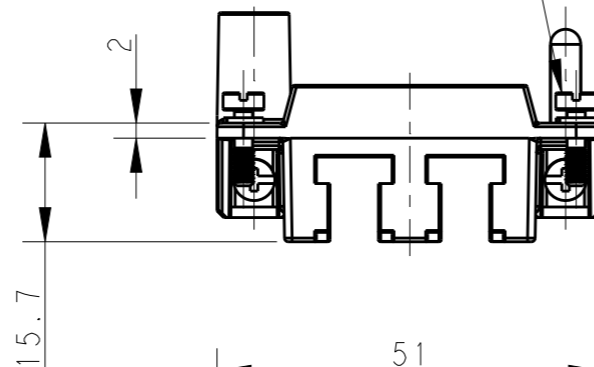
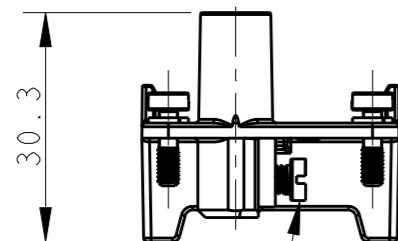
NOTES:

- 1. TECHNICAL CHARACTERISTICS:
 FRAME MATERIAL: DIE CAST ZINC ALLOY
 NUMBER OF MODULES: 2
 SURFACE: ZINC PLATED
 MATING CYCLES: 500 CYCLES

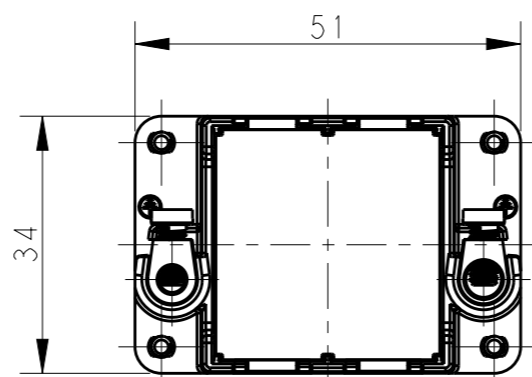
注释:

- 1. 技术参数:
 框架材料: 锌合金
 模块数量: 2
 表面处理: 镀锌
 插拔次数: 500次

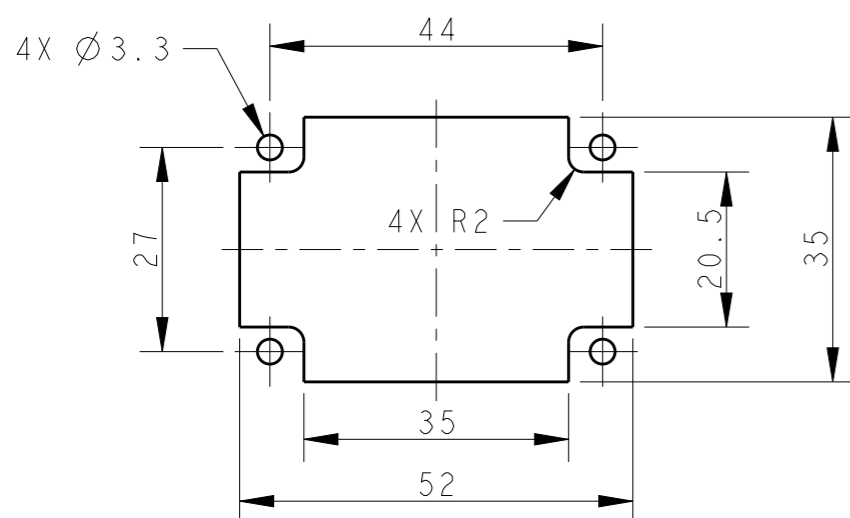
4X M3 SCREW
 RECOMMENDED TIGHTENING TORQUE 0.5Nm
 4X M3 螺丝推荐锁紧力矩为0.5Nm



2X M4 SCREW, RECOMMENDED TIGHTENING TORQUE 1.2Nm
 2X M4 螺丝, 推荐锁紧力矩为1.2Nm



T2070064001-000 SHOWN ABOVE WITHOUT MARK
 T2070064001-000, 不带标记



PANEL CUT FOR FRAME USE WITHOUT HOODS/ HOUSINGS

T2070064001-000	H6BN-T2	H6BN MODULE FRAME H6BN模块框架
T2070064101-000	H6BN-T2-M	H6BN MALE MODULE FRAME H6BN模块公框架
T2070064201-000	H6BN-T2-F	H6BN FEMALE MODULE FRAME H6BN模块母框架
PART NUMBER 料号	PART DESCRIPTION 描述	

THIS DRAWING IS A CONTROLLED DOCUMENT.

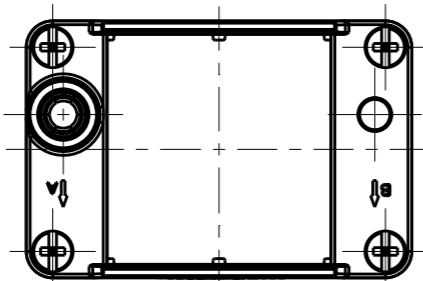
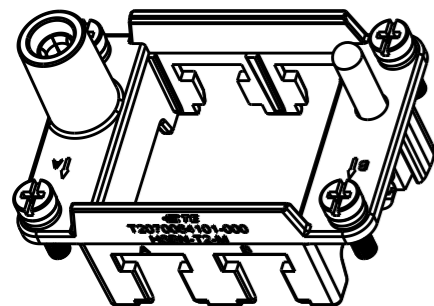
DIMENSIONS:	TOLERANCES UNLESS OTHERWISE SPECIFIED:
mm	
0 PLC	±-
1 PLC	±-
2 PLC	±-
3 PLC	±-
4 PLC ANGLES	±-
MATERIAL	FINISH
-	-

DWN	28FEB2015
DAVID WANG	
CHK	28FEB2015
CHRIS WANG	
APVD	28FEB2015
XIANG XU	
PRODUCT SPEC	108-137057
APPLICATION SPEC	114-137057
WEIGHT	-
Customer Drawing	

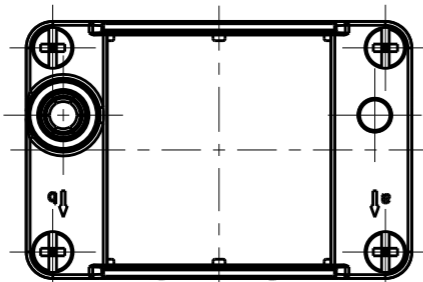
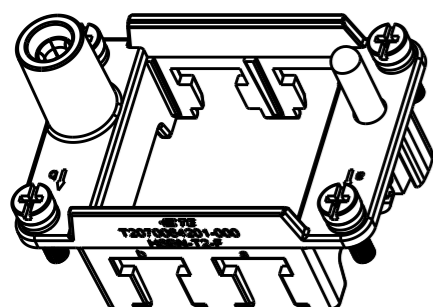
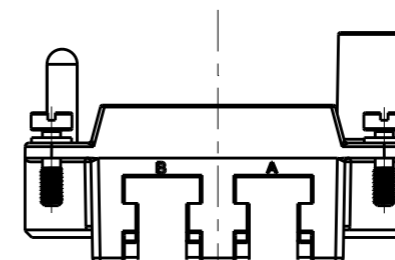
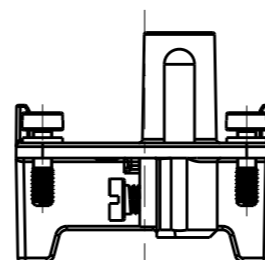
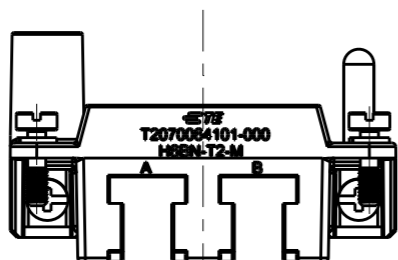
		NAME		RESTRICTED TO
		H6BN-T2		
SIZE	CAGE CODE	DRAWING NO	-	
A3	00779	©-T2070064001000	-	
SCALE		SHEET	OF	REV
1:1		1	2	A2

REVISIONS

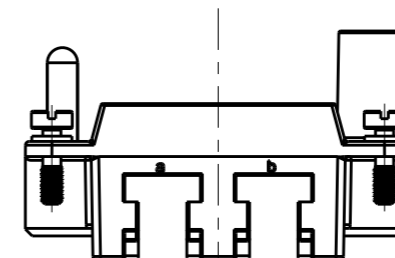
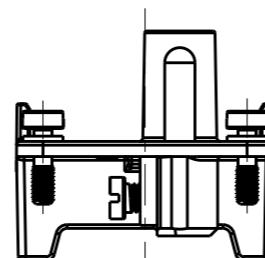
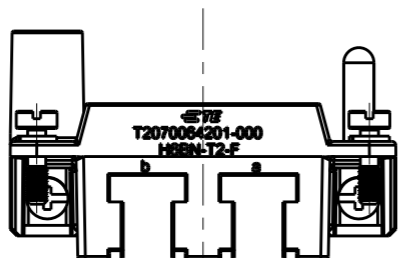
P	LTR	DESCRIPTION	DATE	DWN	APVD
-	-	SEE SHEET 1	-	-	-



T2070064101-000, H6BN-T2-M SHOWN
 WITH MARK, ALL DIMENSIONS THE SAME TO T2070064001-000
 T2070064101-000, H6BN-T2-M, 带标记, 所有尺寸同T2070064001-000一样



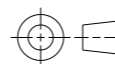
T2070064201-000, H6BN-T2-F SHOWN
 WITH MARK, ALL DIMENSIONS THE SAME TO T2070064001-000
 T2070064201-000, H6BN-T2-F, 带标记, 所有尺寸同T2070064001-000一样



THIS DRAWING IS A CONTROLLED DOCUMENT.

DIMENSIONS:

mm



TOLERANCES UNLESS OTHERWISE SPECIFIED:

- 0 PLC ±-
- 1 PLC ±-
- 2 PLC ±-
- 3 PLC ±-
- 4 PLC ±-
- ANGLES ±-

MATERIAL

FINISH

DWN 28FEB2015

DAVID WANG

CHK 28FEB2015

CHRIS WANG

APVD 28FEB2015

XIANG XU

PRODUCT SPEC 108-137057

APPLICATION SPEC 114-137057

WEIGHT -

CUSTOMER DRAWING



TE Connectivity

NAME H6BN-T2

SIZE	CAGE CODE	DRAWING NO	RESTRICTED TO
------	-----------	------------	---------------

A3	00779	©-T2070064001000	-
----	-------	------------------	---

SCALE 1:1	SHEET 2 OF 2	REV A2
-----------	--------------	--------