



Chipsmall Limited consists of a professional team with an average of over 10 year of expertise in the distribution of electronic components. Based in Hongkong, we have already established firm and mutual-benefit business relationships with customers from,Europe,America and south Asia,supplying obsolete and hard-to-find components to meet their specific needs.

With the principle of "Quality Parts,Customers Priority,Honest Operation,and Considerate Service",our business mainly focus on the distribution of electronic components. Line cards we deal with include Microchip,ALPS,ROHM,Xilinx,Pulse,ON,Everlight and Freescale. Main products comprise IC,Modules,Potentiometer,IC Socket,Relay,Connector.Our parts cover such applications as commercial,industrial, and automotives areas.

We are looking forward to setting up business relationship with you and hope to provide you with the best service and solution. Let us make a better world for our industry!



Contact us

Tel: +86-755-8981 8866 Fax: +86-755-8427 6832

Email & Skype: info@chipsmall.com Web: www.chipsmall.com

Address: A1208, Overseas Decoration Building, #122 Zhenhua RD., Futian, Shenzhen, China

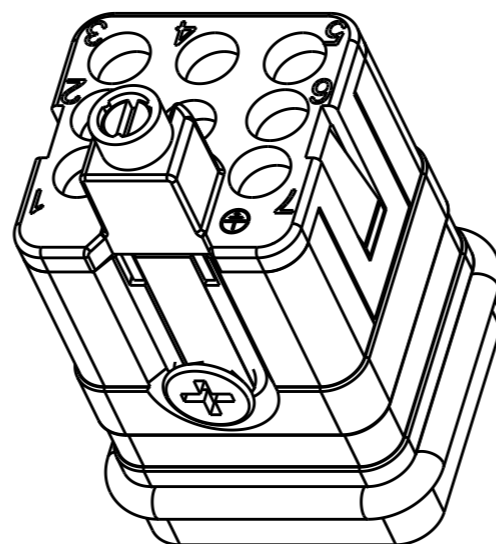
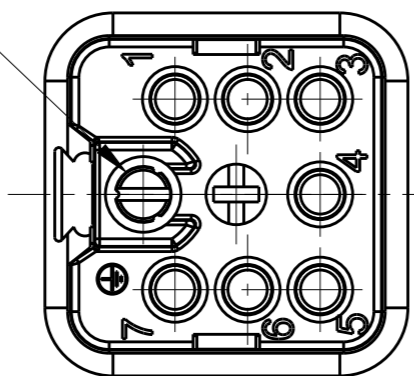


THIS DRAWING IS UNPUBLISHED. RELEASED FOR PUBLICATION 20
 © COPYRIGHT 20 BY - ALL RIGHTS RESERVED.

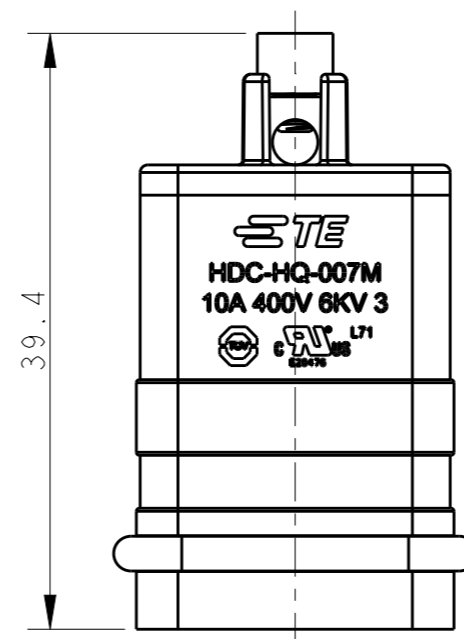
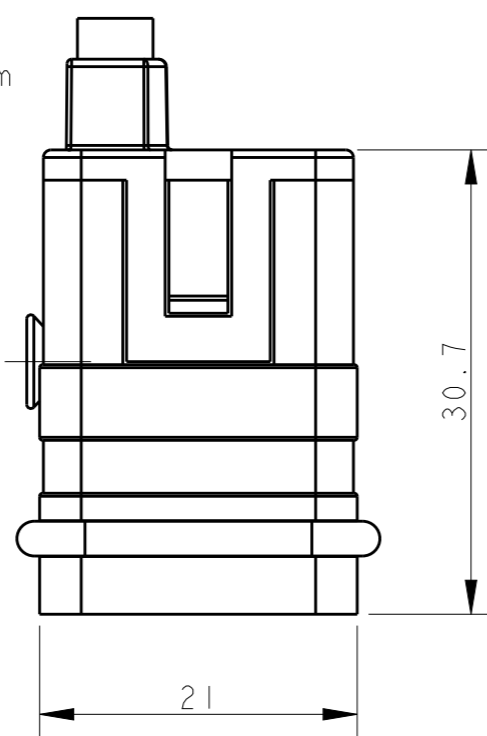
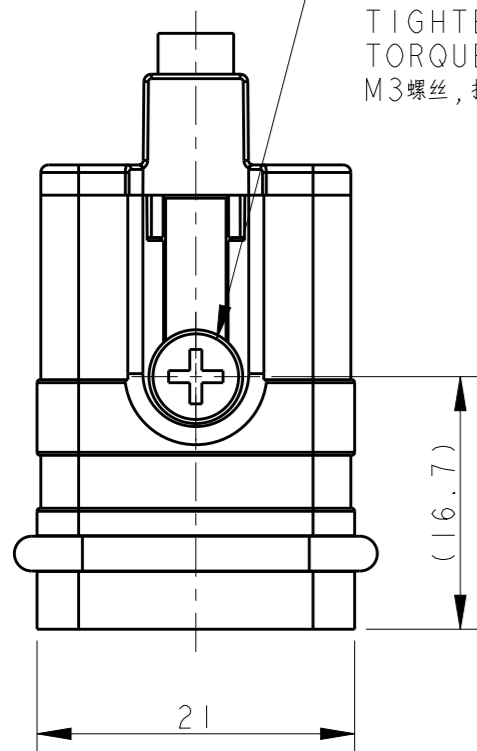
REVISIONS

P	LTR	DESCRIPTION	DATE	DWN	APVD
A		INITIAL RELEASE	02APR2015	DL	CW
B		ECR-15-014706	10OCT2015	DL	CW
B1		ECR-15-016505	11NOV2015	DL	CW
B2		ECR-16-018198	16JAN2017	QY	CW

M3 THREAD
RECOMMENDED
TIGHTENING
TORQUE 0.5Nm
M3螺丝, 推荐锁紧力矩0.5Nm



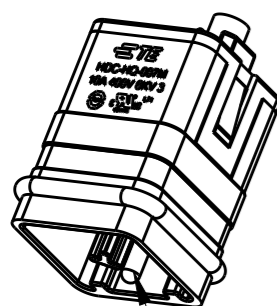
M3 THREAD
RECOMMENDED
TIGHTENING
TORQUE 0.5Nm
M3螺丝, 推荐锁紧力矩0.5Nm



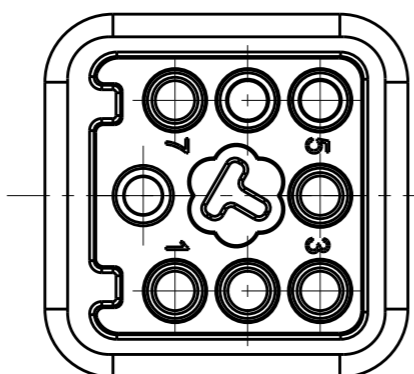
- NOTES:
- TECHNICAL CHARACTERISTICS:
 INSULATION MATERIAL: PC
 RATED VOLTAGE: 400 V
 RATED CURRENT: 10 A
 INSULATION RESISTANCE: $\geq 400M\Omega$
 RATED IMPULSE VOLTAGE: 6 KV
 POLLUTION DEGREE: 3
 FLAMMABILITY: UL94V-0
 MATING CYCLES: 500 CYCLES
 WIRE RANGE: 0.14-2.5 mm² (26-14 AWG)
 CONTACT TYPE: CRIMP CONTACT
 - CONTACT NEED TO BE ORDERED SEPARATELY.
 (ORDER No. REFER TO DRAWING: T20200X10XX000)

- 注释:
- 技术参数:
 绝缘材料: PC
 额定电压: 400V
 额定电流: 10A
 绝缘电阻: $\geq 400M\Omega$
 额定脉冲电压: 6 KV
 污染等级: 3
 阻燃等级: UL94V-0
 插拔次数: 500次
 接线范围: 0.14-2.5 mm² (26-14 AWG)
 接线类型: 冷压接
 - 端子需要单独订购.
 (订货号参考图面: T20200X10XX000)

TYPE-1:T2080072101-000 TE LOGO
 类型-1:T2080072101-000 TE LOGO



GROUNDING CONTACT TYPE: SCREW CONTACT
 GROUNDING CONTACT FINISH: SILVER PLATED
 WIRE RANGE: 2.5mm² (AWG14)
 接地端子类型: 螺丝连接端子 / 接地端子表面处理: 镀银 / 接线范围: 2.5mm² (AWG14)



THIS DRAWING IS A CONTROLLED DOCUMENT.		DWN 31MAR2015 DAVID LI	TE Connectivity	
DIMENSIONS: mm		CHK 31MAR2015 CHRIS WANG		
TOLERANCES UNLESS OTHERWISE SPECIFIED:		APVD 31MAR2015 XU XIANG	NAME HQ-007-M	
0 PLC ±- 1 PLC ±- 2 PLC ±- 3 PLC ±- 4 PLC ±- ANGLES ±-		PRODUCT SPEC 108-137114	RESTRICTED TO	
MATERIAL		APPLICATION SPEC 114-137114	SIZE A3	CAGE CODE -
FINISH		WEIGHT -	DRAWING NO T2080072101000	
		CUSTOMER DRAWING	SCALE 2:1	SHEET 1 OF 2
			REV B2	

4

3

2

1

THIS DRAWING IS UNPUBLISHED.

RELEASED FOR PUBLICATION

20

© COPYRIGHT 20 BY -

ALL RIGHTS RESERVED.

REVISIONS

P	LTR	DESCRIPTION	DATE	DWN	APVD
-	-	SEE SHEET 1	-	-	-

ALL DIMENSIONS ARE SAME AS TYPE 1,
EXCEPT THOSE DEFINED IN THIS TYPE.
除了在本类型中定义的尺寸外,其它尺寸同类型 |

NOTES:

SEE SHEET 1

注释:
见页 |

TYPE-2: T2080072101-001 STAINLESS STEEL SCREW, NO LOGO
类型-2: T2080072101-001 不锈钢螺丝, 无LOGO

T2080072101-001	HQ-007-M	HQ-007 MALE INSERT, STAINLESS STEEL SCREW, NO LOGO HQ-007公插, 不锈钢螺丝, 无LOGO	TYPE-2 类型-2
T2080072101-000	HQ-007-M	HQ-007 MALE INSERT HQ-007公插	TYPE-1 类型-1
PART NUMBER 料号	PART DESCRIPTION 描述		TYPE 类型

GROUNDING CONTACT TYPE: SCREW CONTACT
GROUNDING CONTACT FINISH: SILVER PLATED
WIRE RANGE: 2.5mm² (AWG14)
接地端子类型: 螺丝连接端子 / 接地端子表面处理: 镀银 / 接线范围: 2.5mm² (AWG14)

THIS DRAWING IS A CONTROLLED DOCUMENT.

DIMENSIONS:
mm

TOLERANCES UNLESS
OTHERWISE SPECIFIED:

0 PLC	±-
1 PLC	±-
2 PLC	±-
3 PLC	±-
4 PLC	±-
ANGLES	±-
FINISH	-

MATERIAL

-

-

DWN 31MAR2015

DAVID LI

CHK 31MAR2015

CHRIS WANG

APVD 31MAR2015

XU XIANG

PRODUCT SPEC

108-137114

APPLICATION SPEC

114-137114

WEIGHT

-

CUSTOMER DRAWING

TE Connectivity

NAME

HQ-007-M

SIZE

A3

CAGE CODE

-

DRAWING NO

C-T2080072101000

RESTRICTED TO

-

SCALE 2:1

SHEET 2 OF 2

REV B2

1470-19 (3/13)