



Chipsmall Limited consists of a professional team with an average of over 10 year of expertise in the distribution of electronic components. Based in Hongkong, we have already established firm and mutual-benefit business relationships with customers from,Europe,America and south Asia,supplying obsolete and hard-to-find components to meet their specific needs.

With the principle of "Quality Parts,Customers Priority,Honest Operation,and Considerate Service",our business mainly focus on the distribution of electronic components. Line cards we deal with include Microchip,ALPS,ROHM,Xilinx,Pulse,ON,Everlight and Freescale. Main products comprise IC,Modules,Potentiometer,IC Socket,Relay,Connector.Our parts cover such applications as commercial,industrial, and automotives areas.

We are looking forward to setting up business relationship with you and hope to provide you with the best service and solution. Let us make a better world for our industry!



## Contact us

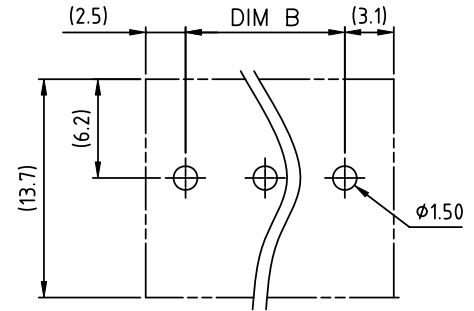
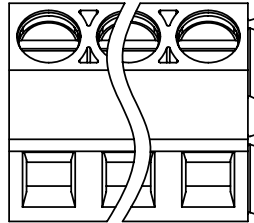
Tel: +86-755-8981 8866 Fax: +86-755-8427 6832

Email & Skype: info@chipsmall.com Web: www.chipsmall.com

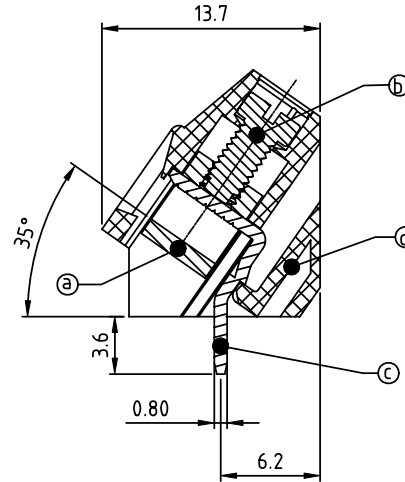
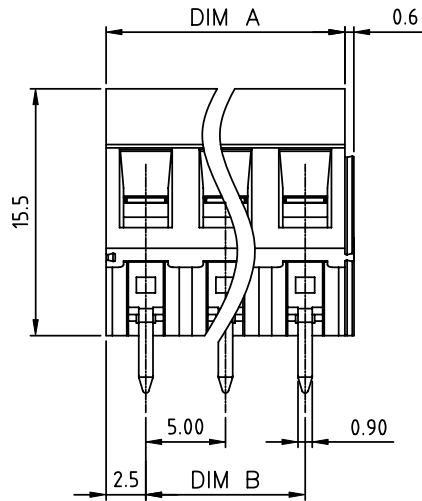
Address: A1208, Overseas Decoration Building, #122 Zhenhua RD., Futian, Shenzhen, China



PRODUCT NUMBER	PITCH
T2xx01x100J0G	5.00 mm



RECOMMENDED P.C.B LAYOUT  
TOP VIEW



Material

- Item (a) Clamp : Brass , Ni plated
- Item (b) Terminal screw: Steel , Zinc plating "--" slot type
- Item (c) Solder pin : Brass , Tin plated
- Item (d) Terminal housing : Thermoplastic (UL94V-0)

Electrical UL

- Voltage rating: 300VAC
- Current rating: 10A
- Wire range:
- Solid wire(AWG): 12-24
- Stranded wire(AWG): 12-24
- Torque(Lb-In): 3.5
- Screw: M2.5
- Wire strip length: 6-7mm
- Withstanding Voltage: 1.6KV
- Operating temperature: -40°C to +115°C
- Soldering temperature: 260°C±5°C/5 Sec
- Safety Approval:

Dimension A&B

DIM A	Nx5.0
DIM B	(N-1)x5.0

N=Number of poles

Poles	DIMA&B Tolerance
4P-8P	±0.15
9P-14P	±0.25
15P-20P	±0.35
21P-24P	±0.40

PART NO.: T2 xx 0 1 x 1 00J0 G

- |              |   |                   |                 |
|--------------|---|-------------------|-----------------|
| Solid Block  | 0 | Black (RAL9005)   | RoHS compliant  |
| No. of poles | 2 | Red (RAL3001/D)   | (lead<4%)       |
| 04 4 poles   | 3 | Orange(RAL2011/P) | In copper Alloy |
| 05 5 poles   | 4 | Yellow(RAL1018/A) |                 |
| ...          | 5 | Green(RAL6018/T)  |                 |
| 24 24 poles  | 6 | Blue (RAL5015/A)  |                 |
|              | 8 | Grey(RAL7035/D)   |                 |
|              | 9 | White(RAL1102)    |                 |
|              | C | Green(RAL6018/U)  |                 |

mat'l. code		surface ASME Y14.5	tolerance ASME Y14.5	projection 	product family TERMINAL BLOCK
ltr	ecn no	dr	date	tolerances unless otherwise specified	title TERMINAL BLOCK
				angles 	scale RISING CLAMP,35D WIRE INLET,SOLID TYPE
				X*±1°	MM
				X.±0.5	scale
				X.X±0.3	FCI
				X.XX±0.1	dwg no
		dr	EVIN ZHONG	040714	sheet 1 of 1
		engr	EVIN ZHONG	040714	size
		chr	HANKE FENG	040714	T2xx01x100J0G
		appd	SHI JUN	040714	A4
sheet index	revision	A			type
	sheet	1			CUSTOMER Drawing