



Chipsmall Limited consists of a professional team with an average of over 10 year of expertise in the distribution of electronic components. Based in Hongkong, we have already established firm and mutual-benefit business relationships with customers from,Europe,America and south Asia,supplying obsolete and hard-to-find components to meet their specific needs.

With the principle of “Quality Parts,Customers Priority,Honest Operation,and Considerate Service”,our business mainly focus on the distribution of electronic components. Line cards we deal with include Microchip,ALPS,ROHM,Xilinx,Pulse,ON,Everlight and Freescale. Main products comprise IC,Modules,Potentiometer,IC Socket,Relay,Connector.Our parts cover such applications as commercial,industrial, and automotives areas.

We are looking forward to setting up business relationship with you and hope to provide you with the best service and solution. Let us make a better world for our industry!



Contact us

Tel: +86-755-8981 8866 Fax: +86-755-8427 6832

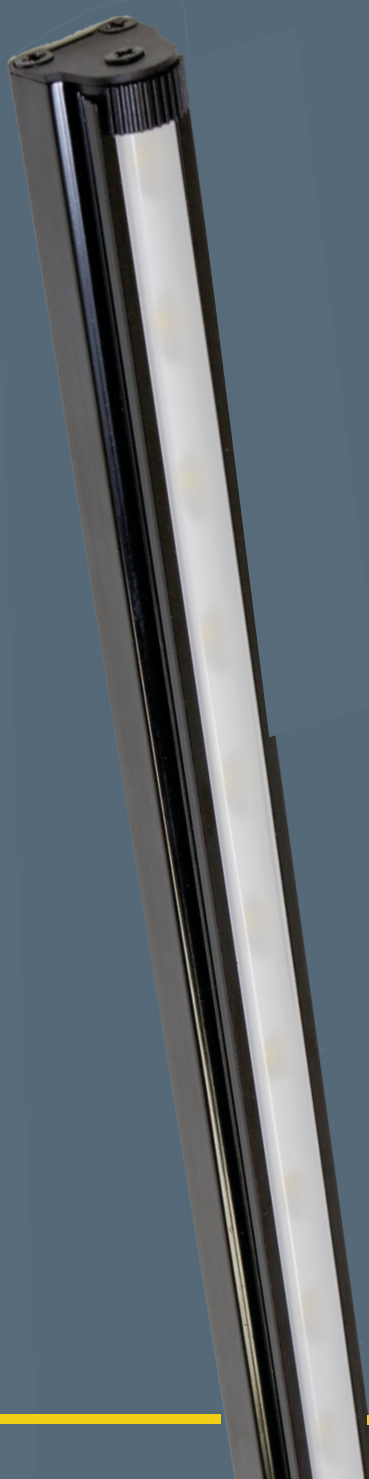
Email & Skype: info@chipsmall.com Web: www.chipsmall.com

Address: A1208, Overseas Decoration Building, #122 Zhenhua RD., Futian, Shenzhen, China



FEATURES:

- High Lumen Output
- Diffused Lens
- Directional Efficiency
- Low Profile
- Long Life
- Mercury Free
- Lead Free
- No UV



The Terrace features a durable extruded black aluminum housing and a diffused lens for maximized light output uniformity.

SPECIFICATIONS

Color Temperature	Lumen Output	Efficacy (lm/W)	Color Rendering Index (CRI)
Cool (C) - 6500K	475	75	70
Neutral (N) - 4500K	450	71	76
Warm (W) - 3000K	435	65	80

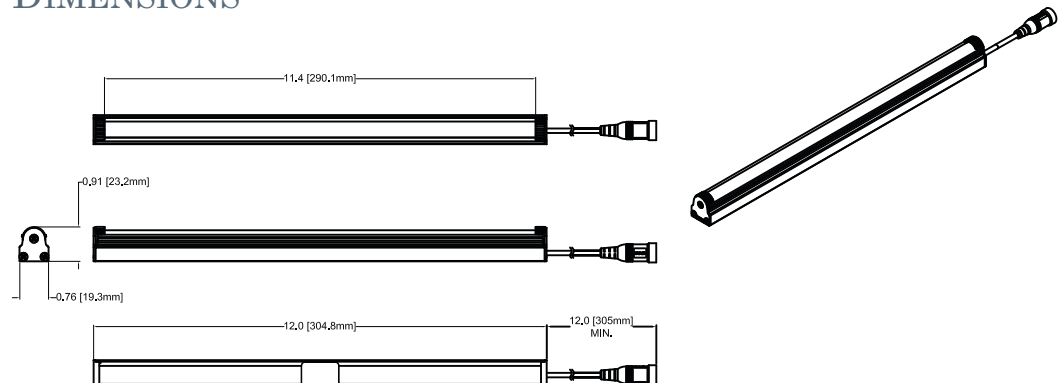
Rated Life:	50,000 hours
Beam Angle:	120°
Power Consumption:	7 Watts
Operating Temperature:	0° C ~+ 40° C
Voltage Input:	24VDC, Constant Voltage
Controls:	See Accessory SW-1001
Housing:	Extruded Aluminum, Black Polycarbonate Lens, Clear
Weight (g):	131
Dimensions:	W .76" (19.3mm) H .91" (23.2mm) L 12" (304.8mm) ** **not including mounts

Compliance:



Restriction of Hazardous Substances Directive (RoHS) implements EU Directive 2002 / 95 which bans placing electrical and hazardous equipment that contains more than agreed levels of hazardous substances on the EU market. For a list of these substances, visit www.rohs.gov.uk.

DIMENSIONS



TERRACE SERIES

T2200 STANDARD (S)

ORDERING INFORMATION

Choose the option that best suits your needs and write its corresponding code on the appropriate line to form product code.

Model	Color	Type	Example
T2200	C - 6500K N - 4500K W - 3000K	S-Standard	T2200-C-S

All luminaires are easily customizable. Please contact us to inquire about customizing a luminaire to fill your needs.

Order power accessories as separate catalog numbers from the Accessories section below.
(Note: 2 mounting screws and double sided tape included for mounting of Standard luminaires)

ACCESSORIES

Universal Regulated Quick Connect Power Supply (North American Plug)

Califia Lighting Part #WA-UL-001

Universal Regulated Quick Connect Power Supply (Euro Plug)

Califia Lighting Part #WA-VDE-001

In-line On/Off Switch

Califia Lighting Part #SW-1001

PHOTOMETRY CHARACTERISTICS

