



Chipsmall Limited consists of a professional team with an average of over 10 year of expertise in the distribution of electronic components. Based in Hongkong, we have already established firm and mutual-benefit business relationships with customers from,Europe,America and south Asia,supplying obsolete and hard-to-find components to meet their specific needs.

With the principle of “Quality Parts,Customers Priority,Honest Operation,and Considerate Service”,our business mainly focus on the distribution of electronic components. Line cards we deal with include Microchip,ALPS,ROHM,Xilinx,Pulse,ON,Everlight and Freescale. Main products comprise IC,Modules,Potentiometer,IC Socket,Relay,Connector.Our parts cover such applications as commercial,industrial, and automotives areas.

We are looking forward to setting up business relationship with you and hope to provide you with the best service and solution. Let us make a better world for our industry!



## Contact us

Tel: +86-755-8981 8866 Fax: +86-755-8427 6832

Email & Skype: info@chipsmall.com Web: www.chipsmall.com

Address: A1208, Overseas Decoration Building, #122 Zhenhua RD., Futian, Shenzhen, China



## Class T 300V open fuse blocks



### Materials

- Phenolic
- Glass polyester on 600A

### UL Flammability

- 94 VO

### Recommended fuses:

- JJN (see data sheet no. 1025)

### Catalog symbol:

- T300\_

### Description:

A range of open 1-, 2- and 3-pole blocks for Class T fuses.

### Specifications:

#### Ratings

- Volts: 300V
- Amps: 1/2-600A
- Withstand rating: 200kA RMS Sym.

#### Agency information

- UL® Listed, UL 512, Guide IZLT, File E14853
- CSA® Certified, C22.2 No. 39, Class 6225-01, File 47235
- CE
- RoHS compliant



Catalog numbers:

Amps	Poles	Catalog numbers/terminals		Figure number	Wire range
		Screw	Box lug		
1/2-30	2	T30030-2SR	T30030-2CR	1	SR #10 Cu, CR #6-14 Cu-Al
	3	T30030-3SR	T30030-3CR		
	4	T30030-4SR	T30030-4CR		
31-60	2	T30060-2SR	T30060-2CR	1	SR #12 Al, CR#2-14 Cu
	3	T30060-3SR	T30060-3CR		
	4	T30060-4SR	T30060-4CR		
61-100	1	—	T30100-1CR	2	1/0-#8 Cu-Al
	2	—	T30100-2CR		
	3	—	T30100-3CR		
101-200	1	—	T30200-1C	3a	250kcmil- #6 Cu-Al
	3	—	T30200-3C	3b	
201-400	1	—	T30400-1C	4	600kcmil-2/0 Cu-Al
401-600	1	—	T30600-1C	5	(2) 600kcmil-4/0 Cu-Al

Dimensions – in:

Figure 1. 1/2 to 60A

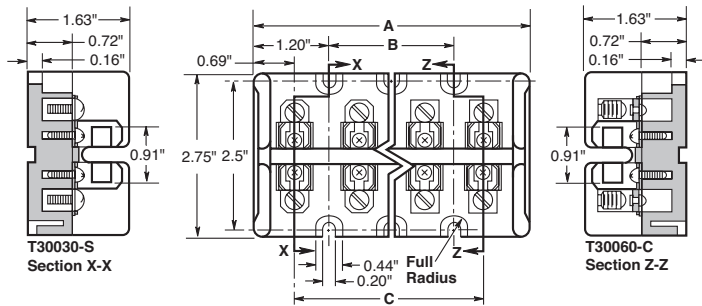
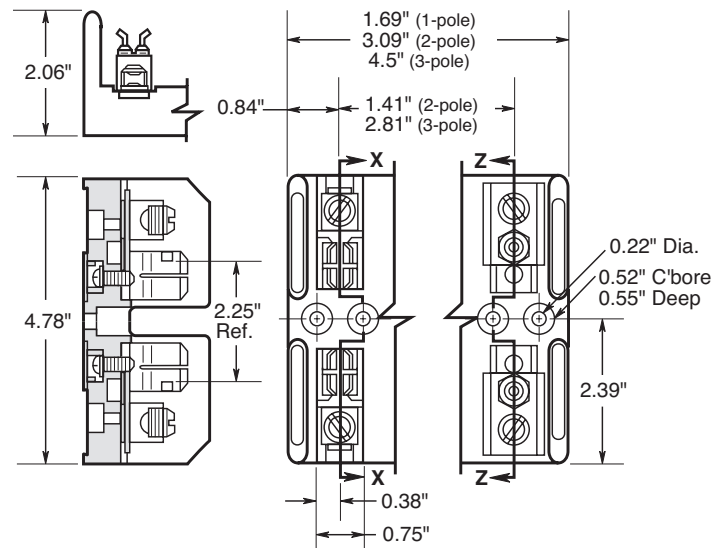


Figure 2. 61 to 100A

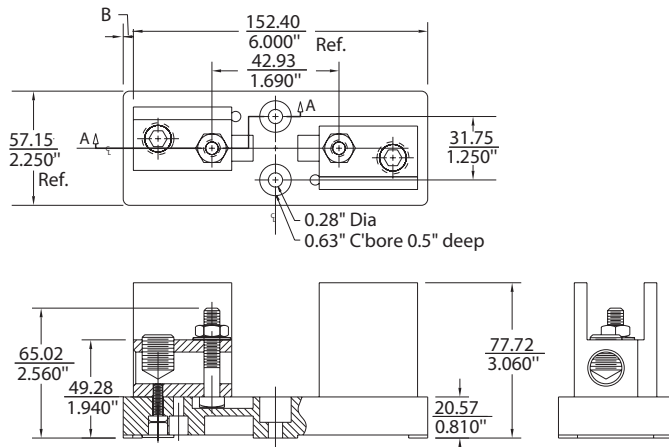


Amps	Poles	Dimensions - in		
		A	B	C
30	2	2.41	—	1.03
60				
30	3	3.44	1.03	2.06
60				
30	4	4.47	2.06	3.09
60				

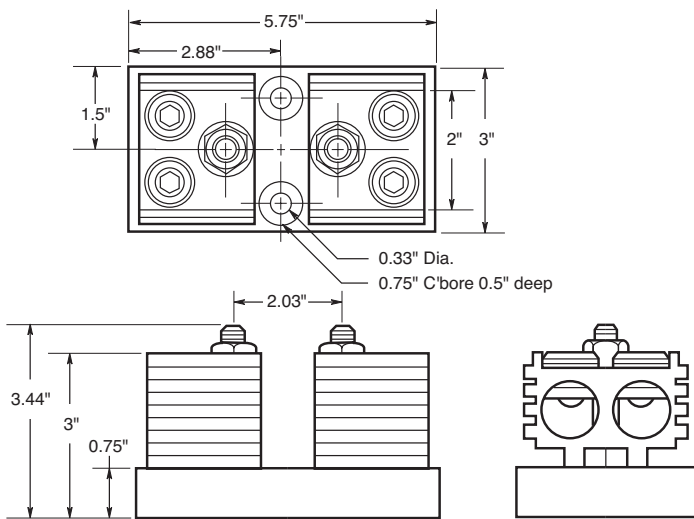


**Dimensions, 101 to 200A:**

**Figure 3A.**

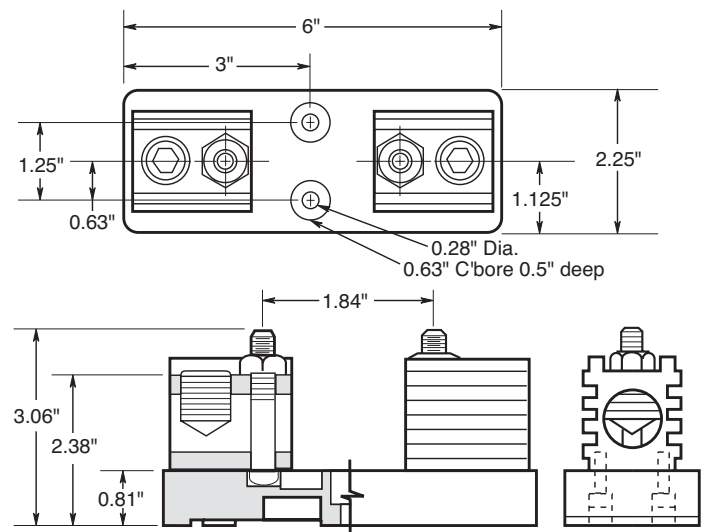


**Figure 3B.**



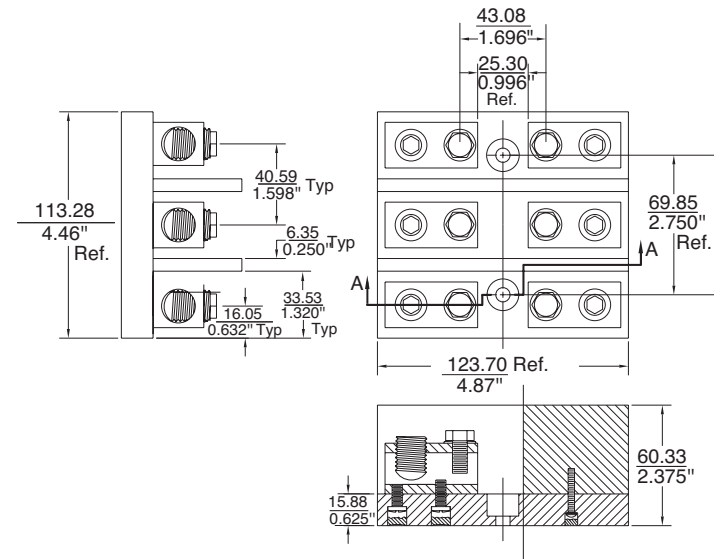
**Dimensions, 201 to 400A:**

**Figure 4.**



**Dimensions, 401 to 600A - in(±0.016):**

**Figure 5.**



The only controlled copy of this data sheet is the electronic read-only version located on the Eaton network drive. All other copies of this document are by definition uncontrolled. This bulletin is intended to clearly present comprehensive product data and provide technical information that will help the end user with design applications. Eaton reserves the right, without notice, to change design or construction of any products and to discontinue or limit distribution of any products. Eaton also reserves the right to change or update, without notice, any technical information contained in this bulletin. Once a product has been selected, it should be tested by the user in all possible applications.

**Eaton**  
1000 Eaton Boulevard  
Cleveland, OH 44122  
United States  
Eaton.com

Bussmann Division  
114 Old State Road  
Ellisville, MO 63021  
United States  
Eaton.com/bussmannseries

© 2016 Eaton  
All Rights Reserved  
Printed in USA  
Publication No. 1115 — BU-MC15052  
November 2016

Eaton and Bussmann are valuable trademarks of Eaton in the US and other countries. You are not permitted to use the Eaton trademarks without prior written consent of Eaton.

CSA is a registered trademark of the Canadian Standards Group.  
UL is a registered trademark of Underwriters Laboratories, Inc.

For Eaton's Bussmann series product information, call **1-855-287-7626** or visit: **Eaton.com/bussmannseries**