



Chipsmall Limited consists of a professional team with an average of over 10 year of expertise in the distribution of electronic components. Based in Hongkong, we have already established firm and mutual-benefit business relationships with customers from,Europe,America and south Asia,supplying obsolete and hard-to-find components to meet their specific needs.

With the principle of "Quality Parts,Customers Priority,Honest Operation,and Considerate Service",our business mainly focus on the distribution of electronic components. Line cards we deal with include Microchip,ALPS,ROHM,Xilinx,Pulse,ON,Everlight and Freescale. Main products comprise IC,Modules,Potentiometer,IC Socket,Relay,Connector.Our parts cover such applications as commercial,industrial, and automotives areas.

We are looking forward to setting up business relationship with you and hope to provide you with the best service and solution. Let us make a better world for our industry!



## Contact us

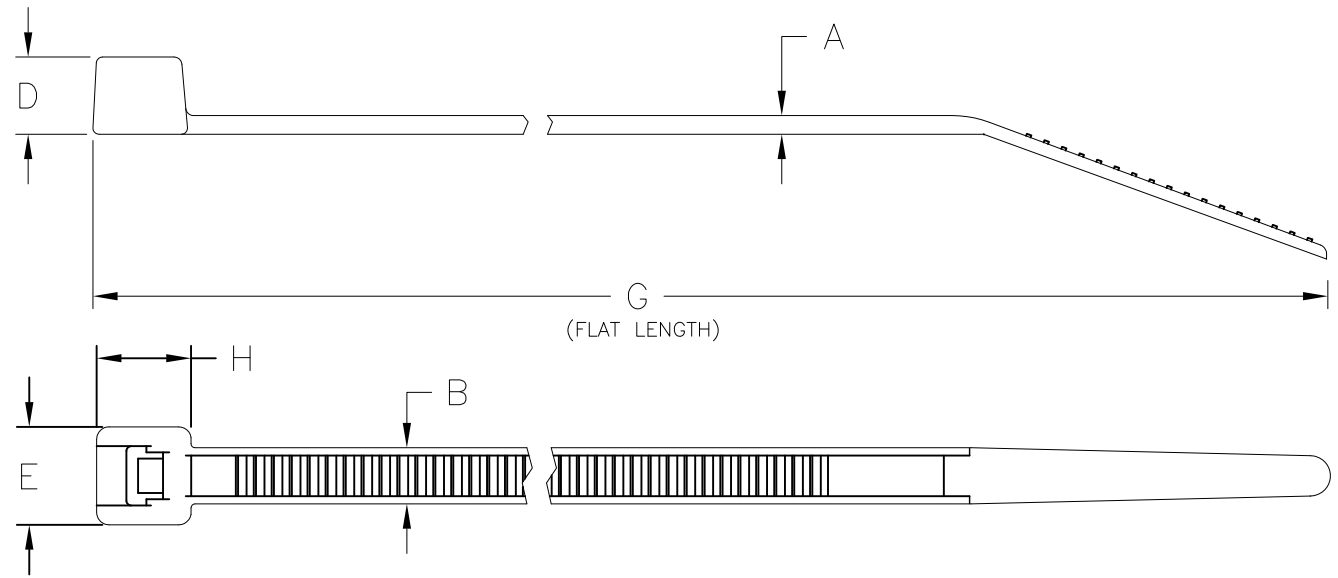
Tel: +86-755-8981 8866 Fax: +86-755-8427 6832

Email & Skype: info@chipsmall.com Web: www.chipsmall.com

Address: A1208, Overseas Decoration Building, #122 Zhenhua RD., Futian, Shenzhen, China



Revision level		Revision Record	Changed	Date	Approved	Date
part	drawing					
	07	See ECN 012383	A.A.C.	06/14/13	K.A.C.	06/14/13



PRODUCT CODE DESCRIPTION

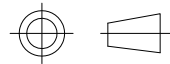
T3OR\_VO  
 COLOR  
 (CONSULT FACTORY FOR AVAILABLE COLORS)

Aerospace Spec. Tie SAE AS33671 Type 1, Class 1	Type	Cable Range (mm)	Material	A	B	D	E	G	H
yes	T3OR	1.5 to 35	PA66	1.1 ±0.2	3.6 ±0.5	4.28 ±0.8	6.0 ±0.5	148.0 ±7.0	5.9 ±0.5
no		1.5 to 35	PA66HS						
no		1.5 to 35	PA66HIRHSUV						
no		1.5 to 35	PA66UV						
no		3 to 35	PA66VO						
no		1.5 to 35	PA46						



135N
Minimum Loop Tensile Strength
SEE CHART
Material
Dimension tolerances unless otherwise specified .XXX = .XXX = .XX = .X = NOTED ∠ =
Dimension Units mm
PERFORMANCE SPECIFICATION

ACAD MECH  
2010



Drawn G.G.G. 11/9/93  
Approved K.A.C. 06/14/13

Scale 2:1 Computer File Number CT\CST\2030001\_07

ALL PROPRIETARY RIGHTS IN THE SUBJECT MATTER SHOWN ON THIS DRAWING ARE EXCLUSIVE PROPERTY OF HELLERMANNTYTON

**HellermannTyton**

7930 N. Faulkner Rd.  
Milwaukee, WI 53224  
Ph: (414) 355-1130  
Fx: (414) 362-8338

**T3OR  
STANDARD CABLE TIE**

Drawing-No

**CT2030001CST**

Format AH  
Sheet 1 of 1