



Chipsmall Limited consists of a professional team with an average of over 10 year of expertise in the distribution of electronic components. Based in Hongkong, we have already established firm and mutual-benefit business relationships with customers from,Europe,America and south Asia,supplying obsolete and hard-to-find components to meet their specific needs.

With the principle of "Quality Parts,Customers Priority,Honest Operation,and Considerate Service",our business mainly focus on the distribution of electronic components. Line cards we deal with include Microchip,ALPS,ROHM,Xilinx,Pulse,ON,Everlight and Freescale. Main products comprise IC,Modules,Potentiometer,IC Socket,Relay,Connector.Our parts cover such applications as commercial,industrial, and automotives areas.

We are looking forward to setting up business relationship with you and hope to provide you with the best service and solution. Let us make a better world for our industry!



Contact us

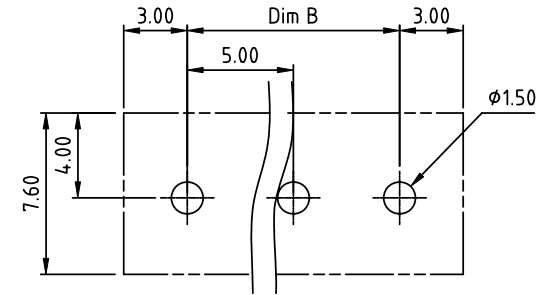
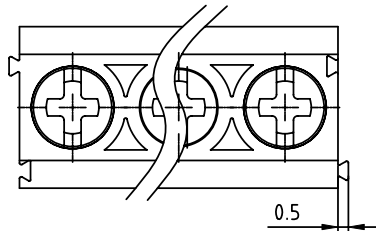
Tel: +86-755-8981 8866 Fax: +86-755-8427 6832

Email & Skype: info@chipsmall.com Web: www.chipsmall.com

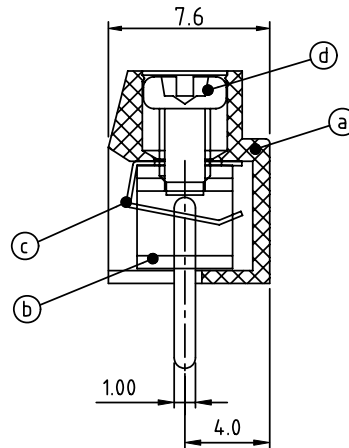
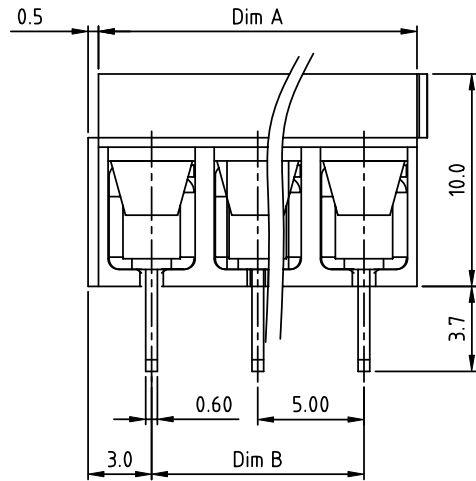
Address: A1208, Overseas Decoration Building, #122 Zhenhua RD., Futian, Shenzhen, China



PRODUCT NUMBER	PITCH
T3xx04x400J0G	5.00 mm



RECOMMENDED P.C.B LAYOUT
TOP VIEW



Material:

- Item Ⓐ Terminal housing: Thermoplastic (UL 94V-0)
- Item Ⓒ Terminal body: Brass stamping Tin plated,
- Item Ⓓ Wire guard: Stainless steel
- Item Ⓔ Terminal screw: Steel Zinc plating"/+/-"combination type

Electrical cULus/TUV

- Voltage rating: 300VAC/250VAC
- Current rating: 8A/12A
- Wire range:
- Solid wire(AWG): 14-26/0.2-2.5mm²
- Stranded wire(AWG): 14-26/0.2-2.5mm²
- Torque: 3.5Lb-In/0.4Nm
- Screw: M2.5
- Wire strip length: 5-6mm
- Withstanding Voltage: 1.6KV
- Operating temperature: -40°C to +115°C/ -40°C to +105°C
- Soldering temperature: 260°C±5°C/5 Sec
- Safety Approval:

N = Number of poles
Dim A=Nx5.0
Dim B=(N-1)x5.0

Poles	Tolerance
4-5p	±0.10
6-10p	±0.15
11-15p	±0.20
16-20p	±0.25
21-24p	±0.30

PART NO.: T3 xx 04 x 4 00J0 G

- | | | | |
|---|--------------|---------------------|-----------------|
| ↓ | Solid block | Body Color | RoHS compliant |
| ↓ | No. of poles | 0 Black (RAL9005) | (lead<4%) |
| ↓ | 04 4 poles | 2 Red (RAL3001/D) | In copper Alloy |
| ↓ | 05 5 poles | 3 Orange(RAL2011/P) | |
| ↓ | ... | 4 Yellow(RAL1018/A) | |
| ↓ | ... | 5 Green(RAL6018/T) | |
| ↓ | 24 24 poles | 6 Blue (RAL5015/A) | |
| | | 8 Grey(RAL7035/D) | |
| | | 9 White(RAL1102) | |
| | | C Green(RAL6018/U) | |

mat'l. code		surface ASME Y14.5	tolerance ASME Y14.5	projection 	product family TERMINAL BLOCK
ltr	ecn no	dr	date		title TERMINAL BLOCK
				MM	WIRE PROTECTOR,180D WIRE INLET
				scale	FCI
		dr	EVIN ZHONG	040114	dwg no
		engr	EVIN ZHONG	040114	sheet 1 of 1
		chr	HANKE FENG	040114	size
		appd	SHI JUN	040114	A4
sheet index	revision	A		type CUSTOMER Drawing	
	sheet	1			