



Chipsmall Limited consists of a professional team with an average of over 10 year of expertise in the distribution of electronic components. Based in Hongkong, we have already established firm and mutual-benefit business relationships with customers from,Europe,America and south Asia,supplying obsolete and hard-to-find components to meet their specific needs.

With the principle of “Quality Parts,Customers Priority,Honest Operation,and Considerate Service”,our business mainly focus on the distribution of electronic components. Line cards we deal with include Microchip,ALPS,ROHM,Xilinx,Pulse,ON,Everlight and Freescale. Main products comprise IC,Modules,Potentiometer,IC Socket,Relay,Connector.Our parts cover such applications as commercial,industrial, and automotives areas.

We are looking forward to setting up business relationship with you and hope to provide you with the best service and solution. Let us make a better world for our industry!



Contact us

Tel: +86-755-8981 8866 Fax: +86-755-8427 6832

Email & Skype: info@chipsmall.com Web: www.chipsmall.com

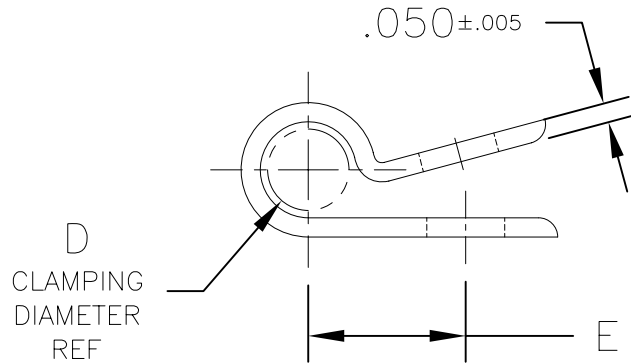
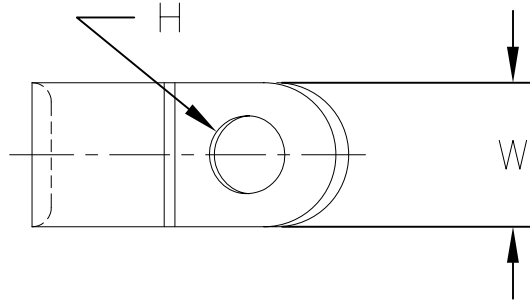
Address: A1208, Overseas Decoration Building, #122 Zhenhua RD., Futian, Shenzhen, China



name	date	city, state

NOTES

* POLYPROPYLENE AVAILABLE BASED UPON MINIMUM VOLUME REQUIREMENTS. CONSULT FACTORY



PRODUCT CODE DESCRIPTION

T3D0312
 └── COLOR
 (CONSULT FACTORY FOR AVAILABLE COLORS)

PART NUMBER	D REF	W ±.010	H ±.015	E ±.015
T3D0125_	.125	.375	.203	.329
T3D0187_	.1875	.375	.203	.430
T3D0312_	.3125	.375	.203	.495
T3D0375_	.375	.375	.203	.595
T3D0437_	.4375	.375	.203	.574
T3D0500_	.500	.375	.203	.605
T3D0562_	.5625	.375	.203	.606
T3D0625_	.625	.375	.203	.678

REVISION	D level	01
	date	01/11/01
	by	AAM
	ECN #	002339
part level	A	

DIMENSIONS	.XXXX=	
	.XXX=	NOTED
	.XX=	
	.X=	
	∠=	
	unless otherwise specified	
units	inches	

PART	number	SEE CHART	phase	PRODUCTION
	name	T3D SERIES T CLAMPS		
	material	* NYLON 6/6		

DRAWING	FORMAT	AV	version	L	CAD	ACAD	scale	2X
	computer file number	CL\SER\2010300_01						
	drawn	A.A.M.	checked	K.A.C.	approved			
	date	01/11/01	date	01/15/01				
	type	SERIES				sheet	1 of 1	
	number	CL2010300SER						