



Chipsmall Limited consists of a professional team with an average of over 10 year of expertise in the distribution of electronic components. Based in Hongkong, we have already established firm and mutual-benefit business relationships with customers from,Europe,America and south Asia,supplying obsolete and hard-to-find components to meet their specific needs.

With the principle of "Quality Parts,Customers Priority,Honest Operation,and Considerate Service",our business mainly focus on the distribution of electronic components. Line cards we deal with include Microchip,ALPS,ROHM,Xilinx,Pulse,ON,Everlight and Freescale. Main products comprise IC,Modules,Potentiometer,IC Socket,Relay,Connector.Our parts cover such applications as commercial,industrial, and automotives areas.

We are looking forward to setting up business relationship with you and hope to provide you with the best service and solution. Let us make a better world for our industry!



Contact us

Tel: +86-755-8981 8866 Fax: +86-755-8427 6832

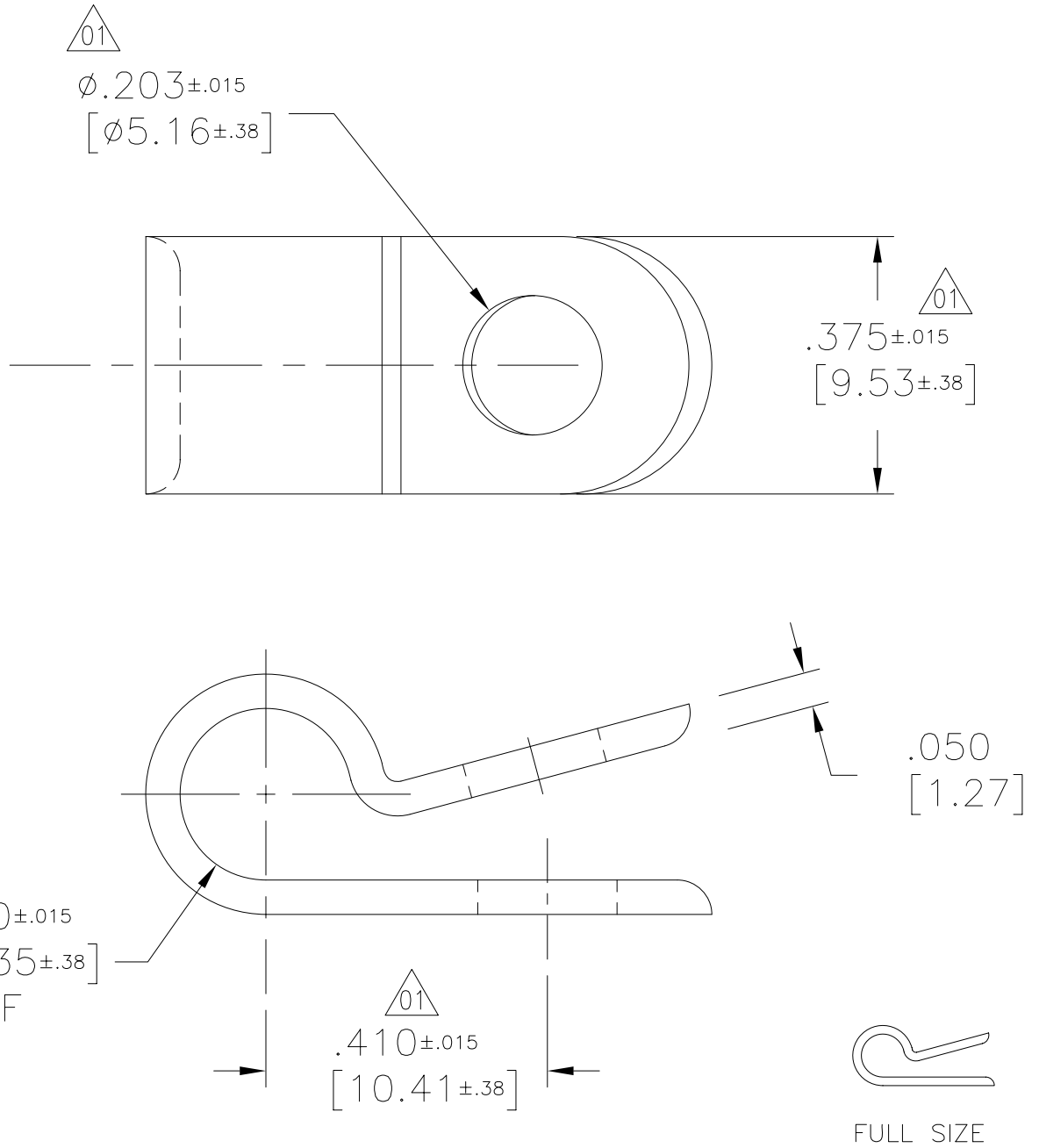
Email & Skype: info@chipsmall.com Web: www.chipsmall.com

Address: A1208, Overseas Decoration Building, #122 Zhenhua RD., Futian, Shenzhen, China



name	date	city, state

NOTES:
 POLYPROPYLENE AVAILABLE BASED UPON
 MINIMUM VOLUME REQUIREMENTS CONSULT FACTORY



PRODUCT CODE DESCRIPTION

T3D0250

COLOR

(CONSULT FACTORY FOR AVAILABLE COLORS)

REVISION	DRAWING level	01
	date	03/24/03
	by	AAC
	ECN #	001666
part level	-	

DIMENSIONS	.XXXX=	
	.XXX=	$\pm .010 / \pm .25$
	.XX=	
	.X=	
	\angle =	
unless otherwise specified		
units	inches/mm	

PART	number	T3D0250__	phase	PRODUCTION
	name	T3D0250 T CLAMP		
	material	* NYLON 6/6		

DRAWING	FORMAT AV version M	CAD ACAD	scale	4X
	computer file number	previous number		
	CL\CST\2001004_01	CL\CST\2001004A		
	drawn	K.A.C.	checked	K.A.C.
	08/10/95	03/25/03	approved	
type	CUSTOMER	sheet	1 of 1	
number	CL2001004CST			