



Chipsmall Limited consists of a professional team with an average of over 10 year of expertise in the distribution of electronic components. Based in Hongkong, we have already established firm and mutual-benefit business relationships with customers from,Europe,America and south Asia,supplying obsolete and hard-to-find components to meet their specific needs.

With the principle of "Quality Parts,Customers Priority,Honest Operation,and Considerate Service",our business mainly focus on the distribution of electronic components. Line cards we deal with include Microchip,ALPS,ROHM,Xilinx,Pulse,ON,Everlight and Freescale. Main products comprise IC,Modules,Potentiometer,IC Socket,Relay,Connector.Our parts cover such applications as commercial,industrial, and automotives areas.

We are looking forward to setting up business relationship with you and hope to provide you with the best service and solution. Let us make a better world for our industry!



## Contact us

Tel: +86-755-8981 8866 Fax: +86-755-8427 6832

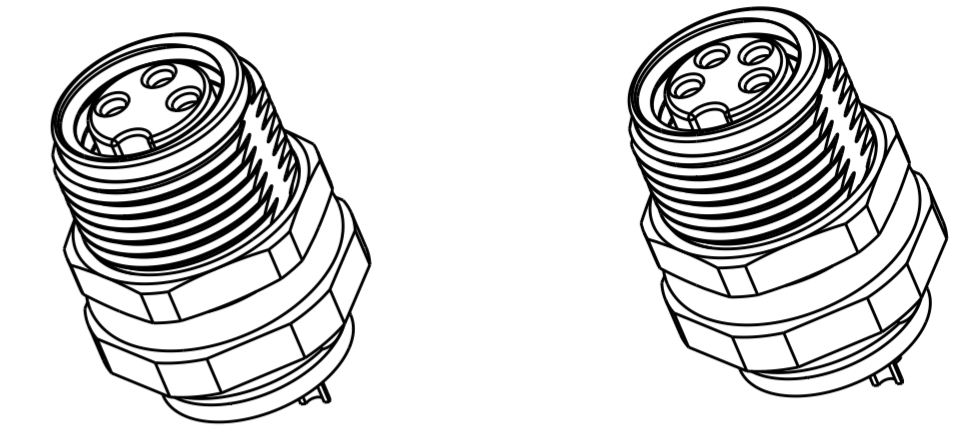
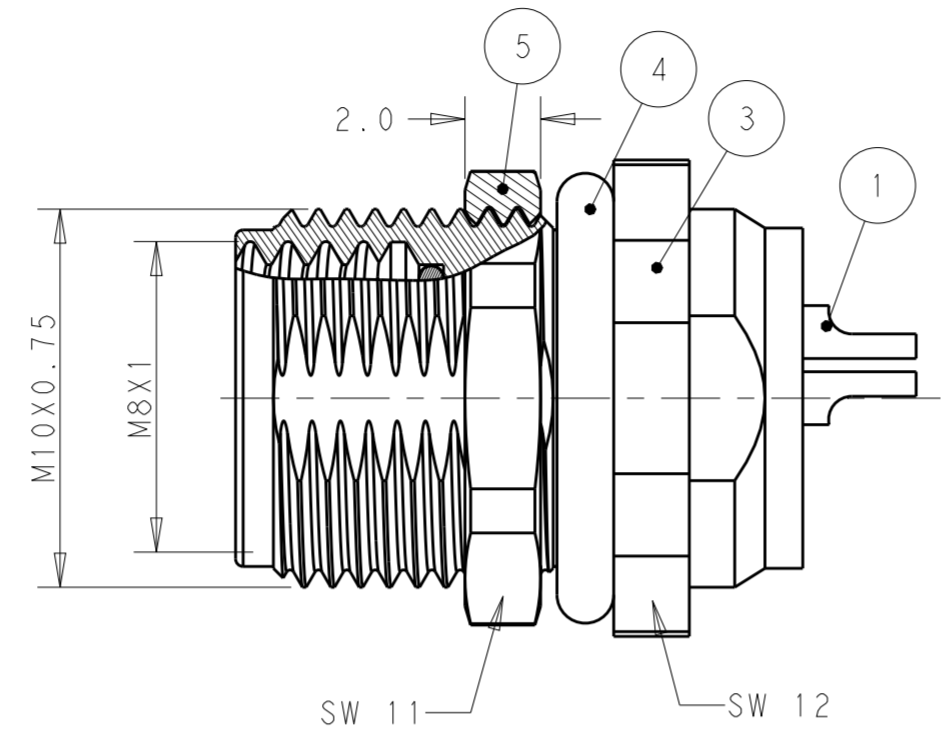
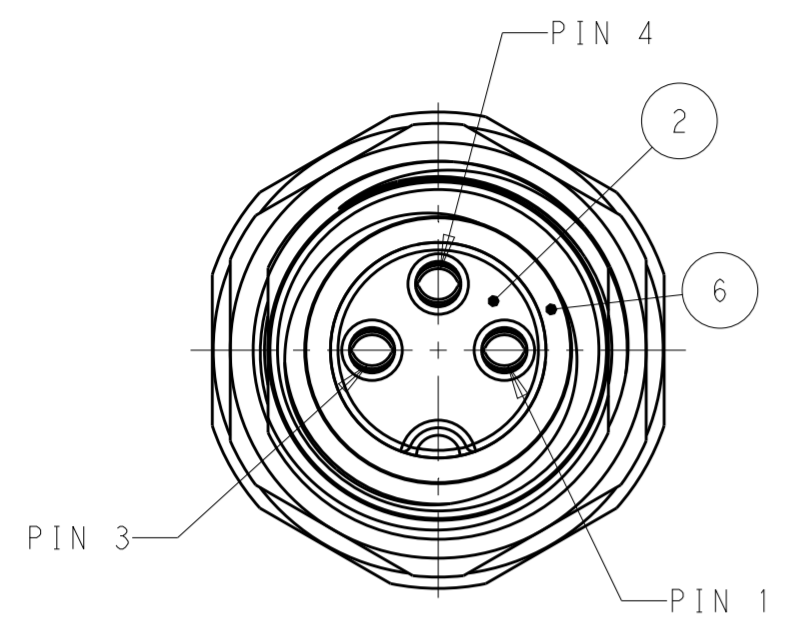
Email & Skype: info@chipsmall.com Web: www.chipsmall.com

Address: A1208, Overseas Decoration Building, #122 Zhenhua RD., Futian, Shenzhen, China



THIS DRAWING IS UNPUBLISHED. RELEASED FOR PUBLICATION 20  
 © COPYRIGHT 20 BY - ALL RIGHTS RESERVED.

REVISIONS				
P	LTR	DESCRIPTION	DATE	APVD
A		INITIAL RELEASE	19DEC2016	N.P X.X

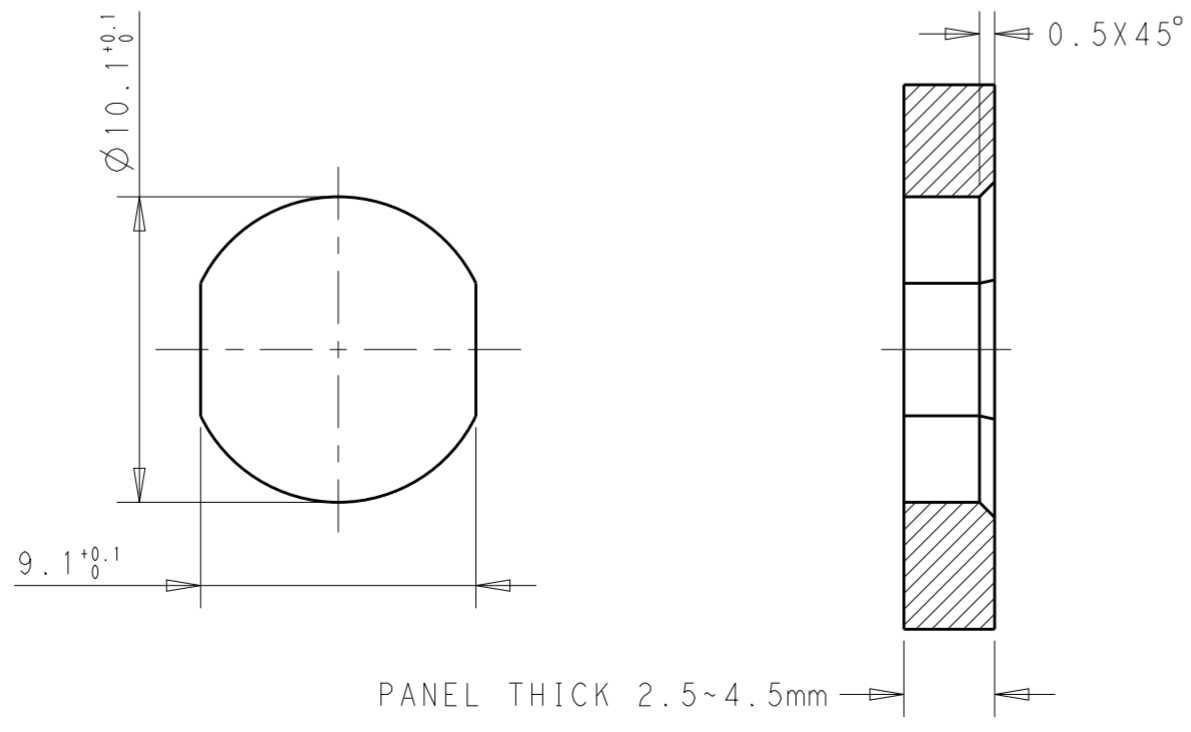
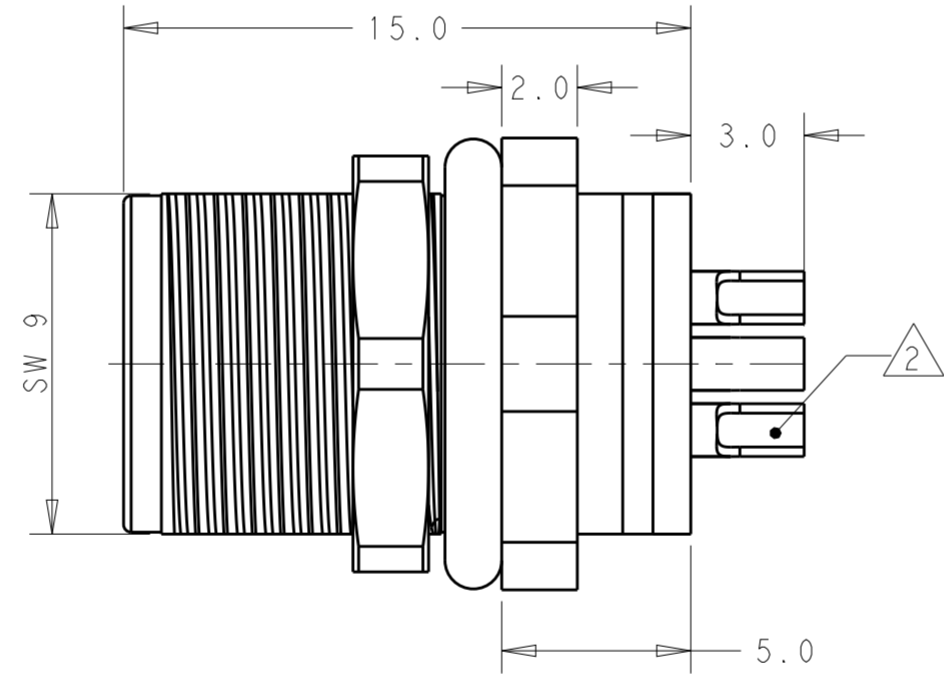
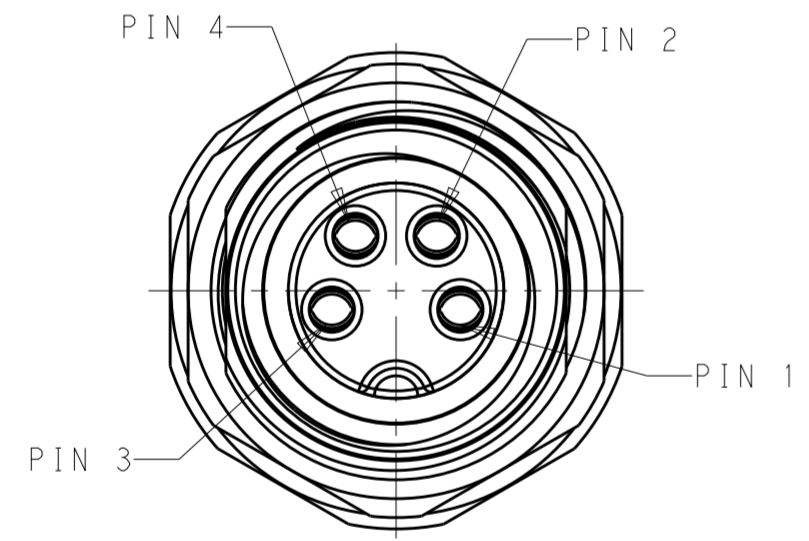


NOTES:

- 1. TECHNICAL DATA: SEE TABLE 1
- 2. CONTACT SOLIDER CUP.
- 3. THE WIRE COLOR FOR SOLIDERING: PIN 1 BROWN; PIN 2 WHITE; PIN 3 BLUE; PIN 4 BLACK;
- 4. ALL PRODUCT MUST COMPLIANCE WITH ROHS AND REACH.

注意事项

- 1. 技术参数：见表1
- 2. 端子焊杯；
- 3. 焊接线的颜色：PIN 1棕色，PIN 2白色，PIN 3蓝色，PIN 4黑色；
- 4. 产品必须符合ROHS与REACH。



RECOMMENDED PANEL SIZE

TABLE 1

TECHNICAL DATA	T4031017031-000	T4031017041-000
RATED IMPULSE VOLTAGE	1500V	800V
RATED VOLTAGE	60V	30V
RATED CURRENT	3A	
OVERVOLTAGE CATEGORY	II	
MATERIAL GROUP	II	
DEGREE OF PROTECTION	IP67	
TEMPERATURE	-40°C~85°C	

MATERIAL	DESCRIPTON	ITEM
RUBBER	O-RING	6
COPPER ALLOY	NUT	5
RUBBER	O-RING	4
COPPER ALLOY	BODY NUT	3
PA66	HOUSING	2
COPPER ALLOY	CONTACT	1

TYPE	POS.	PART NUMBER
RPC-M8-FF-4CON-M10-LAU	4	T4031017041-000
RPC-M8-FF-3CON-M10-LAU	3	T4031017031-000

THIS DRAWING IS A CONTROLLED DOCUMENT.		DWN Nick Pan 28NOV2016
DIMENSIONS: mm		CHK Kobby Zhao 28NOV2016
TOLERANCES UNLESS OTHERWISE SPECIFIED:		APVD Xiang Xu 28NOV2016
0 PLC	±	PRODUCT SPEC
1 PLC	±0.25	108-106140
2 PLC	±0.15	APPLICATION SPEC
3 PLC	±0.10	114-137144-1
4 PLC	±	WEIGHT
ANGLES	±	
FINISH	-	
MATERIAL TBD	finish_spec_2	CUSTOMER DRAWING

**STE** TE Connectivity

M8 PANEL CONNECTOR SOLDERING WIRE FEMALE SIDE, UNSHIELDED, REAR MOUNTING

SIZE A2	CAGE CODE -	DRAWING NO. G-T40310170X1000	RESTRICTED TO -
SCALE 5:1	SHEET 1 OF 1	REV A	