



Chipsmall Limited consists of a professional team with an average of over 10 year of expertise in the distribution of electronic components. Based in Hongkong, we have already established firm and mutual-benefit business relationships with customers from,Europe,America and south Asia,supplying obsolete and hard-to-find components to meet their specific needs.

With the principle of “Quality Parts,Customers Priority,Honest Operation,and Considerate Service”,our business mainly focus on the distribution of electronic components. Line cards we deal with include Microchip,ALPS,ROHM,Xilinx,Pulse,ON,Everlight and Freescale. Main products comprise IC,Modules,Potentiometer,IC Socket,Relay,Connector.Our parts cover such applications as commercial,industrial, and automotives areas.

We are looking forward to setting up business relationship with you and hope to provide you with the best service and solution. Let us make a better world for our industry!



Contact us

Tel: +86-755-8981 8866 Fax: +86-755-8427 6832

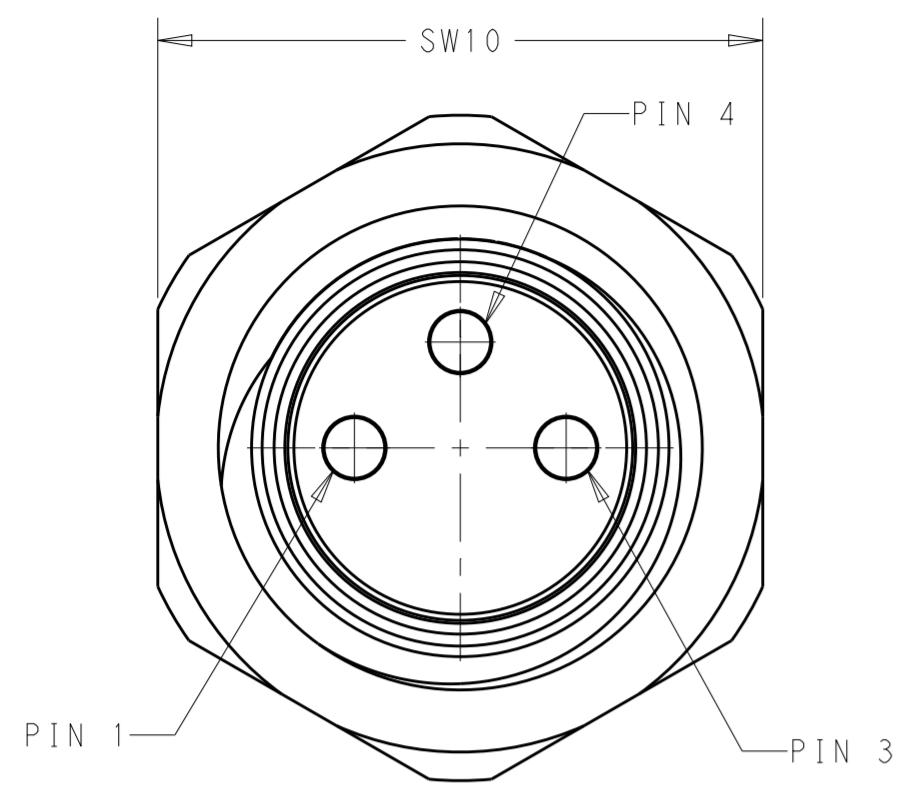
Email & Skype: info@chipsmall.com Web: www.chipsmall.com

Address: A1208, Overseas Decoration Building, #122 Zhenhua RD., Futian, Shenzhen, China

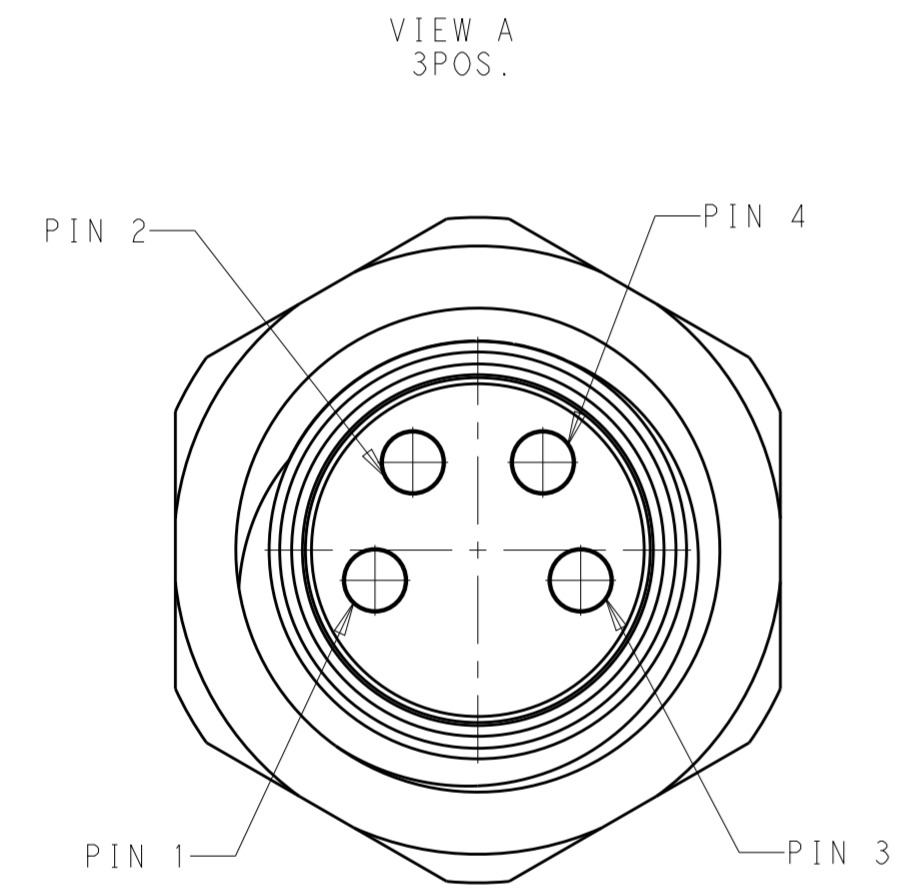
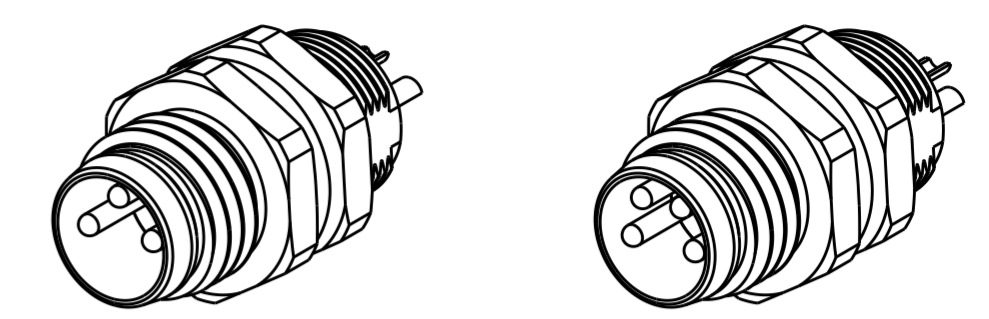
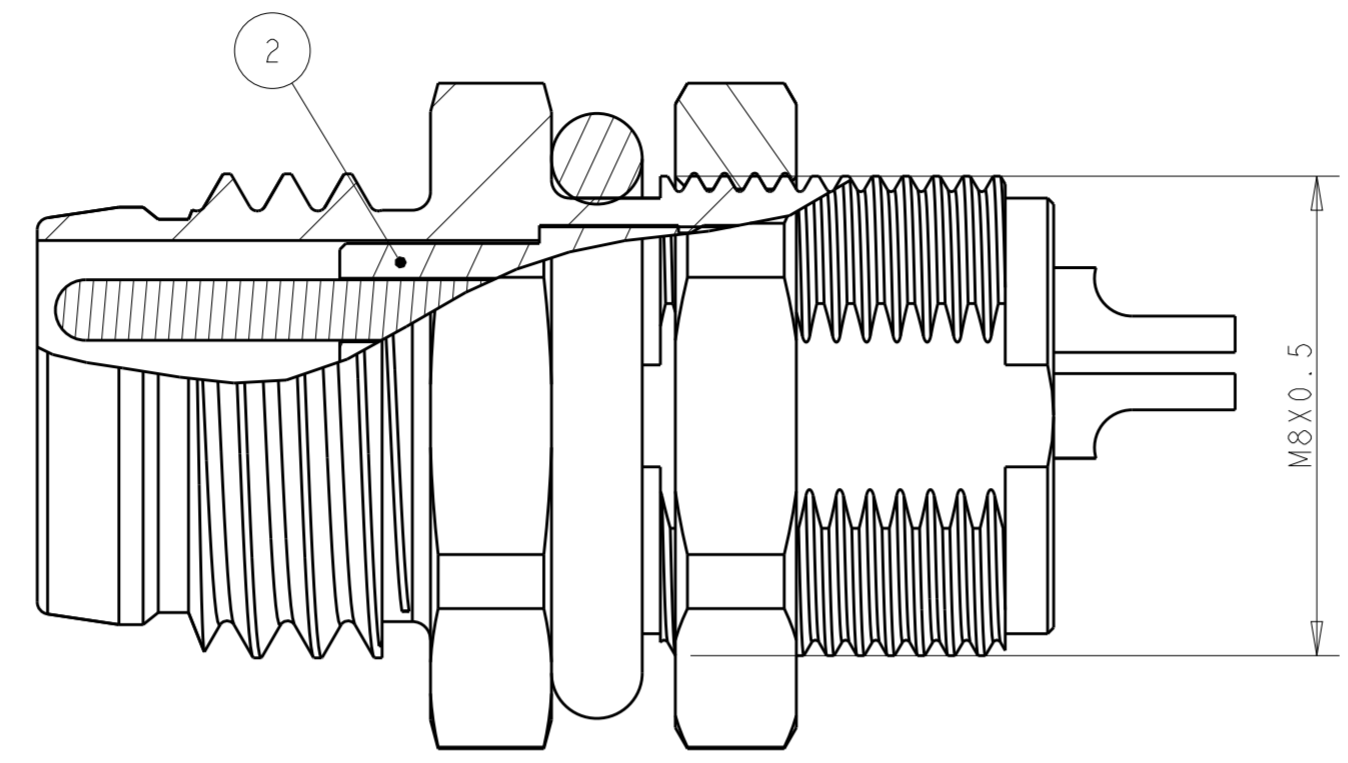


THIS DRAWING IS UNPUBLISHED. RELEASED FOR PUBLICATION 20
 © COPYRIGHT 20 BY - ALL RIGHTS RESERVED.

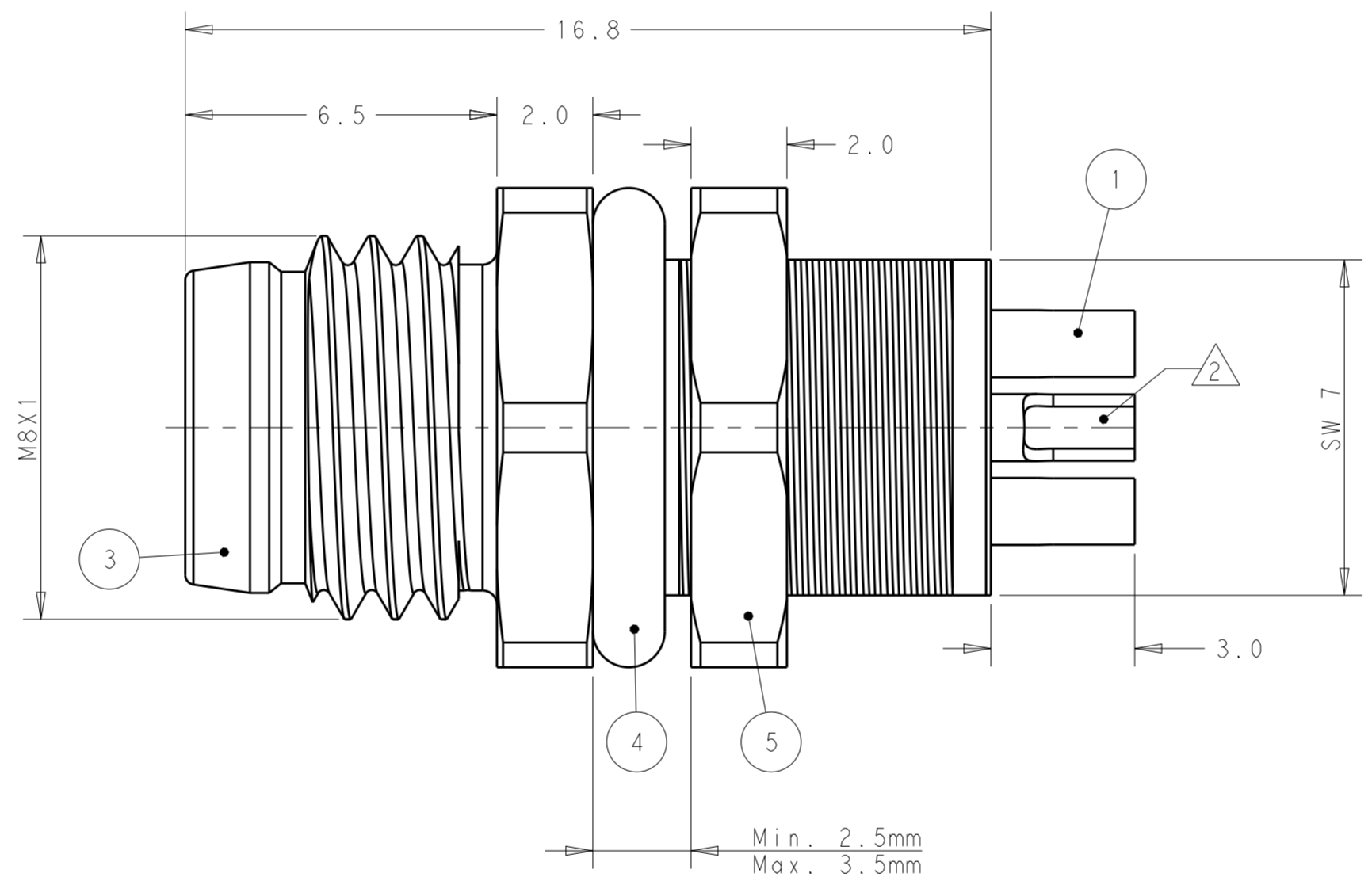
REVISIONS				
P	LTR	DESCRIPTION	DATE	APVD
A		INITIAL RELEASE	01AUG2016	N.P X.X



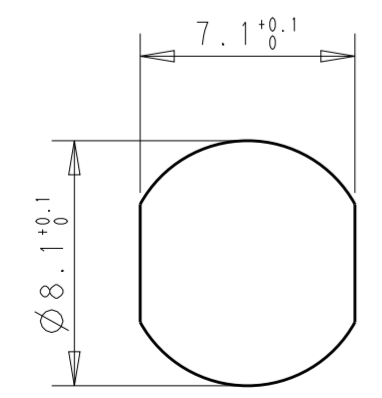
VIEW A



VIEW A
3POS.



Min. 2.5mm
Max. 3.5mm
RECOMMENDED
PANEL THICKNESS



PANEL MOUNTING
HOLE SIZE

NOTES:

1. TECHNICAL DATA: SEE TABLE 1
2. CONTACT SOLIDER CUP;
3. THE WIRE COLOR FOR SOLIDERING: PIN 1 BROWN; PIN 2 WHITE; PIN 3 BLUE; PIN 4 BLACK;
4. ALL PRODUCT MUST COMPLIANCE WITH ROHS AND REACH.

注意事项

1. 技术参数: 见表 1
2. 端子焊杯;
3. 焊接线的颜色: PIN 1棕色, PIN 2白色, PIN 3蓝色, PIN 4黑色;
4. 产品必须符合ROHS与REACH.

TABLE 1

TECHNICAL DATA	T4032014031-000	T4032014041-000
RATED IMPULSE VOLTAGE	1500V	800V
RATED VOLTAGE	60V	30V
RATED CURRENT	3A	
POLLETION DEGREE	3	
OVERVOLTAGE CATEGORY	II	
MATERIAL GROUP	II	
DEGREE OF PROTECTION	IP67	
TEMPERATURE	-40°C~85°C	

THIS DRAWING IS A CONTROLLED DOCUMENT.

DIMENSIONS:	TOLERANCES UNLESS OTHERWISE SPECIFIED:
mm	
0 PLC	±
1 PLC	±0.25
2 PLC	±0.15
3 PLC	±
4 PLC	±
ANGLES	±
FINISH	-

DWN	Nick Pan	01AUG2016
CHK	Kobby Zhao	01AUG2016
APVD	Xiang Xu	01AUG2016
PRODUCT SPEC	108-106140	
APPLICATION SPEC	114-137144-1	
WEIGHT	-	
CUSTOMER DRAWING	SCALE 7:1 SHEET 1 OF 1 REV A	

MATERIAL	DESCRIPTION	ITEM
COPPER ALLOY	NUT	5
RUBBER	O-RING	4
COPPER ALLOY	BODY NUT	3
PA66	HOUSING	2
COPPER ALLOY	CONTACT	1

RPC-M8-MB-4CON-M8-LAU	4	T4032014041-000
RPC-M8-MB-3CON-M8-LAU	3	T4032014031-000
TYPE	POS.	PART NUMBER



NAME			
M8 PANEL CONNECTOR MALE SIDE SOLDER TYPE WITHOUT WIRE FRONT MOUNTING			
SIZE	CAGE CODE	DRAWING NO	RESTRICTED TO
A2	-	©-T40320140X1000	-