



Chipsmall Limited consists of a professional team with an average of over 10 year of expertise in the distribution of electronic components. Based in Hongkong, we have already established firm and mutual-benefit business relationships with customers from,Europe,America and south Asia,supplying obsolete and hard-to-find components to meet their specific needs.

With the principle of “Quality Parts,Customers Priority,Honest Operation,and Considerate Service”,our business mainly focus on the distribution of electronic components. Line cards we deal with include Microchip,ALPS,ROHM,Xilinx,Pulse,ON,Everlight and Freescale. Main products comprise IC,Modules,Potentiometer,IC Socket,Relay,Connector.Our parts cover such applications as commercial,industrial, and automotives areas.

We are looking forward to setting up business relationship with you and hope to provide you with the best service and solution. Let us make a better world for our industry!



Contact us

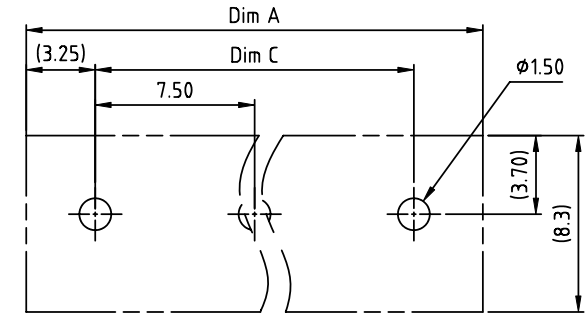
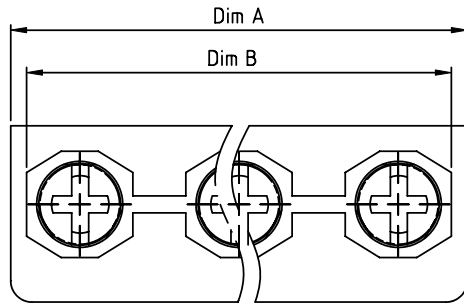
Tel: +86-755-8981 8866 Fax: +86-755-8427 6832

Email & Skype: info@chipsmall.com Web: www.chipsmall.com

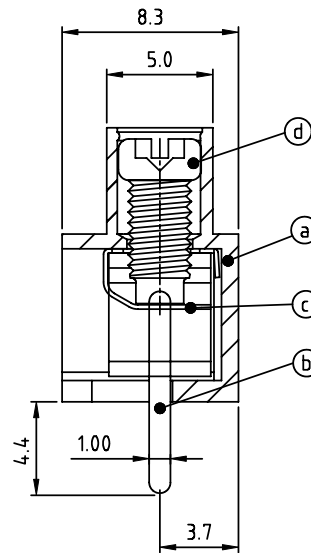
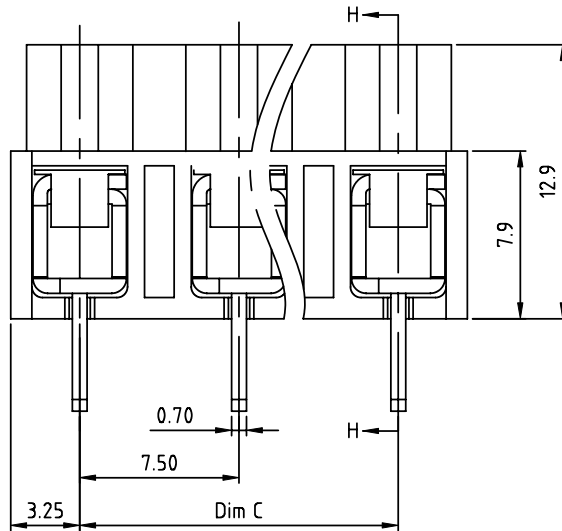
Address: A1208, Overseas Decoration Building, #122 Zhenhua RD., Futian, Shenzhen, China



PRODUCT NUMBER	PITCH
T4xx24x000J0G	7.50 mm



RECOMMENDED P.C.B LAYOUT
TOP VIEW



SECTION H-H

Material:

- Item a Insulator(housing):Thermoplastic (UL 94V-0)
- Item b Terminal: Brass Stamping, Tin plated
- Item c Wire guard:Stainless steel
- Item d Terminal screw: Steel Zinc plating"+/-"combination type

Electrical cULus

- Voltage rating: 300VAC
- Current rating: 10A
- Wire range:
- Solid wire(AWG): 12-20
- Stranded wire(AWG): 12-20
- Torque: 3.5Lb-In
- Screw: M3
- Wire strip length: 6-7mm
- Withstanding Voltage: 1.6KV
- Operating temperature: -40°C to +115°C
- Soldering temperature: 260°C±5°C/5 Sec
- Safety Approval:

DIMENSION

Dim A	$N \times 7.5 - 1.0$
Dim B	$(N-1) \times 7.5 + 5.0$
Dim C	$(N-1) \times 7.5$

N=Number of Poles

Poles	Tolerance
2p-8p	±0.25
9p-16p	±0.40

PART NO.: T4 xx 24 x 0 00J0 G

Solid block	Body Color	RoHS compliant
No. of poles 0	Black (RAL9005)	(lead<4%)
02 2 poles	2 Red (RAL3001/D)	In copper Alloy
03 3 poles	3 Orange(RAL2011/P)	
...	4 Yellow(RAL1018/A)	
16 16 poles	5 Green(RAL6018/T)	
	6 Blue (RAL5015/A)	
	8 Grey(RAL7035/D)	
	9 White(RAL1102)	
	C Green(RAL6018/U)	

mat'l. code		surface ASME Y14.5	tolerance ASME Y14.5	projection	product family TERMINAL BLOCK
ltr	ecn no	dr	date		title TERMINAL BLOCK
tolerances unless otherwise specified				MM	scale WIRE PROTECTOR,180D WIRE INLET,SOLID BLOCK
angles		X.±0.5			dwg no T4xx24x000J0G
X°±1'		X.XX±0.3			sheet 1 of 1 size A4
		X.XX±0.1			type CUSTOMER Drawing
dr	ENGR	EVIN ZHONG	040114		
enr		EVIN ZHONG	040114		
chr		HANKE FENG	040114		
appd		SHI JUN	040114		
sheet index	revision	A	1		