



Chipsmall Limited consists of a professional team with an average of over 10 year of expertise in the distribution of electronic components. Based in Hongkong, we have already established firm and mutual-benefit business relationships with customers from,Europe,America and south Asia,supplying obsolete and hard-to-find components to meet their specific needs.

With the principle of “Quality Parts,Customers Priority,Honest Operation,and Considerate Service”,our business mainly focus on the distribution of electronic components. Line cards we deal with include Microchip,ALPS,ROHM,Xilinx,Pulse,ON,Everlight and Freescale. Main products comprise IC,Modules,Potentiometer,IC Socket,Relay,Connector.Our parts cover such applications as commercial,industrial, and automotives areas.

We are looking forward to setting up business relationship with you and hope to provide you with the best service and solution. Let us make a better world for our industry!



Contact us

Tel: +86-755-8981 8866 Fax: +86-755-8427 6832

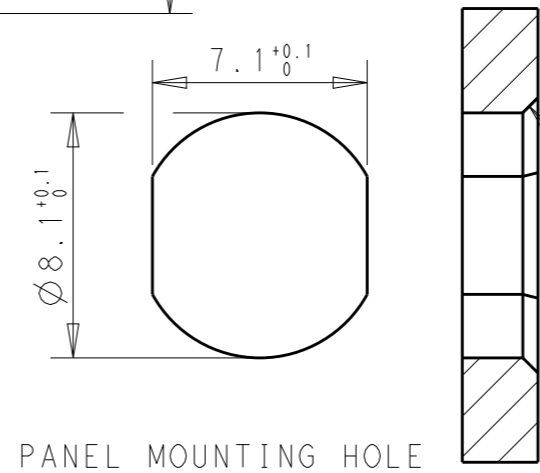
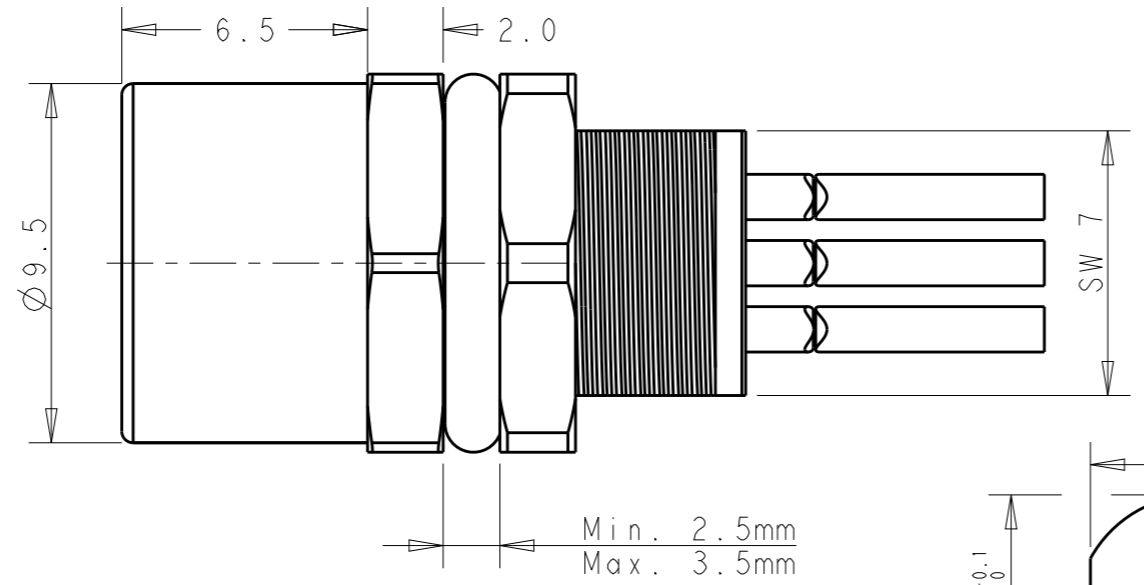
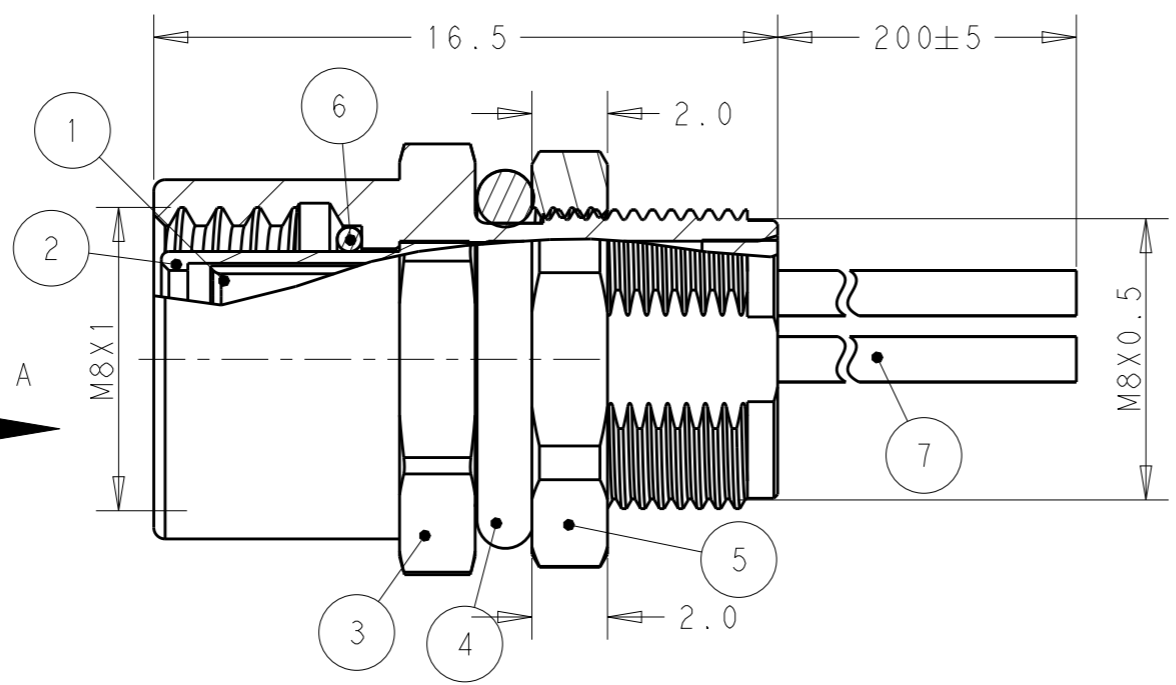
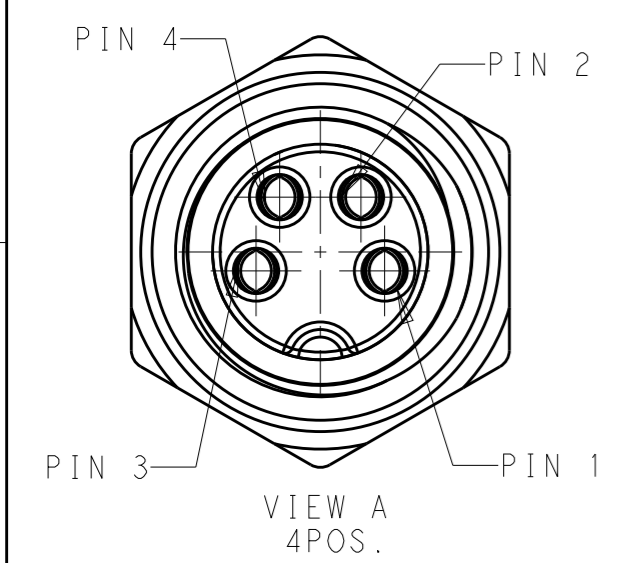
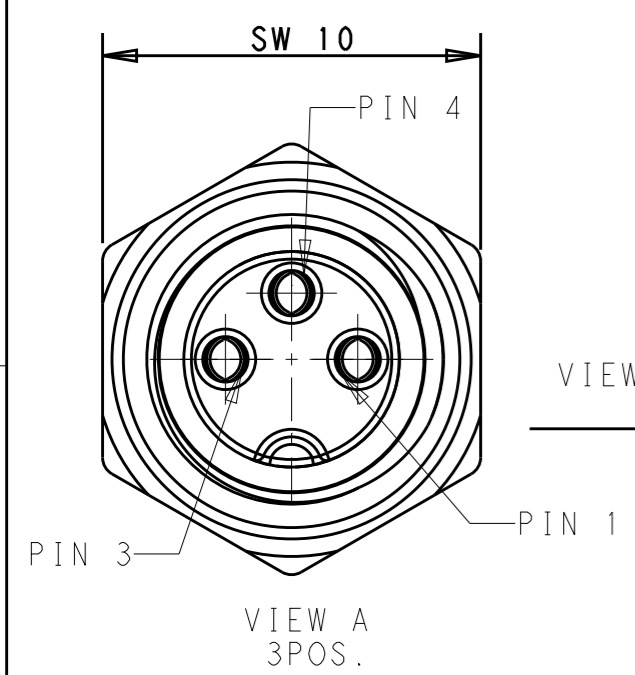
Email & Skype: info@chipsmall.com Web: www.chipsmall.com

Address: A1208, Overseas Decoration Building, #122 Zhenhua RD., Futian, Shenzhen, China

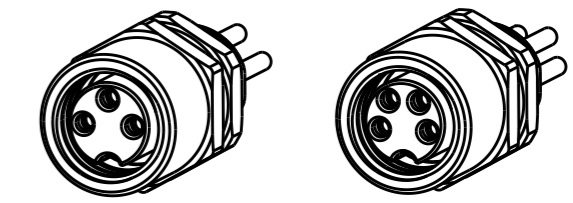


THIS DRAWING IS UNPUBLISHED. RELEASED FOR PUBLICATION 20
 © COPYRIGHT 20 BY - ALL RIGHTS RESERVED.

REVISIONS					
P	LTR	DESCRIPTION	DATE	DWN	APVD
	A	INITIAL RELEASE	23NOV2016	N.P	X.X



Min. 2.5mm
 Max. 3.5mm
 RECOMMENDED
 PANEL THICKNESS



NOTES:

1. TECHNICAL DATA: SEE TABLE 1
2. THE RELATION BETWEEN WIRE COLOR AND PIN IS: PIN1 BROWN; PIN2 WHITE; PIN3 BLUE; PIN4 BLACK;
3. -00X: CABLE LENGTH. -001:0.2m; -002:0.5m; -003:1.0m; -004:1.5m; -005:3m; -006:5m;
4. IF CUSTOMER NEED OTHER CABLE LENGTH, PLEASE CONTACT TE PRODUCT MANAGER OR SALES FOR HELP.
5. ALL PRODUCT MUST COMPLIANCE WITH ROHS AND REACH.

注意事项

1. 技术参数：见表1
2. PIN数与线颜色的关系是：PIN1棕色线，PIN2白色线，PIN3蓝色线，PIN4黑色线；
3. -00X，X为线长，-001:0.2m；-002:0.5m；-003:1.0m；-004:1.5m；-005:3m；-006:5m；
4. 如果客户需要定制别的长度，请联系TE销售或者产品经理；
5. 产品必须符合ROHS与REACH。

TABLE 1

TECHNICAL DATA	T4073014031-00X	T4073014041-00X
RATED IMPULSE VOLTAGE	1500V	800V
RATED VOLTAGE	60V	30V
RATED CURRENT	3A	
POLLUTION DEGREE	3	
OVERVOLTAGE CATEGORY	II	
MATERIAL GROUP	II	
DEGREE OF PROTECTION	IP67	
TEMPERATURE	-40°C~85°C	

MATERIAL	DESCRIPTION	ITEM
RUBBER	O-RING	7
COPPER ALLOY	NUT	6
RUBBER	O-RING	4
COPPER ALLOY	BODY NUT	3
PA66 UL94 V0	HOUSING	2
COPPER ALLOY	CONTACT	1

TYPE	POS.	PART NUMBER
RPC-M8-FB-4CON-M8-0.2LA	4	T4073014041-001
RPC-M8-FB-3CON-M8-0.2LA	3	T4073014031-001

THIS DRAWING IS A CONTROLLED DOCUMENT.

DWN Nick Pan 04AUG2016
 CHK Kobby Zhao 04AUG2016
 APVD Xiang Xu 04AUG2016

PRODUCT SPEC 108-106140
 APPLICATION SPEC 114-137144-1
 WEIGHT -

CUSTOMER DRAWING

DIMENSIONS:	TOLERANCES UNLESS OTHERWISE SPECIFIED:
mm	
0 PLC	±
1 PLC	±0.25
2 PLC	±0.15
3 PLC	±
4 PLC	±
ANGLES	±

MATERIAL TBD material_2
 FINISH - finish_spec_2

TE TE Connectivity

NAME M8 PANEL CONNECTOR FEMALE SIDE WITH WIRE, FRONT MOUNTING

SIZE	CAGE CODE	DRAWING NO	RESTRICTED TO
A3	-	©-T40730140X100X	-

SCALE 5:1 SHEET 1 OF 1 REV A