



Chipsmall Limited consists of a professional team with an average of over 10 year of expertise in the distribution of electronic components. Based in Hongkong, we have already established firm and mutual-benefit business relationships with customers from,Europe,America and south Asia,supplying obsolete and hard-to-find components to meet their specific needs.

With the principle of “Quality Parts,Customers Priority,Honest Operation,and Considerate Service”,our business mainly focus on the distribution of electronic components. Line cards we deal with include Microchip,ALPS,ROHM,Xilinx,Pulse,ON,Everlight and Freescale. Main products comprise IC,Modules,Potentiometer,IC Socket,Relay,Connector.Our parts cover such applications as commercial,industrial, and automotives areas.

We are looking forward to setting up business relationship with you and hope to provide you with the best service and solution. Let us make a better world for our industry!



Contact us

Tel: +86-755-8981 8866 Fax: +86-755-8427 6832

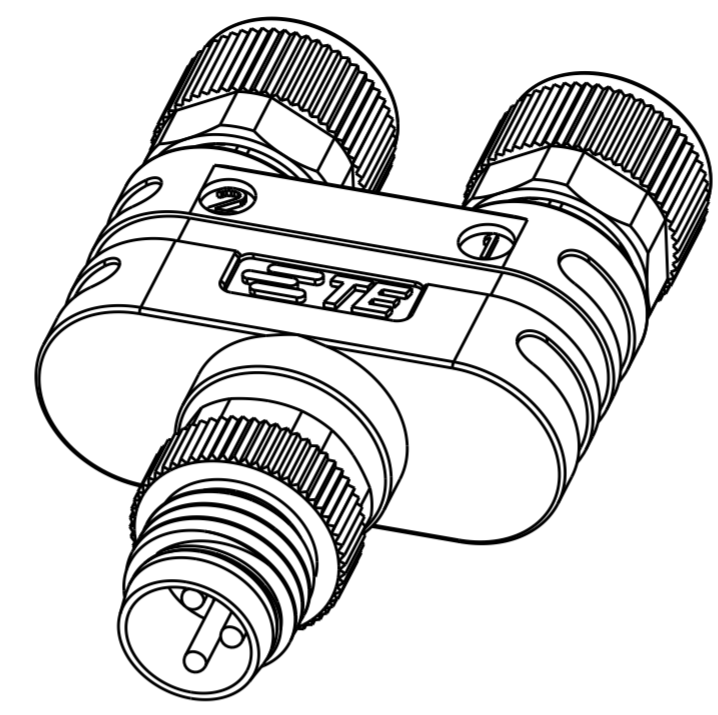
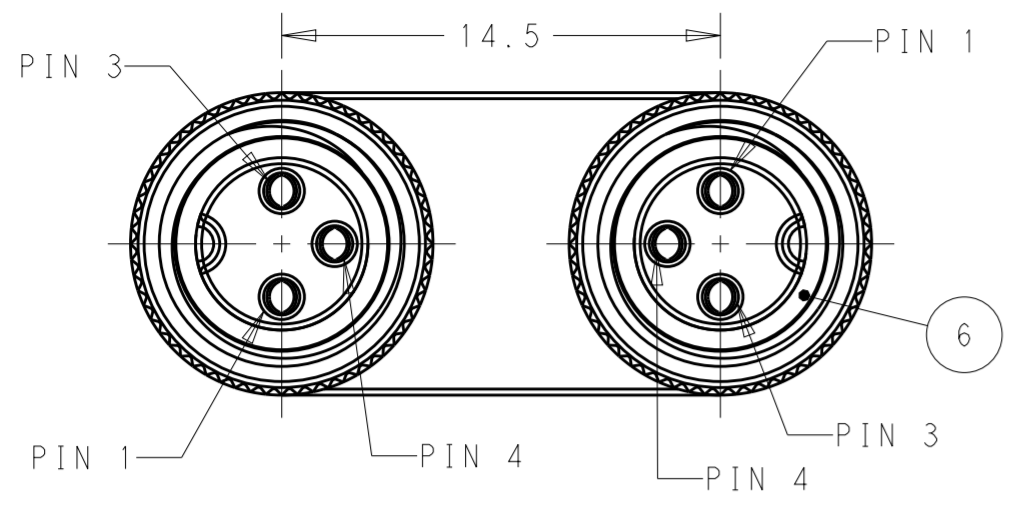
Email & Skype: info@chipsmall.com Web: www.chipsmall.com

Address: A1208, Overseas Decoration Building, #122 Zhenhua RD., Futian, Shenzhen, China

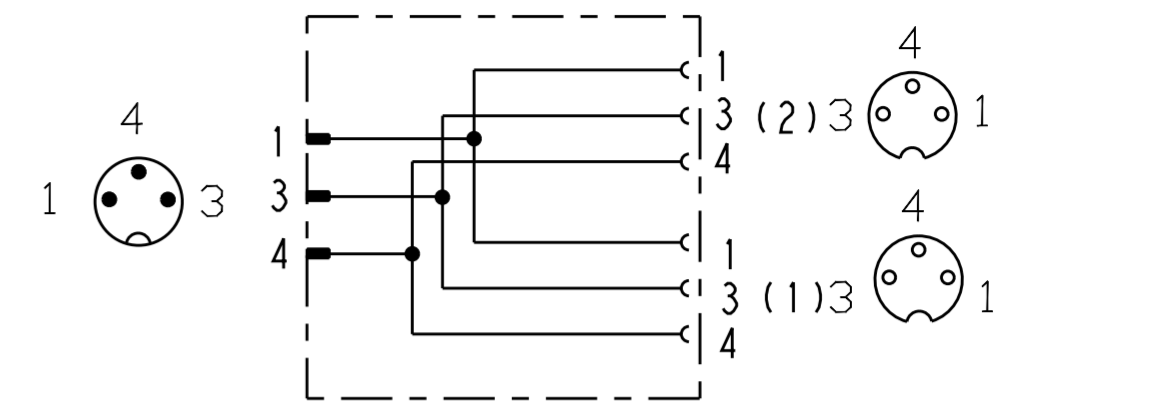


THIS DRAWING IS UNPUBLISHED. RELEASED FOR PUBLICATION
 © COPYRIGHT copyright_d8Te- ALL RIGHTS RESERVED.

| REVISIONS | | | | | |
|-----------|-----|-----------------|-----------|-----|------|
| P | LTR | DESCRIPTION | DATE | DWN | APVD |
| A | | INITIAL RELEASE | 02MAR2017 | N.P | X.X |
| A1 | | ECR-17-013979 | 25OCT2017 | B.P | C.W |



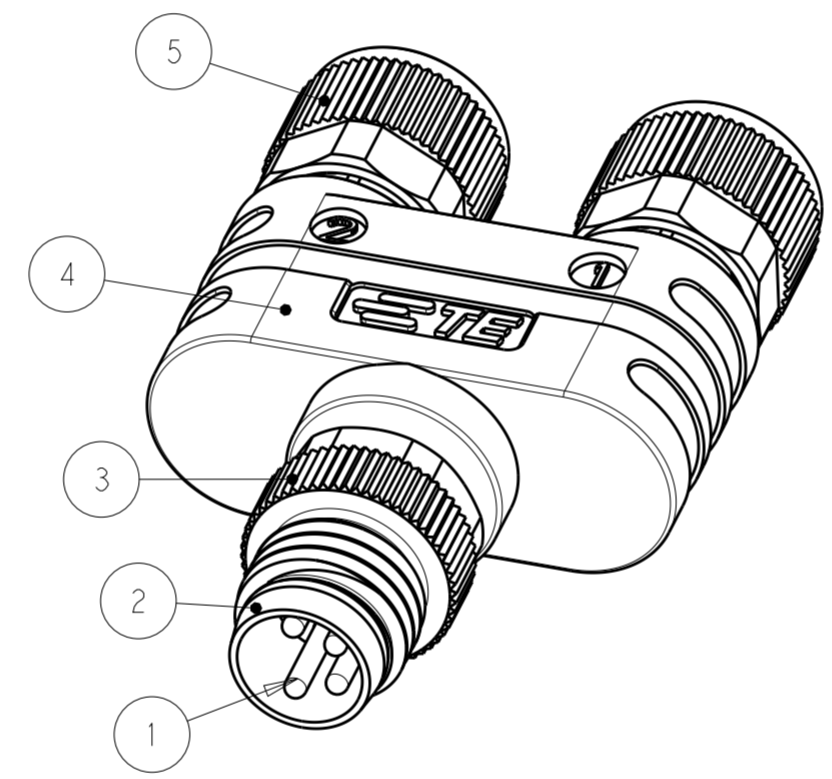
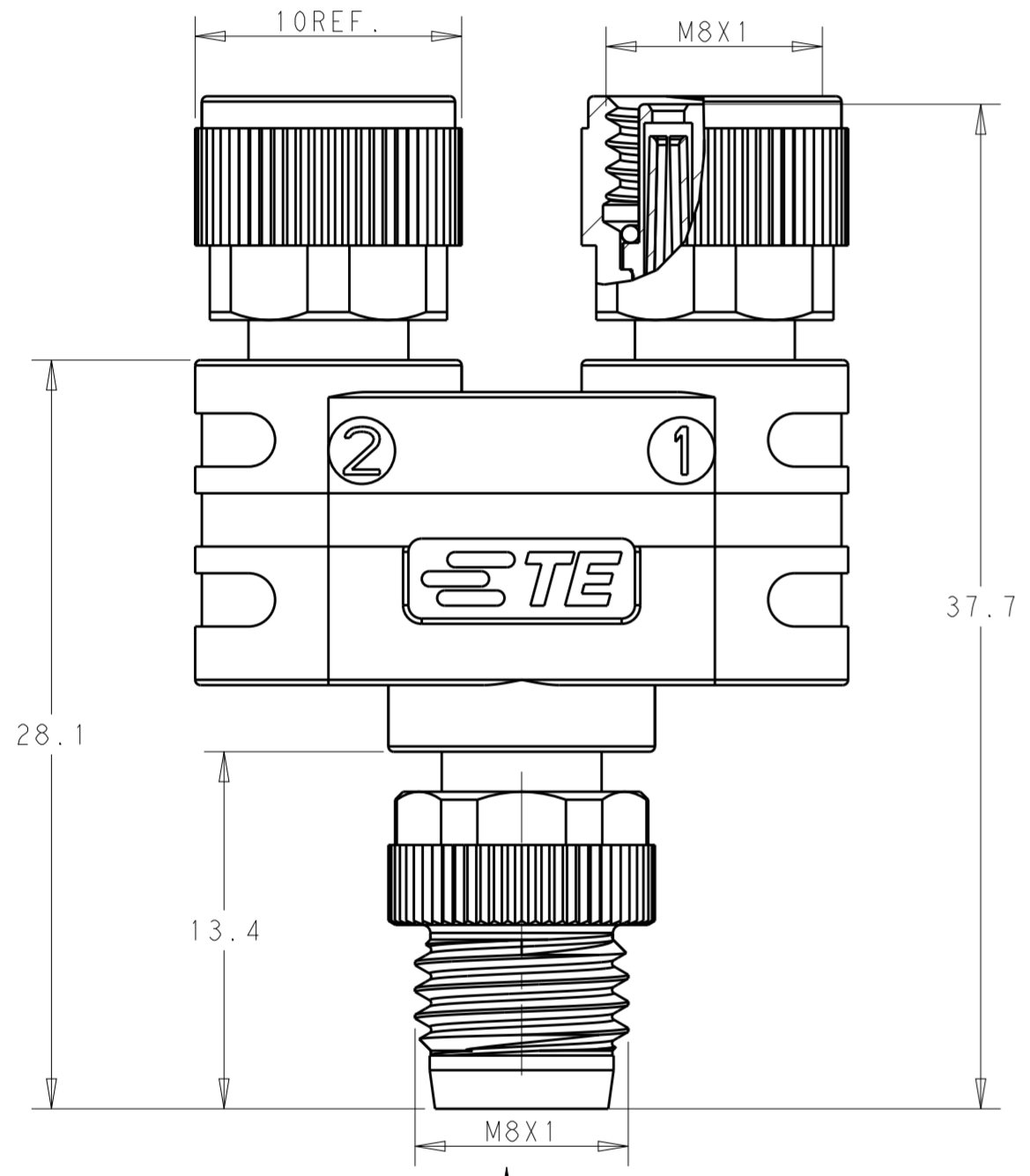
M8 Y1 CONNECTOR



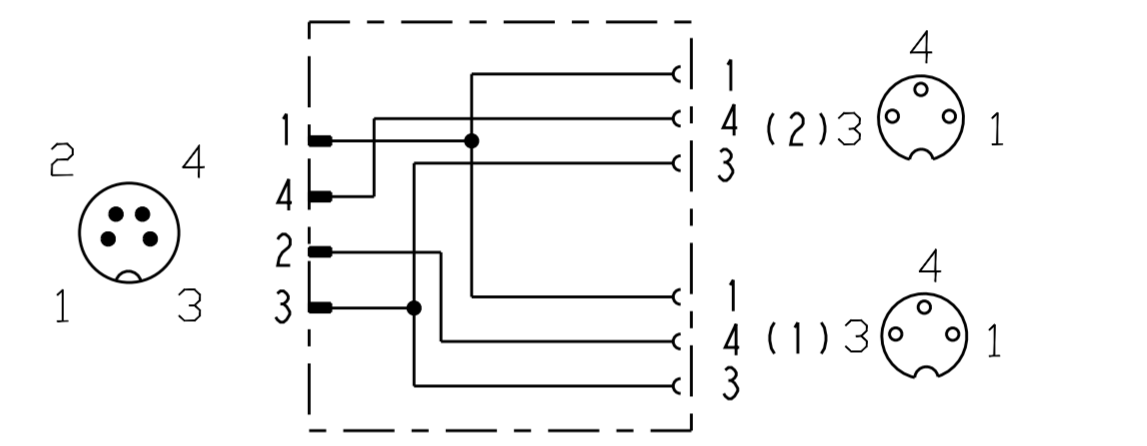
M8, Male, 3-pole

M8, Female, 3-pole

Y1 WIRING DIAGRAM



M8 Y2 CONNECTOR



M8, Male, 4-pole

M8, Female, 3-pole

Y2 WIRING DIAGRAM

TABLE 1

| TECHNICAL DATA | T4081112003-000 | T4081122004-000 |
|-----------------------|-----------------|-----------------|
| RATED VOLTAGE | 60V | 30V |
| RETAED CURRENT | 3A | |
| POLLETION DEGREE | 3 | |
| DEGREE OF PROTECTION | IP67 | |
| OPERATION TEMPERATURE | -25°C-85°C | |

NOTES:

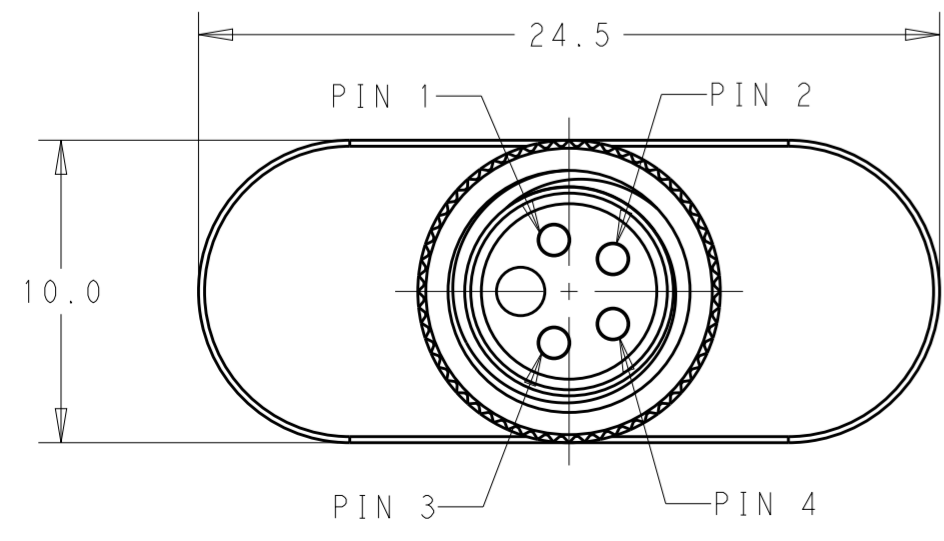
1. TECHNICAL DATA: SEE TABLE 1;
2. PRODUCT WIRING REFER TO Y1&Y2 DIAGRAM;
3. ALL PRODUCTS MUST COMPLIANCE WITH ROHS & REACH.

备注:

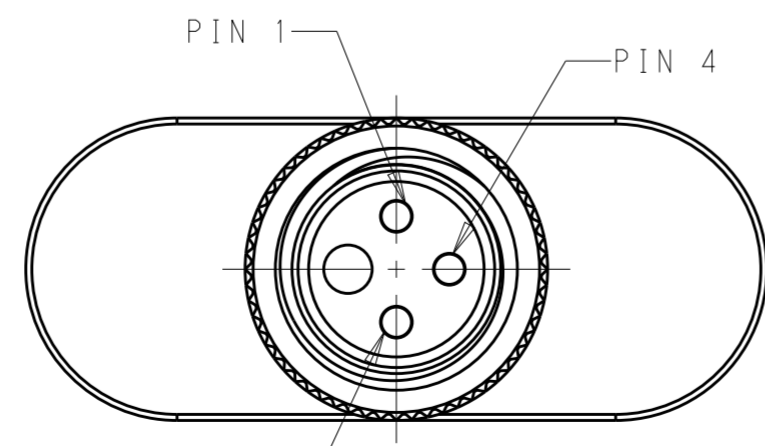
1. 技术参数见表1;
2. 接线参考Y1与Y2接线图;
3. 产品需要符合ROHS与REACH

| MATERIAL | COMPONENTS | ITEM |
|--------------|------------|------|
| RUBBER | O-RING | 6 |
| COPPER ALLOY | NUT | 5 |
| TPU | OVERMOULD | 4 |
| COPPER ALLOY | NUT | 3 |
| PA | HOUSING | 2 |
| COPPER ALLOY | CONTACT | 1 |

| DESCRIPTION | TYPE | PART NUMBER |
|----------------------|------|-----------------|
| M8 Y2型4针转接头(中心距14.5) | Y2 | T4081122004-000 |
| M8 Y1型3针转接头(中心距14.5) | Y1 | T4081112003-000 |



VIEW A
4POS. Y2



VIEW A
3POS. Y1

| | | | | |
|--|--|--------------------------|----------------------------|--|
| THIS DRAWING IS A CONTROLLED DOCUMENT. | | DWN Nick Pan 17FEB2017 | STE TE Connectivity | |
| DIMENSIONS: mm | | CHK Chirs Wang 17FEB2017 | | |
| TOLERANCES UNLESS OTHERWISE SPECIFIED: | | APVD Xiang Xu 17FEB2017 | NAME M8 Y DISTRIBUTOR | |
| 0 PLC ± | | PRODUCT SPEC 108-116140 | SIZE A2 | |
| 1 PLC ±0.25 | | APPLICATION SPEC | CAGE CODE | |
| 2 PLC ±0.15 | | WEIGHT | DRAWING NO. T40811X200X000 | |
| 3 PLC ± | | RESTRICTED TO | SCALE 3:1 | |
| 4 PLC ± | | REVISION | SHEET 1 OF 1 | |
| ANGLES ± | | CUSTOMER DRAWING | REV A1 | |
| FINISH | | | | |
| MATERIAL TBD | | | | |
| finish_spec_2 | | | | |