



Chipsmall Limited consists of a professional team with an average of over 10 year of expertise in the distribution of electronic components. Based in Hongkong, we have already established firm and mutual-benefit business relationships with customers from,Europe,America and south Asia,supplying obsolete and hard-to-find components to meet their specific needs.

With the principle of “Quality Parts,Customers Priority,Honest Operation,and Considerate Service”,our business mainly focus on the distribution of electronic components. Line cards we deal with include Microchip,ALPS,ROHM,Xilinx,Pulse,ON,Everlight and Freescale. Main products comprise IC,Modules,Potentiometer,IC Socket,Relay,Connector.Our parts cover such applications as commercial,industrial, and automotives areas.

We are looking forward to setting up business relationship with you and hope to provide you with the best service and solution. Let us make a better world for our industry!



## Contact us

Tel: +86-755-8981 8866 Fax: +86-755-8427 6832

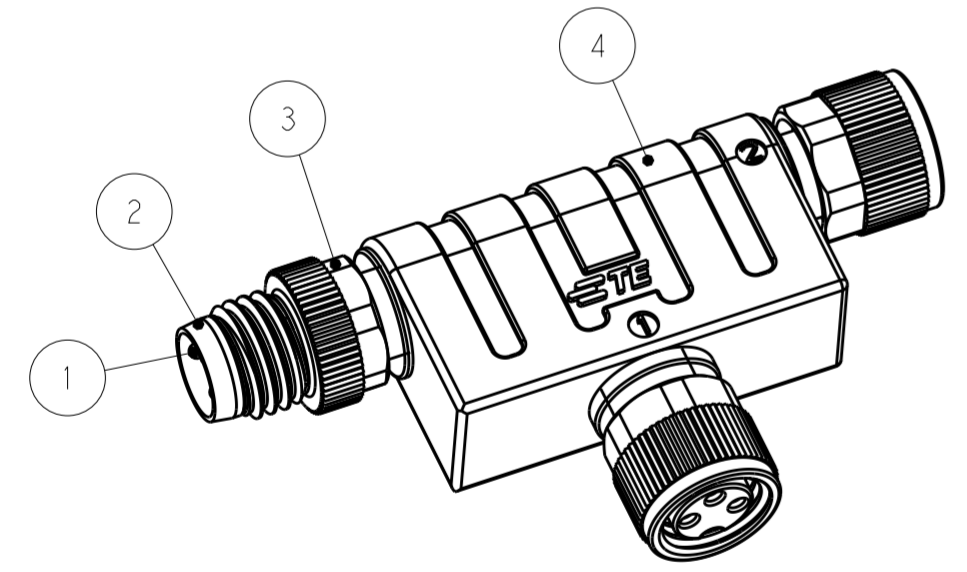
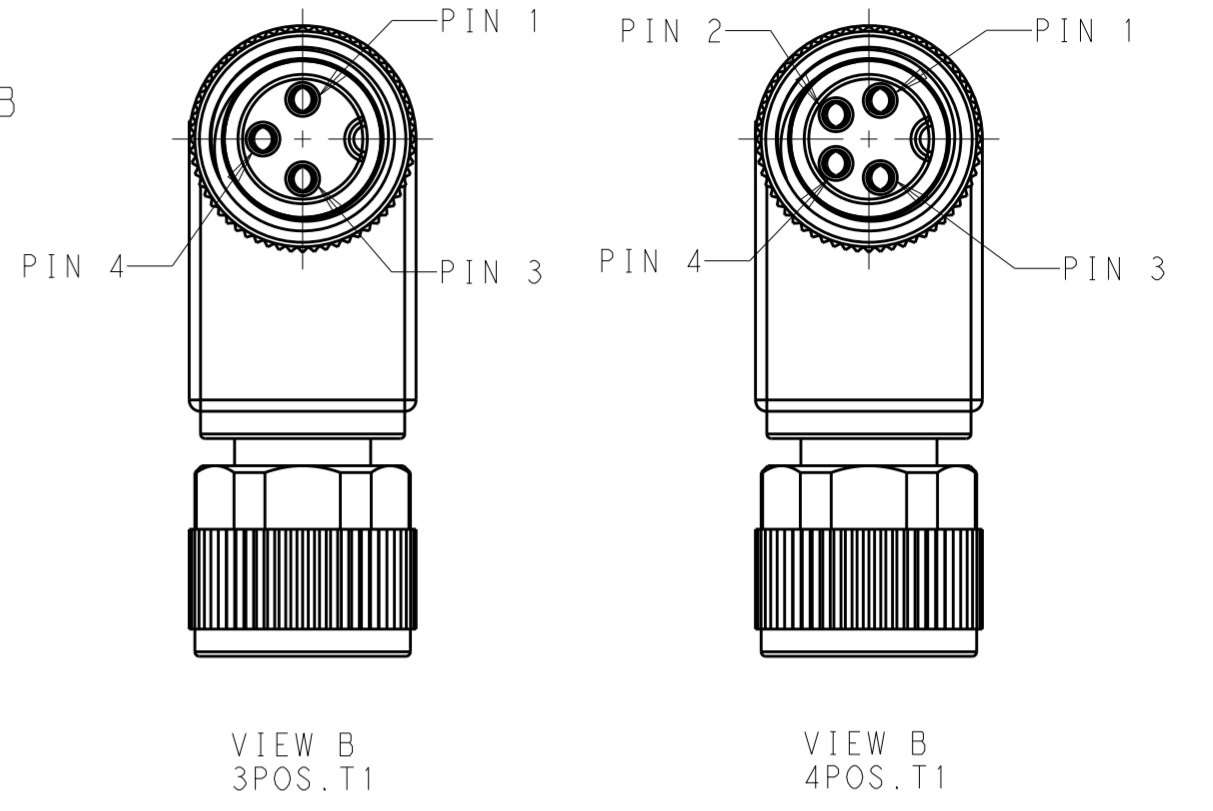
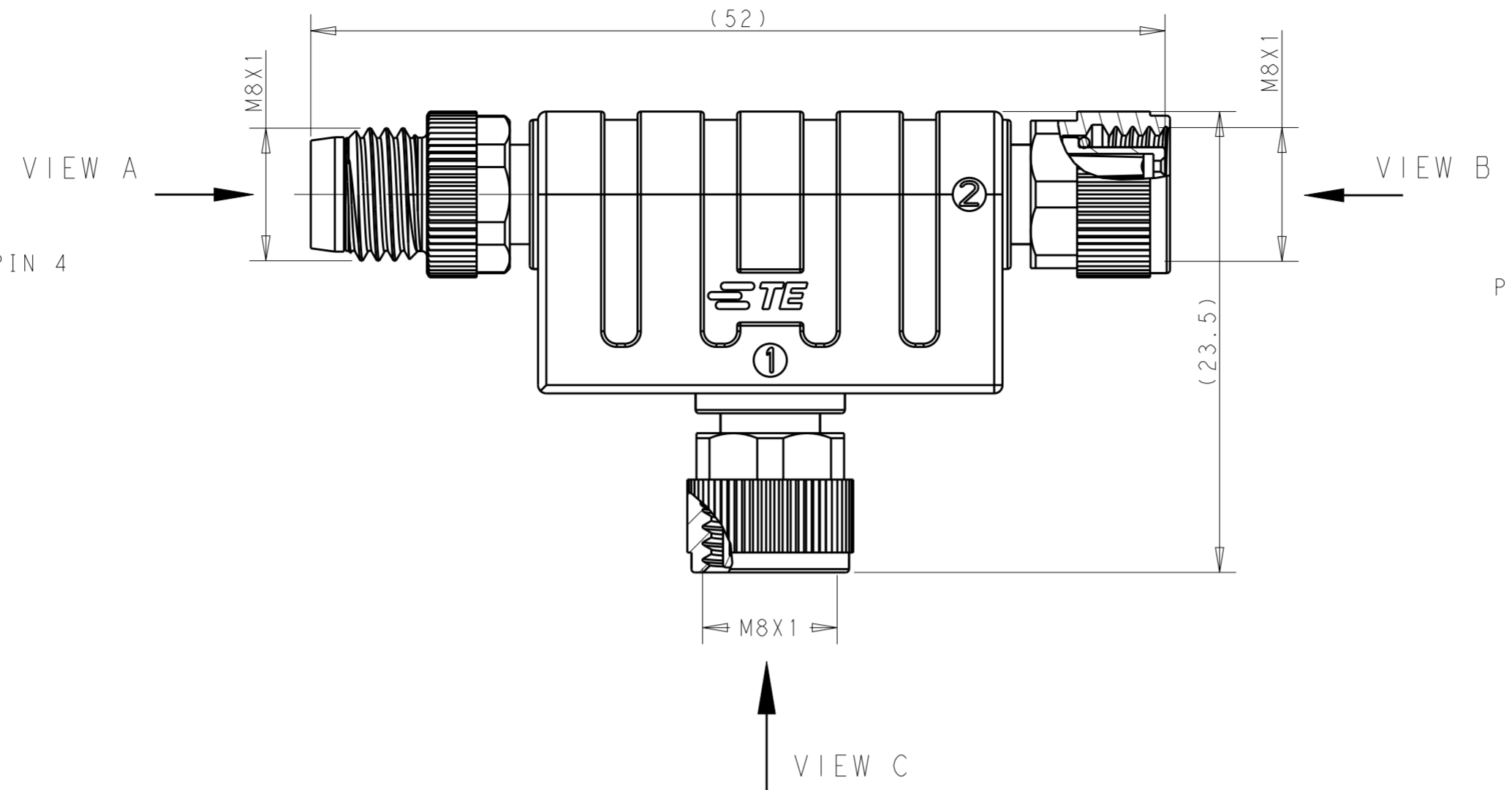
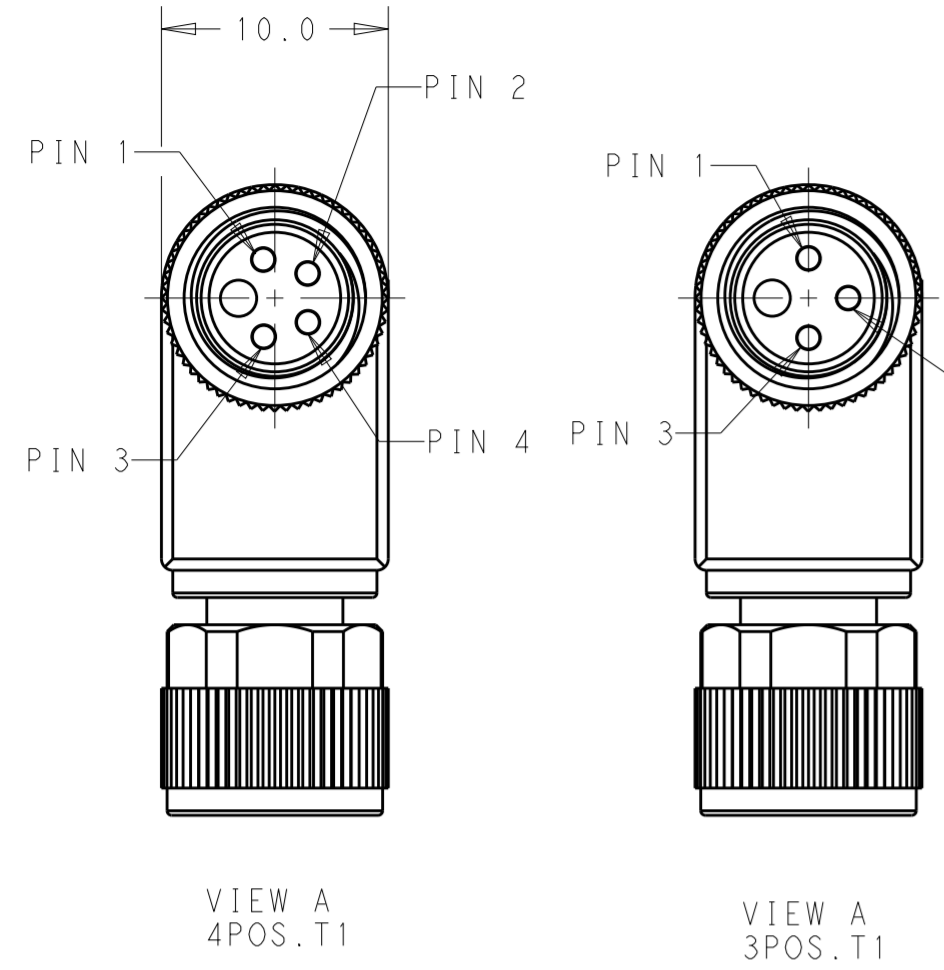
Email & Skype: info@chipsmall.com Web: www.chipsmall.com

Address: A1208, Overseas Decoration Building, #122 Zhenhua RD., Futian, Shenzhen, China

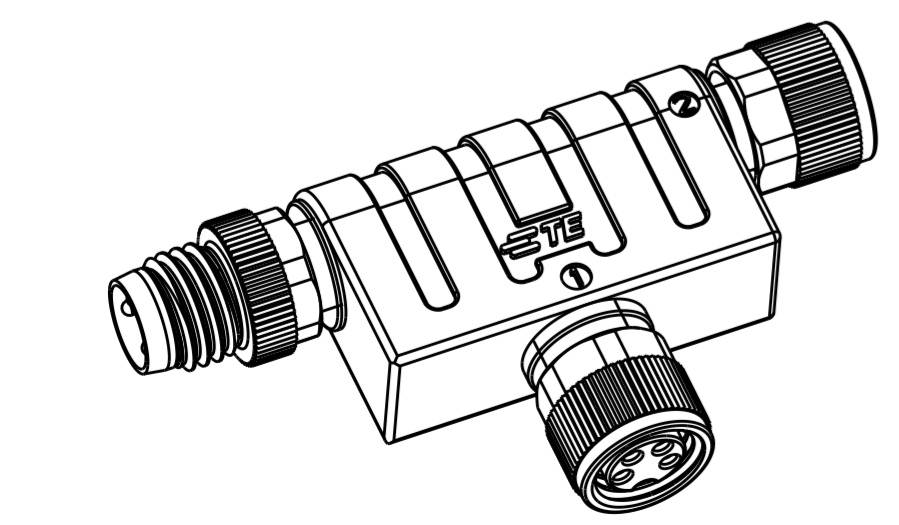
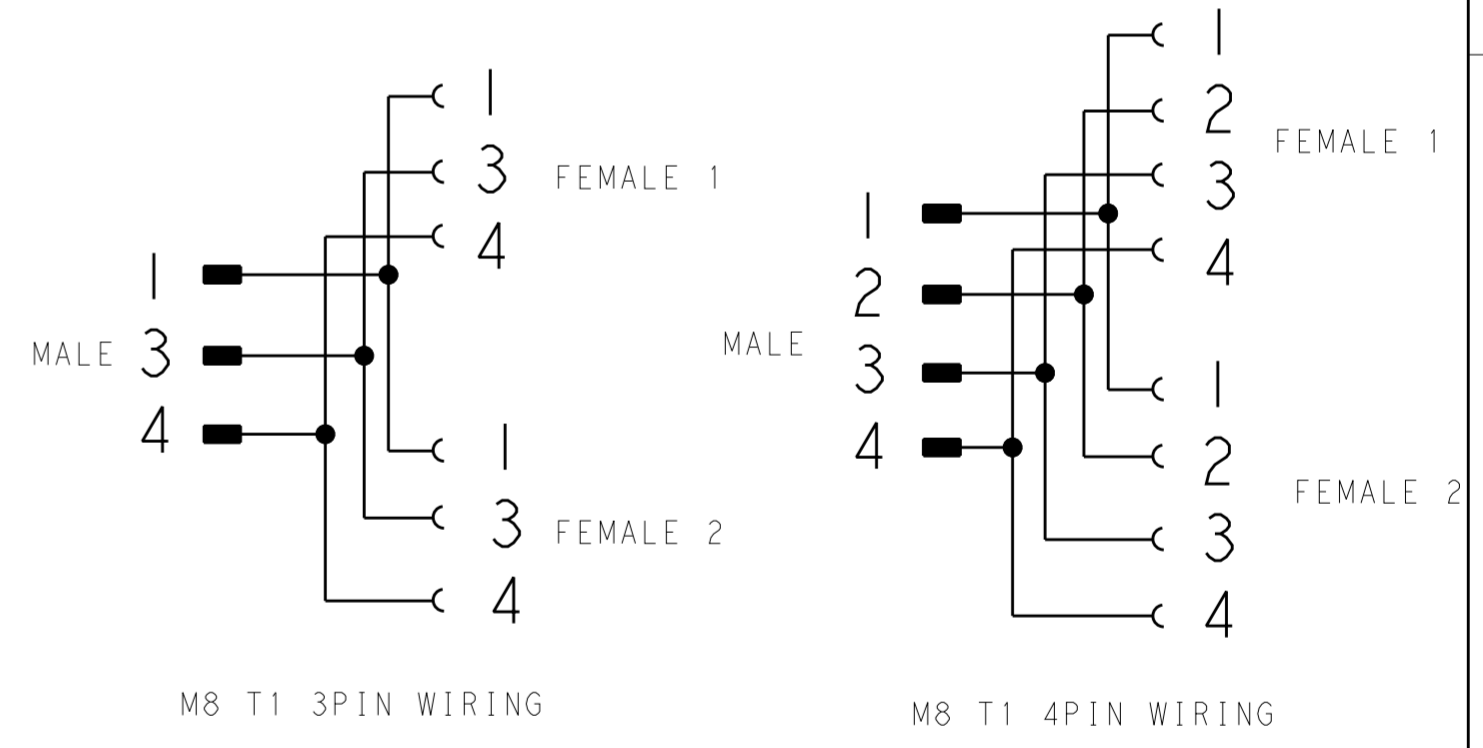
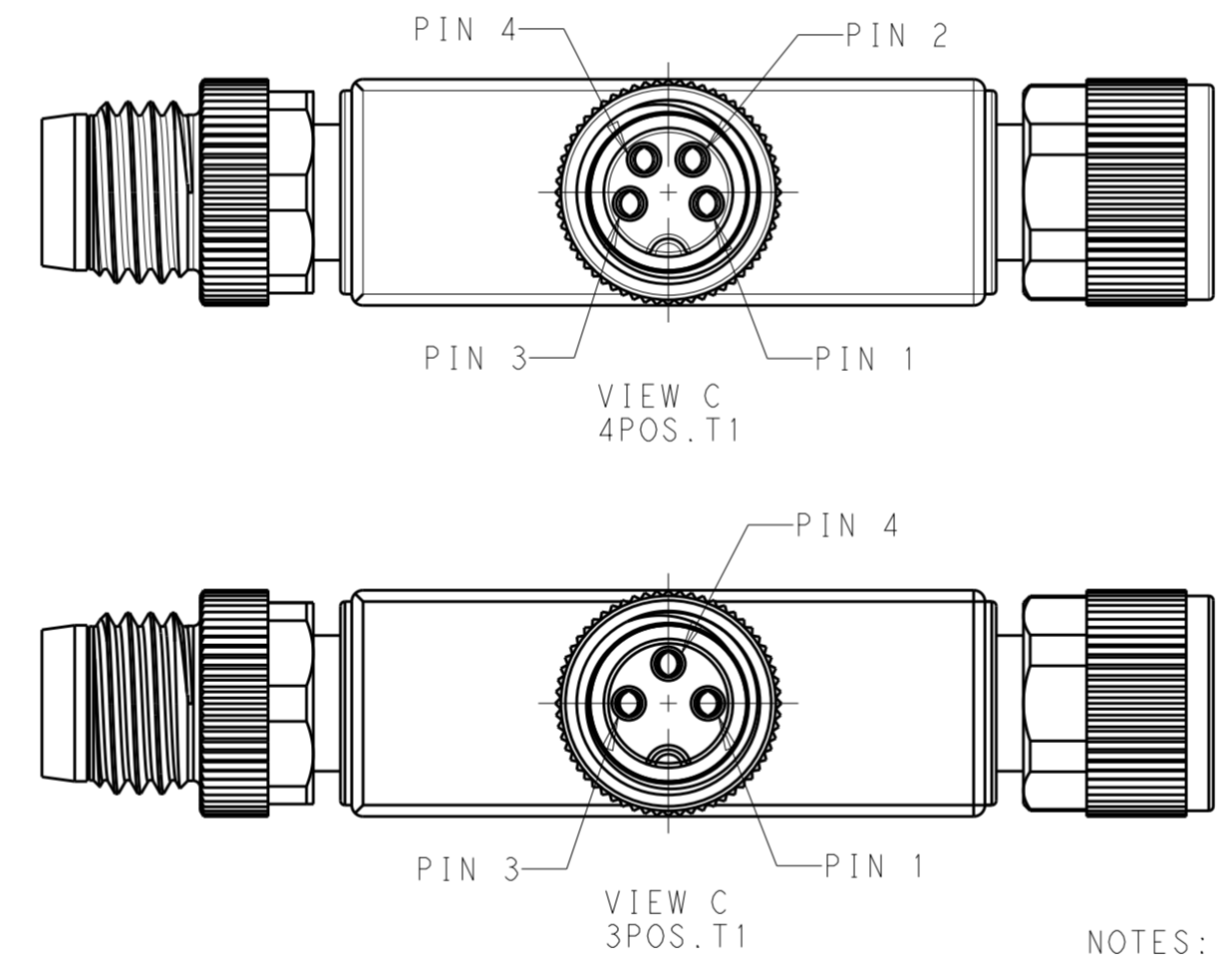


THIS DRAWING IS UNPUBLISHED. RELEASED FOR PUBLICATION 20  
 © COPYRIGHT 20 BY - ALL RIGHTS RESERVED.

REVISIONS					
P	LTR	DESCRIPTION	DATE	DWN	APVD
A		INITIAL RELEASE	02MAR2017	N.P	X.X
A1		ECR-17-013979	25OCT2017	BP	CW



M8 T1 3POS. CONNECTOR



M8 T1 4POS. CONNECTOR

NOTES:

1. TECHNICAL DATA: SEE TABLE 1
  2. CONNECTION REFER TO CIRCUIT DIAGRAM;
  3. RECOMMENDED TORQUE 0.4NM.
- 备注:
1. 技术参数见表1;
  2. 产品连接参考电路图;
  3. 推荐扭矩0.4NM.

ITEM	DESCRIPTION	REMARK
4	OVER-MOLDING	POLYURETHANE
3	NUT	COPPER ALLOY
2	HOUSING	PA66
1	CONTACT	COPPER ALLOY

REMARK	DESCRIPTION	PART NUMBER
M8 T1型4针转接头	4POS.DISTRIBUTOR	T4082102004-000
M8 T1型3针转接头	3POS.DISTRIBUTOR	T4082102003-000

TABLE 1

TECHNICAL DATA	T4082102003-000	T4082102004-000
RATED VOLTAGE	60V	30V
RATED CURRENT		3A
POLLUTION DEGREE		3
MATERIAL CROUP		II
OPERATION TEMPERATURE	-25°C~85°C	

THIS DRAWING IS A CONTROLLED DOCUMENT.		DWN Nick Pan 15FEB2017	TE Connectivity	
DIMENSIONS: mm		CHK Chris Wang 15FEB2017		
TOLERANCES UNLESS OTHERWISE SPECIFIED:		APVD Xiang Xu 15FEB2017		
0 PLC ± 1 PLC ±0.25 2 PLC ±0.15 3 PLC ± 4 PLC ± ANGLES ± FINISH -		NAME M8 T DISTRIBUTOR		
MATERIAL TBD	material_2	finish_spec_2	PRODUCT SPEC -	SIZE A2
CUSTOMER DRAWING		SCALE 2:1	APPLICATION SPEC -	CAGE CODE -
		WEIGHT -	REMARK -	DRAWING NO. T408210200X000
				RESTRICTED TO -
				SHEET 1 OF 1
				REV A1