



Chipsmall Limited consists of a professional team with an average of over 10 year of expertise in the distribution of electronic components. Based in Hongkong, we have already established firm and mutual-benefit business relationships with customers from,Europe,America and south Asia,supplying obsolete and hard-to-find components to meet their specific needs.

With the principle of “Quality Parts,Customers Priority,Honest Operation,and Considerate Service”,our business mainly focus on the distribution of electronic components. Line cards we deal with include Microchip,ALPS,ROHM,Xilinx,Pulse,ON,Everlight and Freescale. Main products comprise IC,Modules,Potentiometer,IC Socket,Relay,Connector.Our parts cover such applications as commercial,industrial, and automotives areas.

We are looking forward to setting up business relationship with you and hope to provide you with the best service and solution. Let us make a better world for our industry!



Contact us

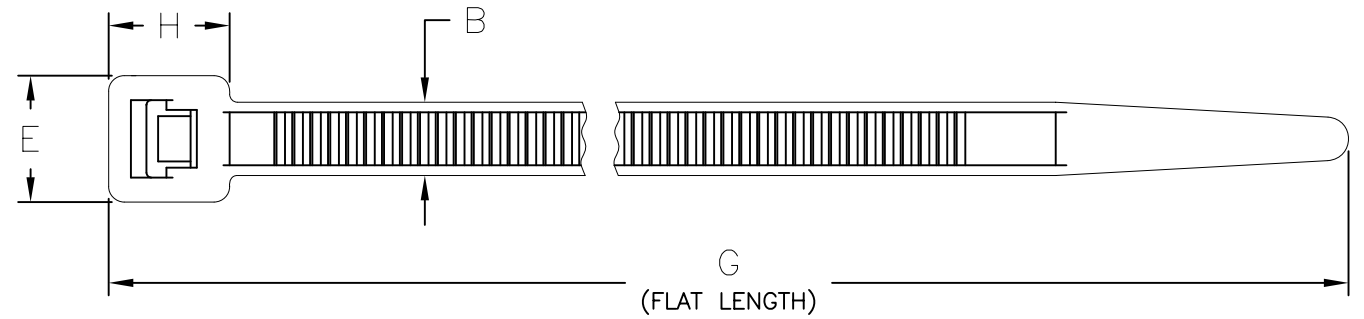
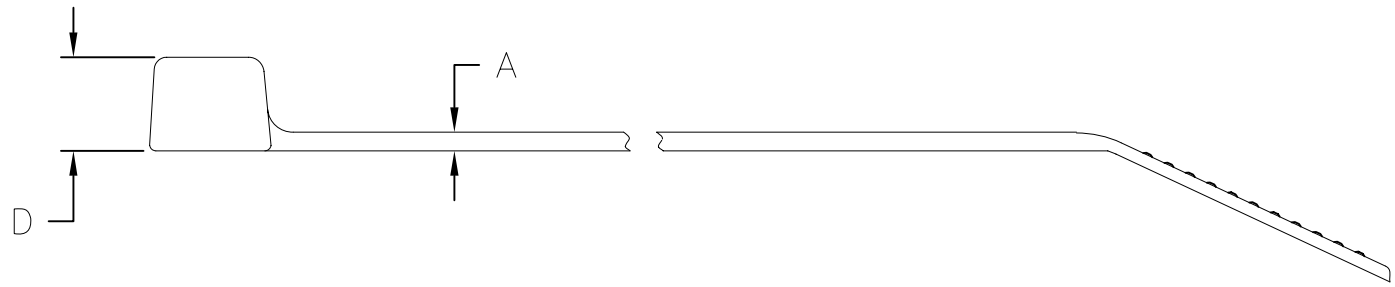
Tel: +86-755-8981 8866 Fax: +86-755-8427 6832

Email & Skype: info@chipsmall.com Web: www.chipsmall.com

Address: A1208, Overseas Decoration Building, #122 Zhenhua RD., Futian, Shenzhen, China



Revision level		Revision Record	Changed	Date	Approved	Date
part	drawing					
-	02					



PRODUCT CODE DESCRIPTION

T40R_HS
 COLOR
 (CONSULT FACTORY FOR AVAILABLE COLORS)

Aerospace Spec Tie SAE AS33671	Product Code	Cable Range (mm)	Material	A	B	D	E	G	H	Min Loop Tensile Strength (newtons)
no	T40R_	1.5 to 55	PA66	1.15 ±0.2	4.0 ±0.2	5.0 ±0.3	7.0 ±0.5	212.0 ±5.0	7.0 ±0.5	180
no	T40R_HS		PA66HS							

SEE CHART

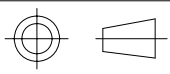
Material

Dimension tolerances unless otherwise specified
 .XXXX =
 .XXX =
 .XX =
 .X = NOTED
 < =

Dimension Units mm

PERFORMANCE SPECIFICATION

ACAD 2004



Drawn A. MATTEK 8/14/00
 Approved

Scale 2:1
 Computer File Number CT\CST\2040003_02

ALL PROPRIETARY RIGHTS IN THE SUBJECT MATTER SHOWN ON THIS DRAWING ARE EXCLUSIVE PROPERTY OF HELLERMANN TYTON

HellermannTyton
 7930 N. Faulkner Rd.
 Milwaukee, WI 53224
 Ph: (414) 355-1130
 Fx: (414) 362-8338

Title
**T40R
 STANDARD CABLE TIE**

Drawing-No
CT2040003CST

Format
 AH
 Sheet 1 of 1