



Chipsmall Limited consists of a professional team with an average of over 10 year of expertise in the distribution of electronic components. Based in Hongkong, we have already established firm and mutual-benefit business relationships with customers from,Europe,America and south Asia,supplying obsolete and hard-to-find components to meet their specific needs.

With the principle of “Quality Parts,Customers Priority,Honest Operation,and Considerate Service”,our business mainly focus on the distribution of electronic components. Line cards we deal with include Microchip,ALPS,ROHM,Xilinx,Pulse,ON,Everlight and Freescale. Main products comprise IC,Modules,Potentiometer,IC Socket,Relay,Connector.Our parts cover such applications as commercial,industrial, and automotives areas.

We are looking forward to setting up business relationship with you and hope to provide you with the best service and solution. Let us make a better world for our industry!



## Contact us

Tel: +86-755-8981 8866 Fax: +86-755-8427 6832

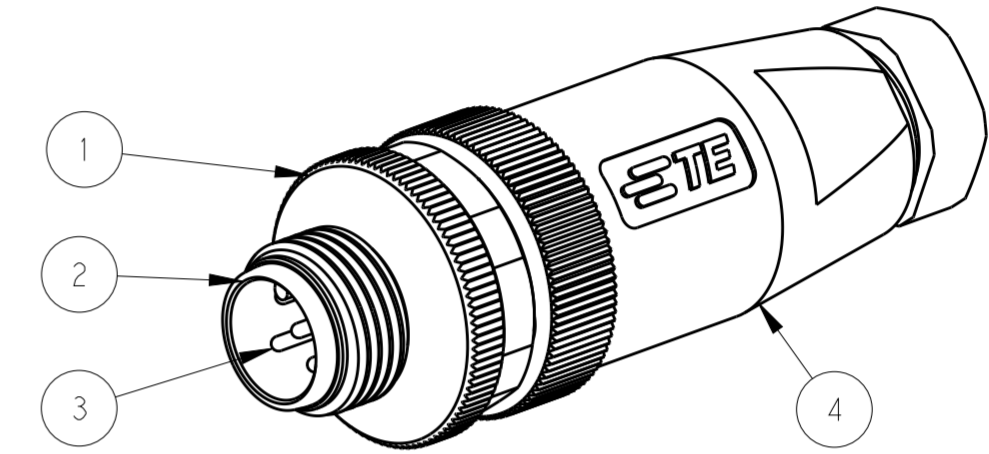
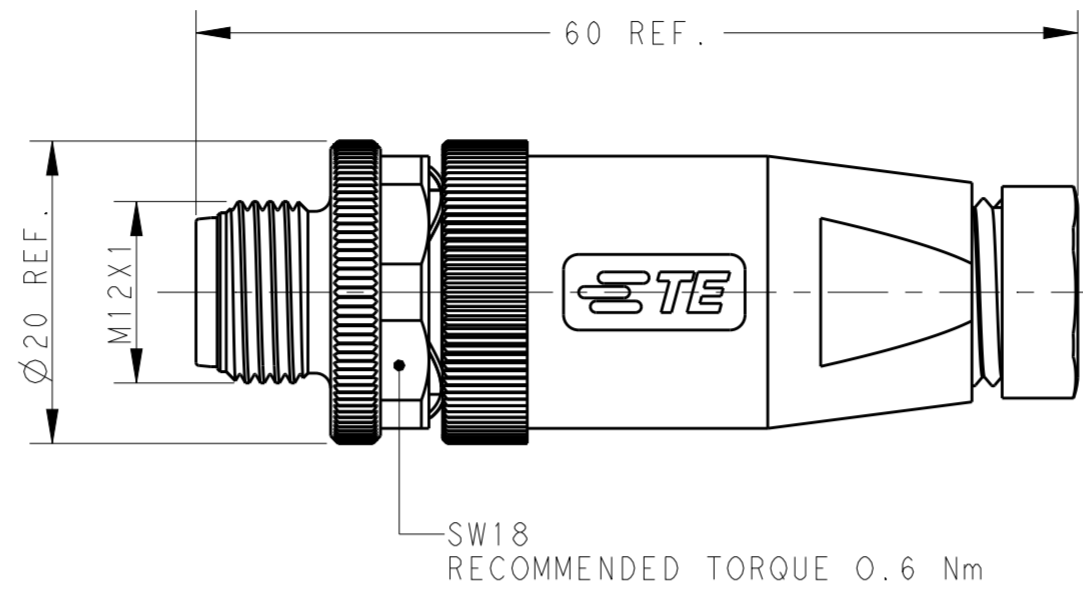
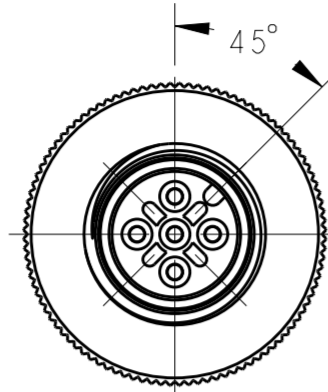
Email & Skype: info@chipsmall.com Web: www.chipsmall.com

Address: A1208, Overseas Decoration Building, #122 Zhenhua RD., Futian, Shenzhen, China



THIS DRAWING IS UNPUBLISHED. RELEASED FOR PUBLICATION 20  
 © COPYRIGHT 20 BY - ALL RIGHTS RESERVED.

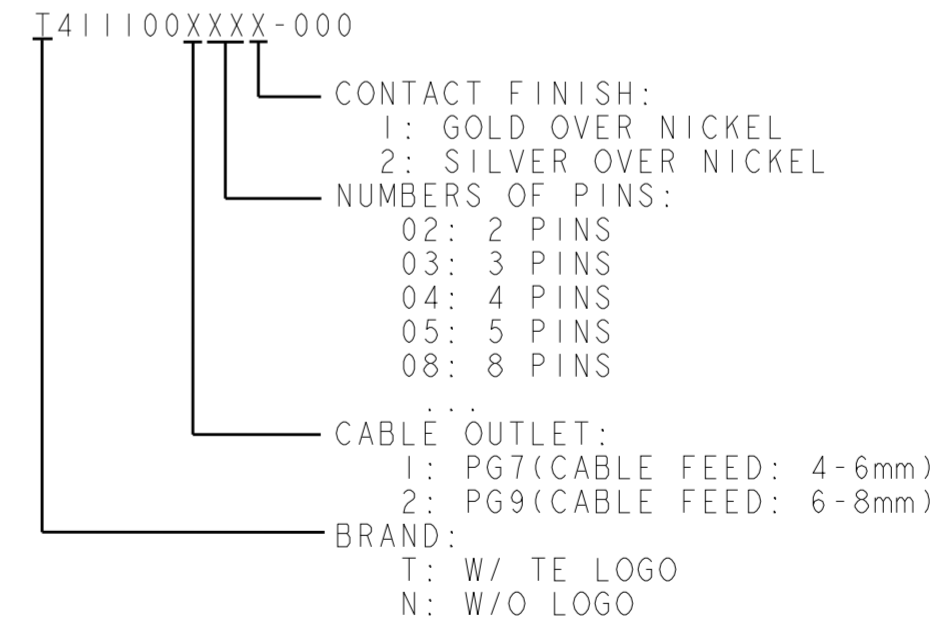
REVISIONS				
P	LTR	DESCRIPTION	DATE	APVD
A		INITIAL RELEASE	29DEC2015	NP XX
A1		ECR-15-012625	29DEC2015	NP XX
A2		ECR-15-018715 ADD 114 SEPC.	01JAN2016	NP XX



TECHNICAL DATA	T411100X02X-000	T411100X03X-000	T411100X04X-000	T411100X05X-000	T411100X08X-000
RATED VOLTAGE	250V	250V	250V	60V	30V
RATED CURRENT	4A	4A	4A	4A	2A
POLLUTION DEGREE	3	3	3	3	3
OVERVOLTAGE CATEGORY	II	II	II	II	II
MATERIAL GROUP	II	II	II	II	II
CONTACT RESISTANCE	≤8mΩ	≤8mΩ	≤8mΩ	≤8mΩ	≤8mΩ
INSULATION RESISTANCE	>100MΩ	>100MΩ	>100MΩ	>100MΩ	>100MΩ
DEGREE OF PROTECTION	IP67	IP67	IP67	IP67	IP67
OPERATION TEMPERATURE	-40~85°C	-40~85°C	-40~85°C	-40~85°C	-40~85°C

NOTE:

- MATERIAL:  
 ITEM NO.1: NUT -BRASS  
 ITEM NO.2: HOUSING -PA  
 ITEM NO.3: CONTACT -BRASS  
 ITEM NO.4: HOUSING BODY: -PBT+GF
- CONTACT FINISH:  
 GOLD OVER NICKEL OR SILVER OVER NICKEL
- CABLE WIRES:  
 18AWG/0.75mm<sup>2</sup> Max. FOR 2-5 PINS  
 20AWG/0.50mm<sup>2</sup> Max. FOR 8 PINS
- ALLDIMENSIONS ARE FOR NOMINAL REFERENCE ONLY UNLESS OTHERWISE STATED
- PACKAGEING: IPIECE IN A BAG
- PN INFORMATION



PIN ARRANGEMENT A-CODE

T411100X02X-000	T411100X03X-000	T411100X04X-000

T4111002081-000	RPC-M12A-MS-8CON-PG9-MU
T4111002082-000	RPC-M12A-MS-8CON-PG9-M
T4111001081-000	RPC-M12A-MS-8CON-PG7-MU
T4111001082-000	RPC-M12A-MS-8CON-PG7-M
T4111002051-000	RPC-M12A-MS-5CON-PG9-MU
T4111001051-000	RPC-M12A-MS-5CON-PG7-MU
T4111002052-000	RPC-M12A-MS-5CON-PG9-M
T4111001052-000	RPC-M12A-MS-5CON-PG7-M
T4111002041-000	RPC-M12A-MS-4CON-PG9-MU
T4111001041-000	RPC-M12A-MS-4CON-PG7-MU
T4111002042-000	RPC-M12A-MS-4CON-PG9-M
T4111001042-000	RPC-M12A-MS-4CON-PG7-M
T4111002031-000	RPC-M12A-MS-3CON-PG9-MU
T4111001031-000	RPC-M12A-MS-3CON-PG7-MU
T4111002032-000	RPC-M12A-MS-3CON-PG9-M
T4111001032-000	RPC-M12A-MS-3CON-PG7-M
T4111002021-000	RPC-M12A-MS-2CON-PG9-MU
T4111001021-000	RPC-M12A-MS-2CON-PG7-MU
T4111002022-000	RPC-M12A-MS-2CON-PG9-M
T4111001022-000	RPC-M12A-MS-2CON-PG7-M
TE PN	TYPE

THIS DRAWING IS A CONTROLLED DOCUMENT.		DWN HAO WANG 08OCT2015	TE Connectivity	
		CHK KOBBY ZHAO 08OCT2015		
		APVD XIANG XU 08OCT2015	NAME M12 MALE, A CODE, STRAIGHT UNSHIELDED CONNECTOR SCREW TERMINAL	
DIMENSIONS: mm		TOLERANCES UNLESS OTHERWISE SPECIFIED:	PRODUCT SPEC 108-106140	
0 PLC ±0.2		1 PLC ±0.2	APPLICATION SPEC 114-137144	
2 PLC ±0.2		3 PLC ±	WEIGHT -	
3 PLC ±		4 PLC ±	SIZE A2	
MATERIAL -		FINISH -	CAGE CODE -	
			DRAWING NO. C-T411100XXXX000	
			RESTRICTED TO -	
			SCALE 2:1 SHEET 1 OF 1 REV A2	