



Chipsmall Limited consists of a professional team with an average of over 10 year of expertise in the distribution of electronic components. Based in Hongkong, we have already established firm and mutual-benefit business relationships with customers from,Europe,America and south Asia,supplying obsolete and hard-to-find components to meet their specific needs.

With the principle of “Quality Parts,Customers Priority,Honest Operation,and Considerate Service”,our business mainly focus on the distribution of electronic components. Line cards we deal with include Microchip,ALPS,ROHM,Xilinx,Pulse,ON,Everlight and Freescale. Main products comprise IC,Modules,Potentiometer,IC Socket,Relay,Connector.Our parts cover such applications as commercial,industrial, and automotives areas.

We are looking forward to setting up business relationship with you and hope to provide you with the best service and solution. Let us make a better world for our industry!



## Contact us

Tel: +86-755-8981 8866 Fax: +86-755-8427 6832

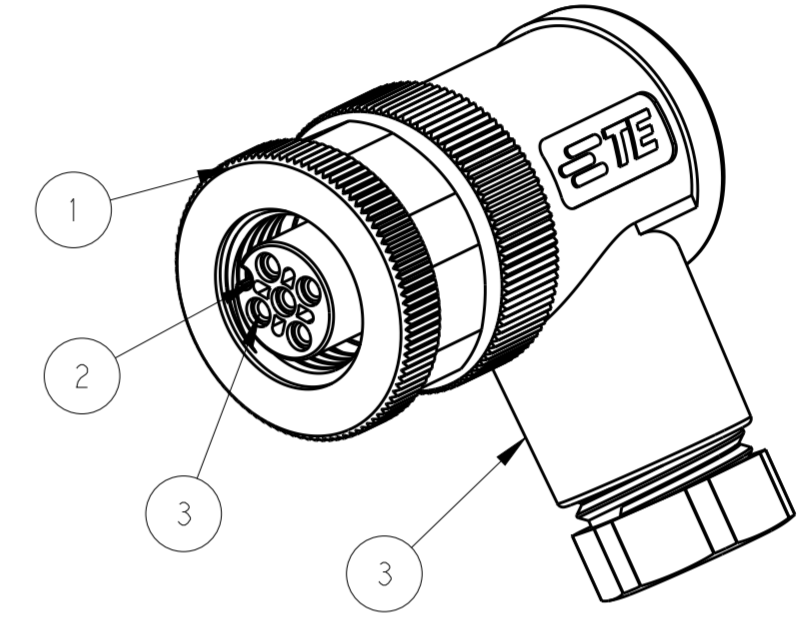
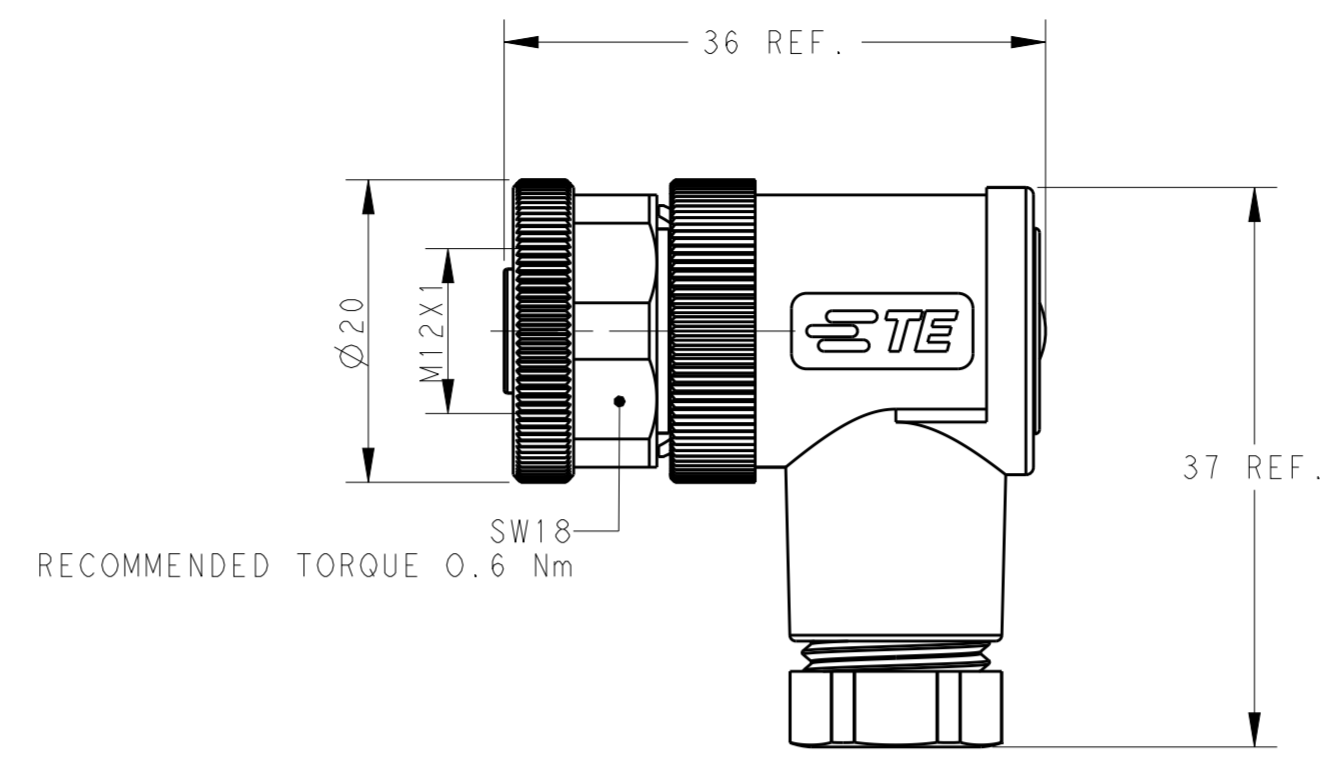
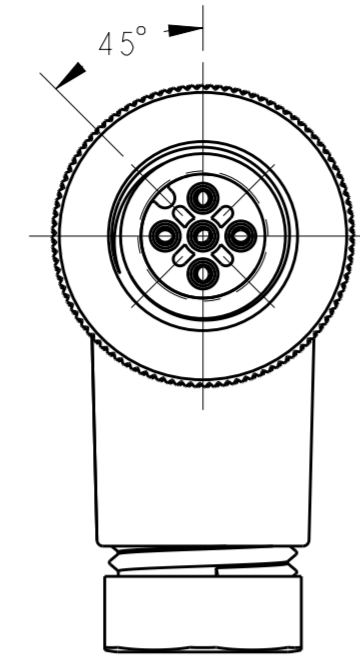
Email & Skype: info@chipsmall.com Web: www.chipsmall.com

Address: A1208, Overseas Decoration Building, #122 Zhenhua RD., Futian, Shenzhen, China



THIS DRAWING IS UNPUBLISHED. RELEASED FOR PUBLICATION 20  
 © COPYRIGHT 20 BY - ALL RIGHTS RESERVED.

| REVISIONS |     |                             |           |       |
|-----------|-----|-----------------------------|-----------|-------|
| P         | LTR | DESCRIPTION                 | DATE      | APVD  |
| A         |     | INITIAL RELEASE             | 29JUL2015 | NP XX |
| A1        |     | ECR-15-018715 ADD 114 SPEC. | 29DEC2015 | NP XX |

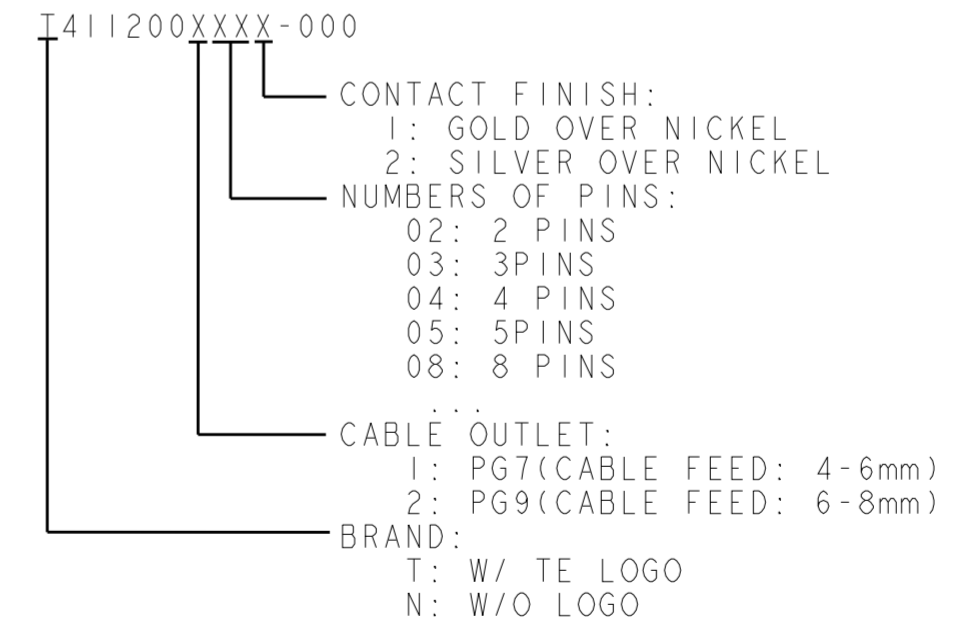


| TECHNICAL DATA        | T411200X02X-000 | T411200X03X-000 | T411200X04X-000 | T411200X05X-000 | T411200X08X-000 |
|-----------------------|-----------------|-----------------|-----------------|-----------------|-----------------|
| RATED VOLTAGE         | 250V            | 250V            | 250V            | 60V             | 30V             |
| RATED CURRENT         | 4A              | 4A              | 4A              | 4A              | 2A              |
| POLLUTION DEGREE      | 3               | 3               | 3               | 3               | 3               |
| OVERVOLTAGE CATEGORY  | II              | II              | II              | II              | II              |
| MATERIAL GROUP        | II              | II              | II              | II              | II              |
| CONTACT RESISTANCE    | ≤8mΩ            | ≤8mΩ            | ≤8mΩ            | ≤8mΩ            | ≤8mΩ            |
| INSULATION RESISTANCE | >100MΩ          | >100MΩ          | >100MΩ          | >100MΩ          | >100MΩ          |
| DEGREE OF PROTECTION  | IP67            | IP67            | IP67            | IP67            | IP67            |
| OPERATION TEMPERATURE | -40~85°C        | -40~85°C        | -40~85°C        | -40~85°C        | -40~85°C        |

- NOTE:
- MATERIAL:
    - ITEM NO.1: NUT -BRASS
    - ITEM NO.2: HOUSING -PA
    - ITEM NO.3: CONTACT -BRONZE
    - ITEM NO.4: HOUSING BODY: -PBT+GF
  - CONTACT FINISH:
    - GOLD OVER NICKEL OR SILVER OVER NICKEL
  - CABLE WIRES:
    - 18AWG/0.75mm<sup>2</sup> Max. FOR 2-5 PINS
    - 20AWG/0.50mm<sup>2</sup> Max. FOR 8 PINS
  - ALL DIMENSIONS ARE FOR NOMINAL REFERENCE ONLY UNLESS OTHERWISE STATED
  - PACKAGEING: 1PIECE IN A BAG
  - PN INFORMATION

| PIN ARRANGEMENT A-CODE |                 |                 |
|------------------------|-----------------|-----------------|
| T411200X02X-000        | T411200X03X-000 | T411200X04X-000 |
|                        |                 |                 |
|                        |                 |                 |

|                 |                         |
|-----------------|-------------------------|
| T4112002081-000 | RPC-M12A-FR-8CON-PG9-MU |
| T4112002081-000 | RPC-M12A-FR-8CON-PG7-MU |
| T4112002082-000 | RPC-M12A-FR-8CON-PG9-M  |
| T4112001082-000 | RPC-M12A-FR-8CON-PG7-M  |
| T4112002051-000 | RPC-M12A-FR-5CON-PG9-MU |
| T4112001051-000 | RPC-M12A-FR-5CON-PG7-MU |
| T4112002052-000 | RPC-M12A-FR-5CON-PG9-M  |
| T4112001052-000 | RPC-M12A-FR-5CON-PG7-M  |
| T4112002041-000 | RPC-M12A-FR-4CON-PG9-MU |
| T4112001041-000 | RPC-M12A-FR-4CON-PG7-MU |
| T4112002042-000 | RPC-M12A-FR-4CON-PG9-M  |
| T4112001042-000 | RPC-M12A-FR-4CON-PG7-M  |
| T4112002031-000 | RPC-M12A-FR-3CON-PG9-MU |
| T4112001031-000 | RPC-M12A-FR-3CON-PG7-MU |
| T4112002032-000 | RPC-M12A-FR-3CON-PG9-M  |
| T4112001032-000 | RPC-M12A-FR-3CON-PG7-M  |
| T4112002021-000 | RPC-M12A-FR-2CON-PG9-MU |
| T4112001021-000 | RPC-M12A-FR-2CON-PG7-MU |
| T4112002022-000 | RPC-M12A-FR-2CON-PG9-M  |
| T4112001022-000 | RPC-M12A-FR-2CON-PG7-M  |
| TE PN           | TYPE                    |



|  |  |                                |  |                |
|--|--|--------------------------------|--|----------------|
| THIS DRAWING IS A CONTROLLED DOCUMENT.   |  | DWN<br>HAO WANG<br>08JAN2015   | TE Connectivity  |                |
|  |  | CHK<br>KOBBY ZHAO<br>08JAN2015 |  |                |
| DIMENSIONS:<br>mm  |  | APVD<br>XIANG XU<br>08JAN2015  | NAME<br>M12 FEMALE, A CODE, RA<br>UNSHIELDED CONNECTOR<br>SCREW TERMINAL |                |
| TOLERANCES UNLESS OTHERWISE SPECIFIED:<br>0 PLC ±0.2<br>1 PLC ±0.2<br>2 PLC ±0.2<br>3 PLC ±<br>4 PLC ±<br>ANGLES ±<br>FINISH |  | PRODUCT SPEC<br>108-106140     | RESTRICTED TO  |                |
| MATERIAL   |  | APPLICATION SPEC<br>114-137144 | SIZE<br>A2   | CAGE CODE<br>- |
|  |  | WEIGHT<br>-                    | DRAWING NO<br>G-T411200XXXX000   | SCALE<br>2:1   |
|  |  | CUSTOMER DRAWING               | SHEET<br>1 OF 1  | REV<br>A1      |