



Chipsmall Limited consists of a professional team with an average of over 10 year of expertise in the distribution of electronic components. Based in Hongkong, we have already established firm and mutual-benefit business relationships with customers from,Europe,America and south Asia,supplying obsolete and hard-to-find components to meet their specific needs.

With the principle of “Quality Parts,Customers Priority,Honest Operation,and Considerate Service”,our business mainly focus on the distribution of electronic components. Line cards we deal with include Microchip,ALPS,ROHM,Xilinx,Pulse,ON,Everlight and Freescale. Main products comprise IC,Modules,Potentiometer,IC Socket,Relay,Connector.Our parts cover such applications as commercial,industrial, and automotives areas.

We are looking forward to setting up business relationship with you and hope to provide you with the best service and solution. Let us make a better world for our industry!



Contact us

Tel: +86-755-8981 8866 Fax: +86-755-8427 6832

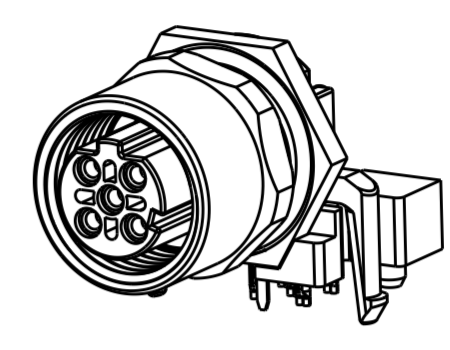
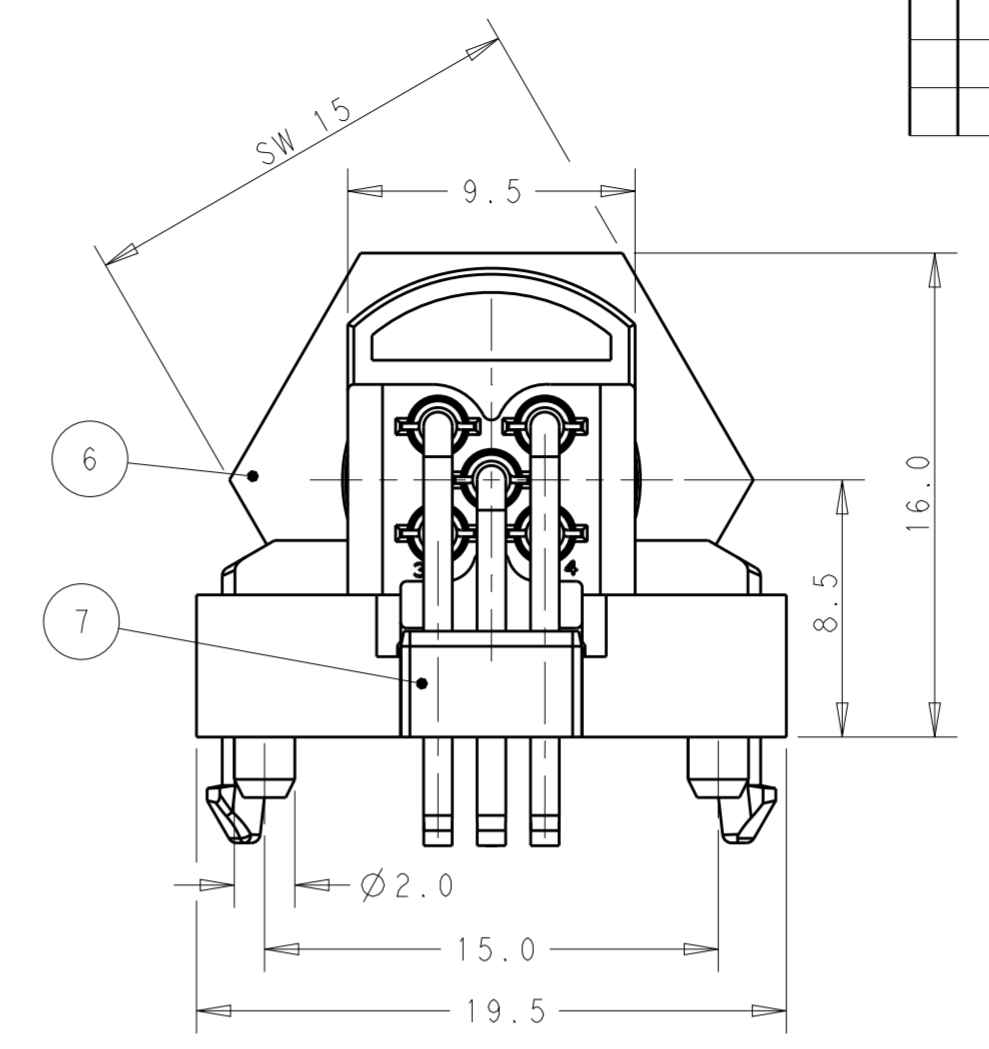
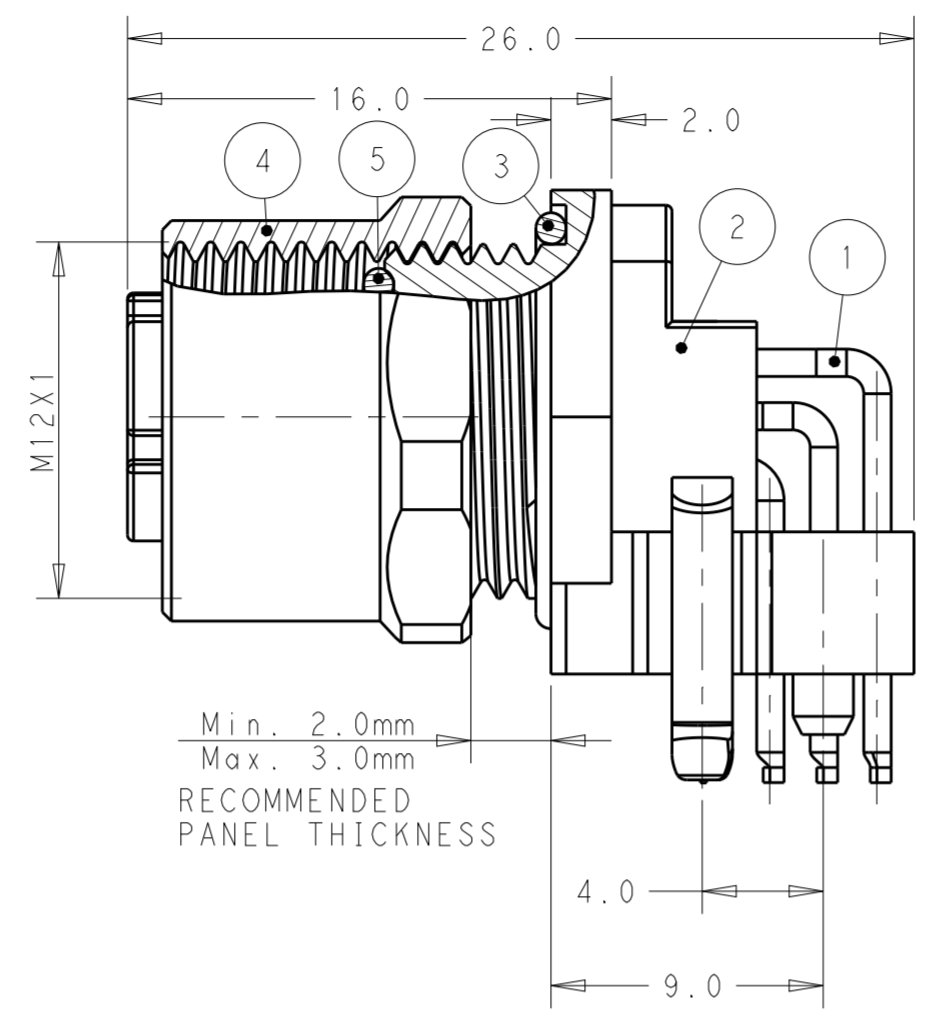
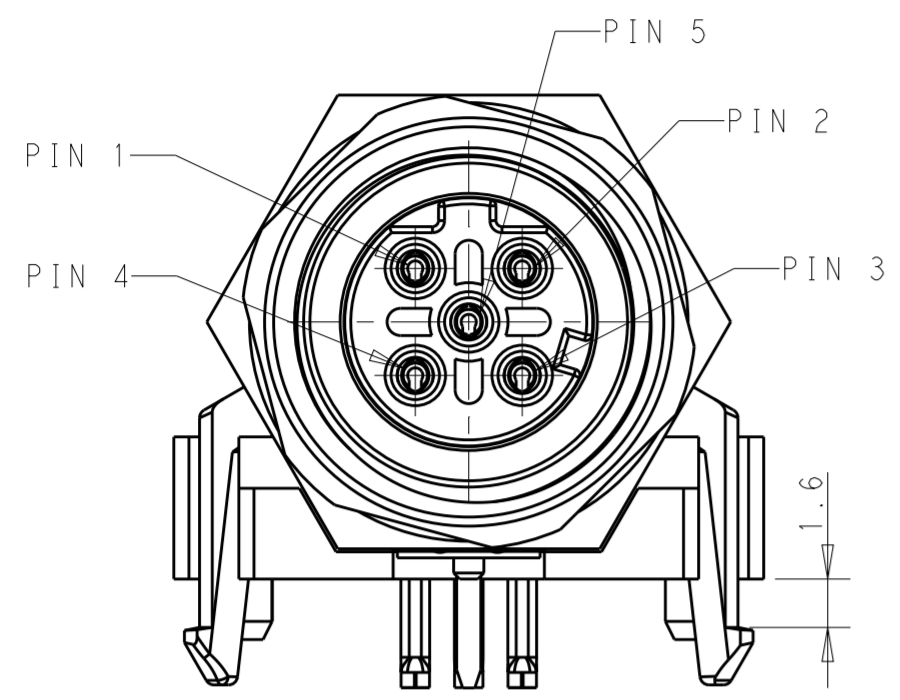
Email & Skype: info@chipsmall.com Web: www.chipsmall.com

Address: A1208, Overseas Decoration Building, #122 Zhenhua RD., Futian, Shenzhen, China



THIS DRAWING IS UNPUBLISHED. RELEASED FOR PUBLICATION 20
 © COPYRIGHT 20 BY - ALL RIGHTS RESERVED.

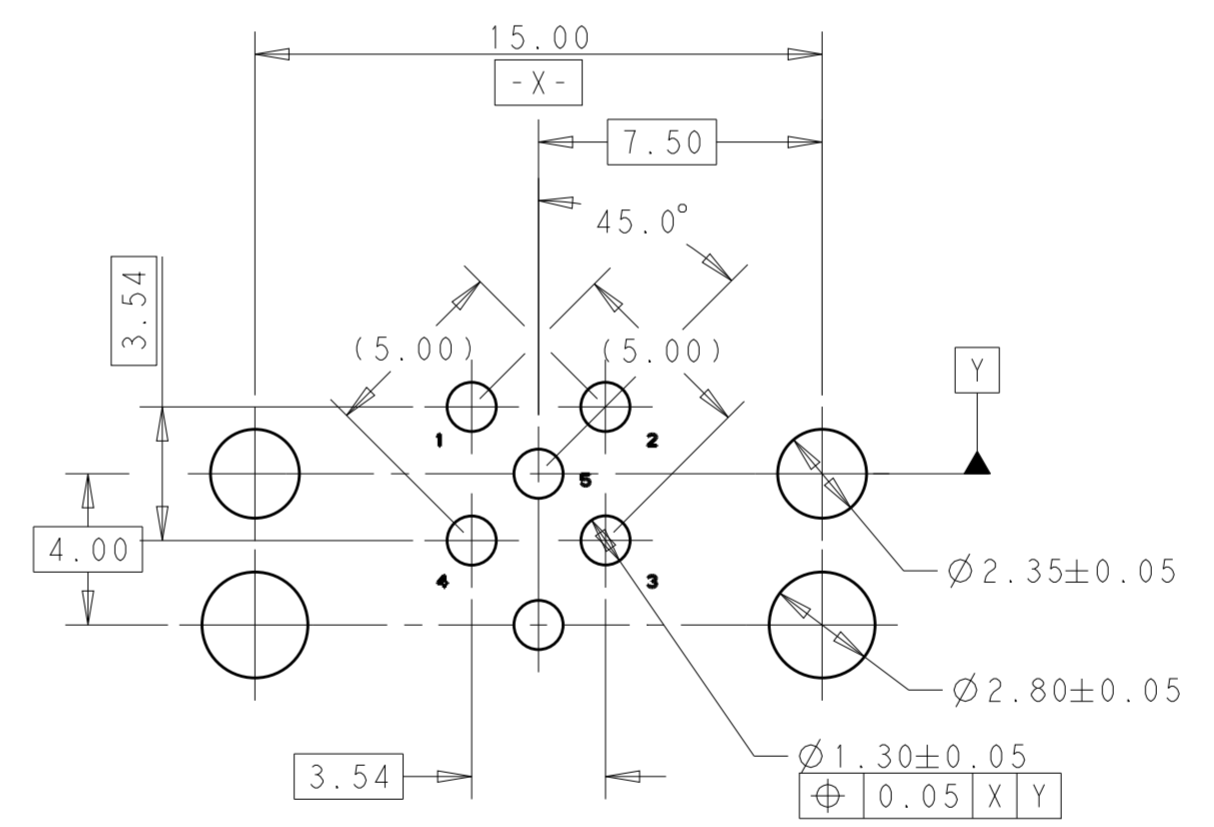
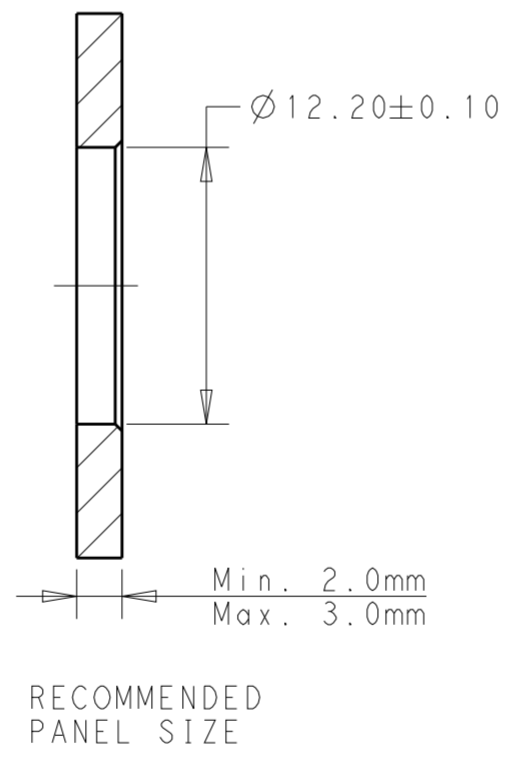
REVISIONS				
P	LTR	DESCRIPTION	DATE	APVD
A		INITIAL RELEASE	27OCT2016	N.P X.X



- NOTES:
1. TECHNICAL DATA: SEE TABLE 1
 2. PIN ARRANGEMENT: SEE TABLE 2
 3. RECOMMEND TORQUE 0.6Nm
 4. ALL PRODUCT MUST COMPLIANCE WITH ROHS AND REACH.

TABLE 1

TECHNICAL DATA	T4145535021-001	T4145535031-001	T4145535041-001	T4145535051-001
RATED VOLTAGE	250V	250V	250V	60V
TATED IMPULSE VOLTAGE	2500V	2500V	2500V	1500V
RATED CURRENT	4A	4A	4A	4A
POLLUTION DEGREE	3	3	3	3
OVERVOLTAGE CATEGORY	II	II	II	II
MATERIAL GROUP	II	II	II	II
CONTACT RESISTANCE	≤5mΩ	≤5mΩ	≤5mΩ	≤5mΩ
INSULATION RESISTANCE	>100MΩ	>100MΩ	>100MΩ	>100MΩ
DEGREE OF PROTECTION	IP67	IP67	IP67	IP67
OPERATION TEMPERATURE	-40~85°C	-40~85°C	-40~85°C	-40~85°C



RECOMMENDED PCB LAYOUT
 PCB THICKNESS: 1.6mm

- 注意事项
1. 技术参数：见表1
 2. PIN 针排布见表2；
 3. 推荐扭矩0.6Nm；
 4. 产品必须符合ROHS与REACH。

TABLE 2

PIN ARRANGEMENT D-CODE			
T4145535021-001	T4145535031-001	T4145535041-001	T4145535051-001

COMMENTS	MATERIAL	DESCRIPTION	ITEM
	COPPER ALLOY	SHIELDING	8
	PA66	SPACER	7
	COPPER ALLOY	NUT	6
	PRUBBER	O-RING	5
	COPPER ALLOY	COUPLING NUT	4
	RUBBER	O-RING	3
BALCK COLOR	PA66	HOUSING	2
GOLD FLASH	COPPER ALLOY	CONTACT	1

TYPE	POS.	PART NUMBER
RPC-M12D-FF-5CON-M12-LPSH1	5	T4145535051-001
RPC-M12D-FF-4CON-M12-LPSH1	4	T4145535041-001
RPC-M12D-FF-3CON-M12-LPSH1	3	T4145535031-001
RPC-M12D-FF-2CON-M12-LPSH1	2	T4145535021-001

THIS DRAWING IS A CONTROLLED DOCUMENT.

DWN Nick Pan 26AUG2016
 CHK Kobby Zhao 26AUG2016
 APVD Xiang Xu 26AUG2016

TE Connectivity

M12 RECEPTACLE CONNECTOR, PCB ASSEMBLY, ANGLED, SHIELDED, D-CODE

108-106140

SIZE A2 CAGE CODE - DRAWING NO. G-T41455350X1001 RESTRICTED TO -

MATERIAL TBD finish_spec_2 WEIGHT - SCALE 5:1 SHEET 1 OF 1 REV A