



Chipsmall Limited consists of a professional team with an average of over 10 year of expertise in the distribution of electronic components. Based in Hongkong, we have already established firm and mutual-benefit business relationships with customers from,Europe,America and south Asia,supplying obsolete and hard-to-find components to meet their specific needs.

With the principle of “Quality Parts,Customers Priority,Honest Operation,and Considerate Service”,our business mainly focus on the distribution of electronic components. Line cards we deal with include Microchip,ALPS,ROHM,Xilinx,Pulse,ON,Everlight and Freescale. Main products comprise IC,Modules,Potentiometer,IC Socket,Relay,Connector.Our parts cover such applications as commercial,industrial, and automotives areas.

We are looking forward to setting up business relationship with you and hope to provide you with the best service and solution. Let us make a better world for our industry!



Contact us

Tel: +86-755-8981 8866 Fax: +86-755-8427 6832

Email & Skype: info@chipsmall.com Web: www.chipsmall.com

Address: A1208, Overseas Decoration Building, #122 Zhenhua RD., Futian, Shenzhen, China



THIS DRAWING IS UNPUBLISHED. RELEASED FOR PUBLICATION
 © COPYRIGHT copyright.d8Te- ALL RIGHTS RESERVED.

REVISIONS				
P	LTR	DESCRIPTION	DATE	APVD
A2		ECR-16-010931 UPDATE NAME	02AUG2016	L.Z X.X

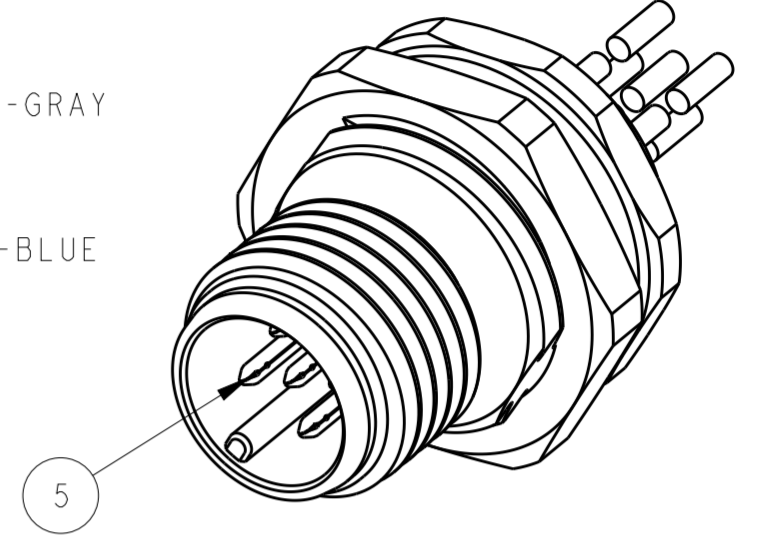
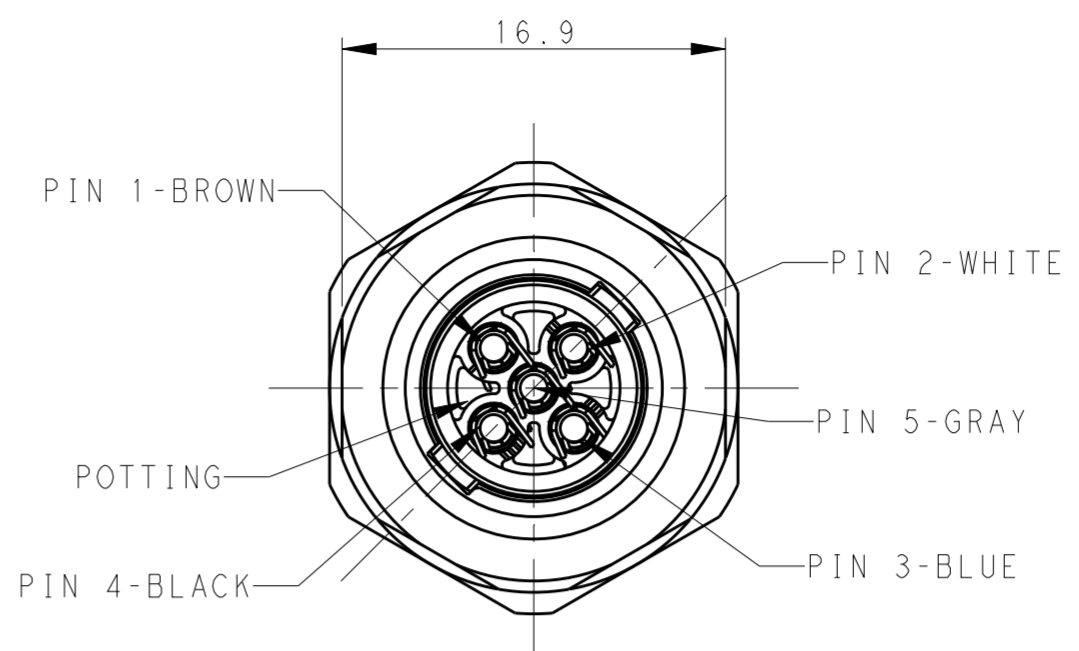
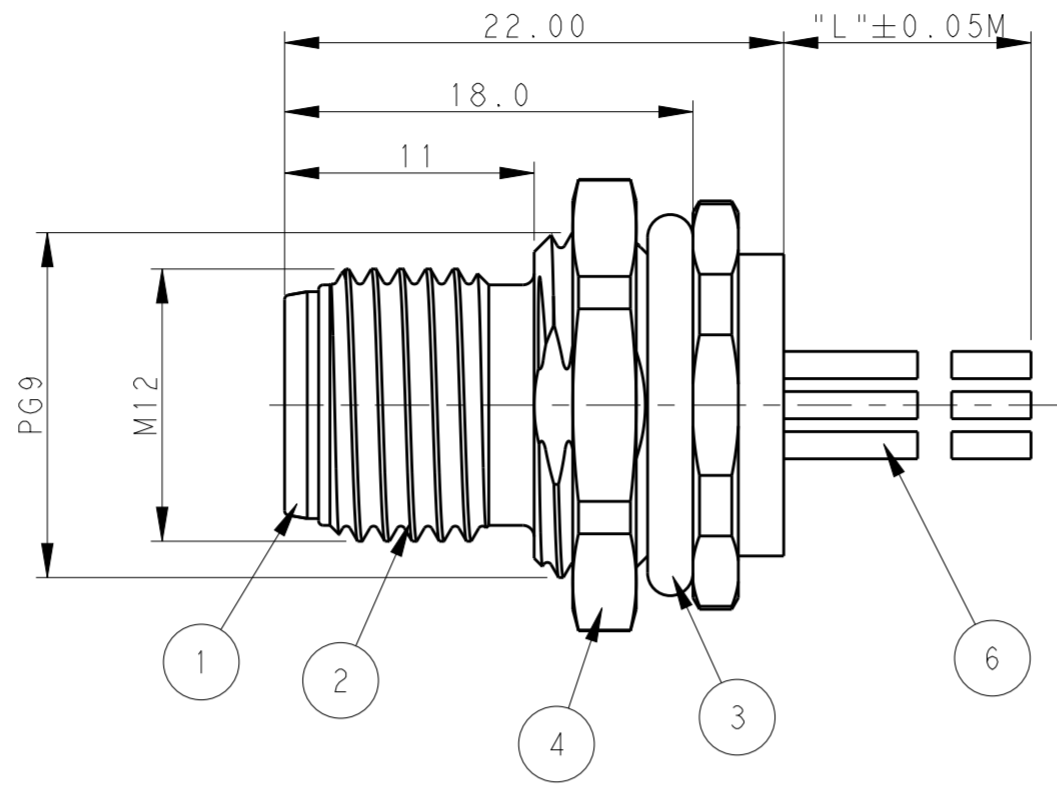
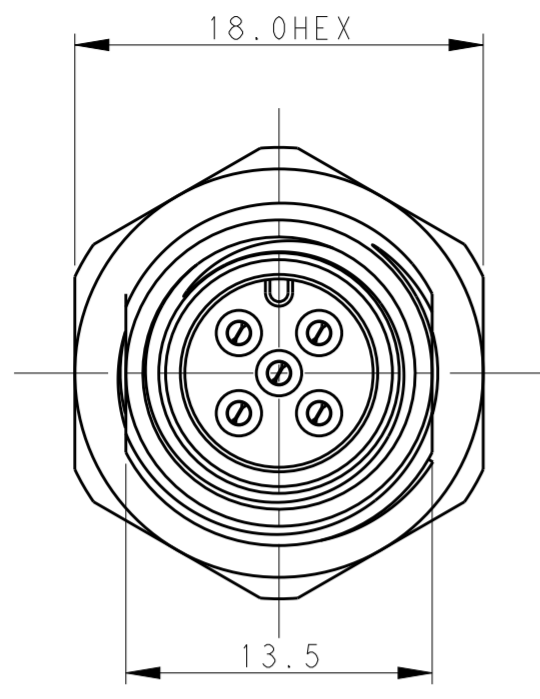


TABLE 1

TECHNICAL DATA	T4171010002-00L	T4171010003-00L	T4171010004-00L	T4171010005-00L
RATED VOLTAGE	250V	250V	250V	60V
RATED CURRENT	4A	4A	4A	4A
POLLUTION DEGREE	3	3	3	3
OVERVOLTAGE CATEGORY	II	II	II	II
MATERIAL GROUP	II	II	II	II
CONTACT RESISTANCE	<=10mΩ	<=10mΩ	<=10mΩ	<=10mΩ
INSULATION RESISTANCE	>100MΩ	>100MΩ	>100MΩ	>100MΩ
DEGREE OF PROTECTION	IP67	IP67	IP67	IP67
OPERATION TEMPERATURE	-40~85°C	-40~85°C	-40~85°C	-40~85°C

NOTE:

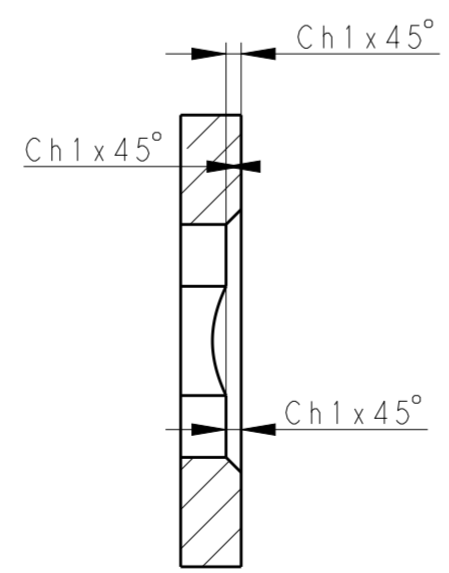
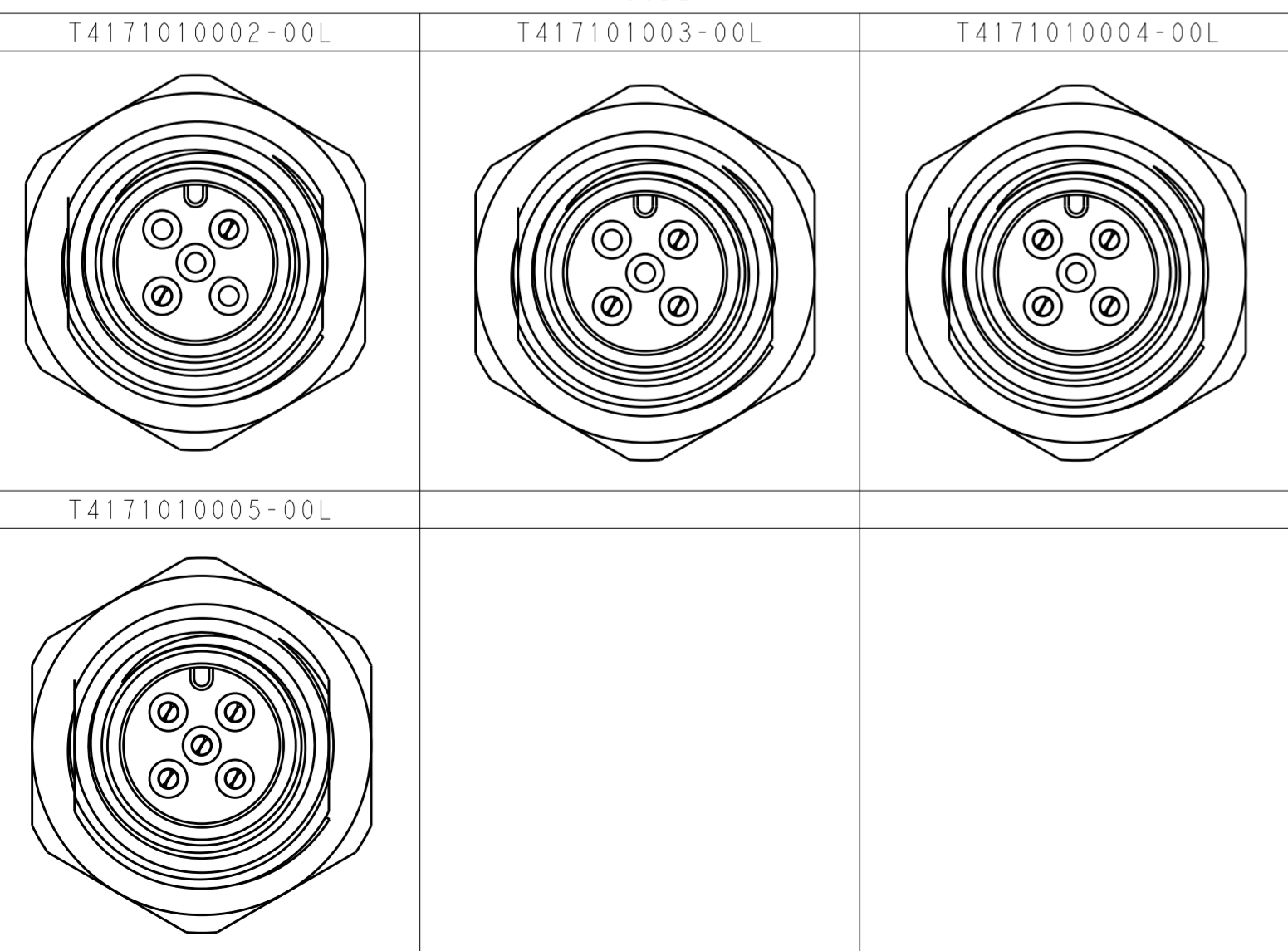
- 1. TECHNICAL DATA: SEE TABLE 1
- 2. PRODUCT COMPLIES WITH IEC61076-2-101
- 3. PLASTIC INERT MATERIAL:UL LISTED WITH UL94V0 FLAME RATING
- 4. CABLE LENGTH SEE TABLE 2

注释:

- 1: 技术参数, 见表1
- 2: 产品符合标准 IEC61076-2-101
- 3: 塑胶材料符合UL标准, UL-94V0阻燃等级
- 4: 线长度见表2

CABLE CHARACTERISTIC	CABLE LENGTH "L"	DESCRIPTION	POS	TABLE 2 PN
WIRES: 0.34MM^2(22AWG) WIRE PN AND COLOR: 1(BR)/2(WH)/3(BL)/4(BK)/5(GR)	-001: 0.2M	RPC-M12-MF-5CON-PG9-**LAU	5	T4171010005-00L
	-002: 0.5M	RPC-M12-MF-4CON-PG9-**LAU	4	T4171010004-00L
	-003: 1.0M	RPC-M12-MF-3CON-PG9-**LAU	3	T4171010003-00L
	-004: 1.5M	RPC-M12-MF-2CON-PG9-**LAU	2	T4171010002-00L
-005: 3.0M				
-006: 5.0M				
-007: 7.0M				
-008: 10.0M				

PIN ARRANGEMENT A-CODE



RECOMMENDED PANEL CUTOUT

COMMENT	MATERIAL	DESCRIPTION	ITEM
FLASH GOLD	COPPER ALLOY	CABLE CONTACT	6 2 3 4 5
	COPPER ALLOY	METAL NUT	5 2 3 4 5
	-	O-RING	4 1 1 1 1
	COPPER ALLOY	M12, MALE, METAL BODY	3 1 1 1 1
BLACK	NYLON	M12, MALE HSG, A CODE, 5PINS	2 1 1 1 1

THIS DRAWING IS A CONTROLLED DOCUMENT.

DWN BO GAO 29MAR2016
 CHK KOBBY ZHAO 29MAR2016
 APVD XIANG XU 29MAR2016

TE Connectivity

M12 PANEL MOUNT CONNECTOR A CODE, MALE, REAR MOUNTING

108-106140
 114-137144

SIZE A2 CAGE CODE - DRAWING NO. G-T417101000X00L RESTRICTED TO -

CUSTOMER DRAWING SCALE 2:1 SHEET 1 OF 1 REV A2