



Chipsmall Limited consists of a professional team with an average of over 10 year of expertise in the distribution of electronic components. Based in Hongkong, we have already established firm and mutual-benefit business relationships with customers from,Europe,America and south Asia,supplying obsolete and hard-to-find components to meet their specific needs.

With the principle of “Quality Parts,Customers Priority,Honest Operation,and Considerate Service”,our business mainly focus on the distribution of electronic components. Line cards we deal with include Microchip,ALPS,ROHM,Xilinx,Pulse,ON,Everlight and Freescale. Main products comprise IC,Modules,Potentiometer,IC Socket,Relay,Connector.Our parts cover such applications as commercial,industrial, and automotives areas.

We are looking forward to setting up business relationship with you and hope to provide you with the best service and solution. Let us make a better world for our industry!



## Contact us

Tel: +86-755-8981 8866 Fax: +86-755-8427 6832

Email & Skype: info@chipsmall.com Web: www.chipsmall.com

Address: A1208, Overseas Decoration Building, #122 Zhenhua RD., Futian, Shenzhen, China



## Features

- AM/FM Tuner Front End with Integrated PLL
- AM Up-conversion System (AM-IF: 10.7 MHz)
- FM Down-conversion System (FM-IF: 10.7 MHz)
- IF Frequencies up to 25 MHz
- Fine-tuning Steps: AM = 1 kHz and FM = 50 kHz/25 kHz/12.5 kHz
- Fast Fractional PLL (Lock Time < 1 ms) Inclusive Spurious Compensation
- Fast RF-AGC, Programmable in 1-dB Steps
- Fast IF-AGC, Programmable in 2-dB Steps
- Fast Frequency Change by 2 Programmable N-divider
- Two DACs for Automatic Tuner Alignment
- High S/N Ratio
- 3-wire Bus (Enable, Clock and Data; 3 V and 5 V Microcontrollers-compatible)



## AM/FM Front End IC

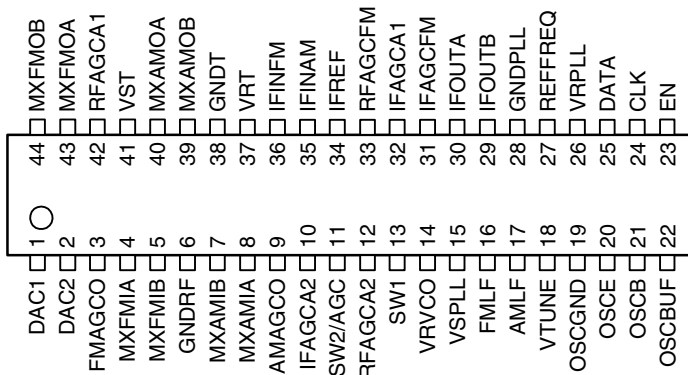
## T4260

## Description

The T4260 is an advanced AM/FM receiver with integrated fast PLL as a single-chip solution based on Atmel's high-performance BICMOS II technology. The low-impedance driver at the IF output is designed for the A/D of a digital IF. The fast tuning concept realized in this part is based on patents held by Atmel and allows lock times less than 1 ms for a jump over the FM band with a step width of 12.5 kHz. The AM up-conversion and the FM down-conversion allows an economic filter concept. An automatic tuner alignment is provided by built-in DACs for gain and offset compensation. The frequency range of the IC covers the FM broadcasting band as well as the AM band. The low current consumption helps the designers to achieve economic power consumption concepts and helps to keep the power dissipation in the tuner low.

## Pin Description

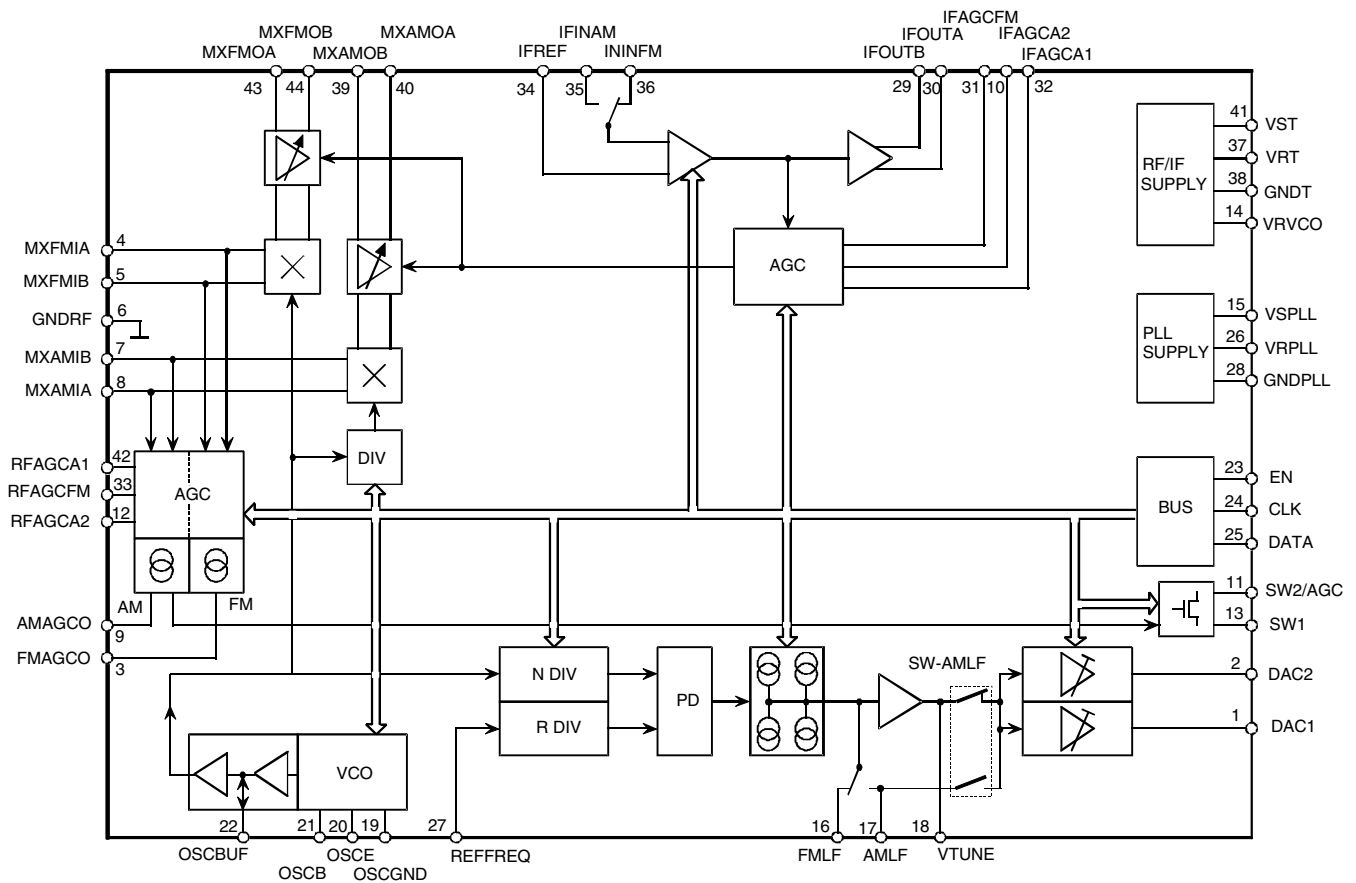
Figure 1. Pinning SSO44



## Pin Description

Pin	Symbol	Function
1	DAC1	DAC1 output
2	DAC2	DAC2 output
3	FMAGCO	FM AGC current
4	MXFMIA	FM mixer input A
5	MXFMIB	FM mixer input B
6	GNDRF	RF ground
7	MXAMIB	AM mixer input B
8	MXAMIA	AM mixer input A
9	AMAGCO	AM AGC current
10	IFAGCA2	AM IF-AGC filter 2
11	SW2/AGC	Switch 2/AM AGC voltage
12	RFAGCA2	RF AM-AGC filter 2
13	SW1	Switching output 1
14	VRVCO	VCO reference voltage
15	VSPLL	PLL supply voltage
16	FMLF	FM loop filter
17	AMLF	AM loop filter
18	VTUNE	Tuning voltage
19	OSCGND	Oscillator ground
20	OSCE	Oscillator emitter
21	OSCB	Oscillator base
22	OSCBUF	Oscillator buffer output/input
23	EN	3-wire bus Enable
24	CLK	3-wire bus Clock
25	DATA	3-wire bus Data
26	VRPLL	PLL reference voltage
27	REFFREQ	PLL reference frequency
28	GNDPLL	PLL ground
29	IFOUTB	IF output B
30	IFOUTA	IF output A
31	IFAGCFM	FM IF-AGC filter
32	IFAGCA1	AM IF-AGC filter 1
33	RFAGCFM	RF FM-AGC filter
34	IFREF	IF amplifier reference input
35	IFINAM	IF amplifier AM input
36	IFINFM	IF amplifier FM input
37	VRT	Tuner reference voltage
38	GNDT	Tuner ground
39	MXAMOB	AM mixer output B
40	MXAMOA	AM mixer output A
41	VST	Tuner supply voltage
42	RFAGCA1	RF AM-AGC filter 1
43	MXFMOA	FM mixer output A
44	MXFMOB	FM mixer output B

Figure 2. Block Diagram



## Functional Description

The T4260 implements an AM up-conversion reception path from the RF input signal to the IF output signal. A VCO and an LO prescaler for AM are integrated to generate the LO frequency to the AM mixer. The FM reception path generates the same LO frequency from the RF input signal by a down-conversion to the IF output. The IF A/D output is designed for digital signal processing. The IF can be chosen in the range of 10 MHz to 25 MHz. Automatic gain control (AGC) circuits are implemented to control the preamplifier stages in the AM and FM reception paths.

For improved performance, the PLL has an integrated special 2-bit shift fractional logic with spurious suppression that enables fast frequency changes in AM and FM mode by a low step frequency ( $f_{PDF}$ ). In addition, two programmable DACs (Digital to Analog Converter) support the alignment via a microcontroller.

For a double-tuner concept, external voltage can be applied at the input of the DACs, the internal PLL can be switched off and the OSC buffer (output) can also be used as input.

Several register bits (bit 0 to bit 145) are used to control the circuit's operation and to adapt certain circuit parameters to the specific application. The control bits are organized in four 8-bit, four 16-bit and three 24-bit registers that can be programmed by the 3-wire bus protocol. The bus protocol and the bit-to-register mapping is described in the section "3-wire Bus Description" on page 9. The meaning of the control bits is mentioned in the following sections.

## Absolute Maximum Ratings

Stresses beyond those listed under “Absolute Maximum Ratings” may cause permanent damage to the device. This is a stress rating only and functional operation of the device at these or any other conditions beyond those indicated in the operational sections of this specification is not implied. Exposure to absolute maximum rating conditions for extended periods may affect device reliability.

All voltages are referred to GND

Parameters	Symbol	Value	Unit
Analog supply voltage, pins 15 and 41	$V_{ST}, V_{SPLL}$	10	V
Maximum power consumption	$P_{tot}$	1.0	W
Ambient temperature range	$T_{amb}$	-40 to +85	°C
Storage temperature range	$T_{stg}$	-40 to +150	°C
Junction temperature	$T_j$	150	°C

## Thermal Resistance

Parameters	Symbol	Value	Unit
Junction ambient, soldered to PCB	$R_{thJA}$	52	K/W

## Operating Range

Parameters	Symbol	Min.	Typ.	Max.	Unit
Supply voltage range <sup>(1)</sup> , pins 15 and 41	$V_{ST}, V_{SPLL}$	8	8.5	10	V
Ambient temperature	$T_{amb}$	-40		85	°C
Oscillator frequency, pin 21	$R_{fi}$	60		175	MHz

Note: 1.  $V_{ST}$  and  $V_{SPLL}$  must have the same voltage.

## Electrical Characteristics

Test conditions (unless otherwise specified):  $V_{ST}/V_{SPLL} = +8.5$  V,  $T_{amb} = +25$ °C

No.	Parameters	Test Conditions	Pin	Symbol	Min.	Typ.	Max.	Unit	Type*
<b>1</b>	<b>Power Supply</b>								
1.1	Supply voltage		15, 41	$V_S$	8	8.5	10	V	C
1.2	Supply current	AM and FM mode, $V_S = 10$ V	15, 41	$I_S$	70	85	110	mA	A
<b>2</b>	<b>PLL Divider</b>								
2.1	Programmable R-divider	14-bit register			3		16383		A
2.2	Programmable (VCO) N-divider (1 kHz step frequency)	2-bit × 18-bit register switchable via bit 5			3		262143		A
2.3	Reference oscillator input voltage	$f = 0.1$ MHz to 3 MHz	27		100			mV <sub>rms</sub>	B
2.4	Reference frequency	FM AM			120 120	150 2850	10000 10000	kHz kHz	

\*) Type means: A = 100% tested, B = 100% correlation tested, C = Characterized on samples, D = Design parameter

Note: 1. Minimum and maximum limits are characterized for entire temperature range (-40°C to +85°C) but are tested at +25°C

## Electrical Characteristics (Continued)

Test conditions (unless otherwise specified):  $V_{ST}/V_{SPLL} = +8.5\text{ V}$ ,  $T_{amb} = +25^\circ\text{C}$

No.	Parameters	Test Conditions	Pin	Symbol	Min.	Typ.	Max.	Unit	Type*
2.5	Settling time in FM mode (switching from 87.5 MHz to 108 MHz or vice versa)	$f_{PD} = 50\text{ kHz}$ $I_{PD} = 2\text{ mA}$				1		ms	B
<b>3</b>	<b>AMLF/FMLF</b>								
3.1	Output current 1	FMLF, AMLF = 1.8 V	16, 17		40	50	60	$\mu\text{A}$	A <sup>(1)</sup>
3.2	Output current 2	FMLF, AMLF = 1.8 V	16, 17		80	100	120	$\mu\text{A}$	A <sup>(1)</sup>
3.3	Output current 3	FMLF, AMLF = 1.8 V	16, 17		850	1000	1250	$\mu\text{A}$	A <sup>(1)</sup>
3.4	Output current 4	FMLF, AMLF = 1.8 V	16, 17		1650	2000	2450	$\mu\text{A}$	A <sup>(1)</sup>
3.5	Leakage current	FMLF, AMLF = 1.8 V	16, 17				10	nA	A <sup>(1)</sup>
<b>4</b>	<b>VTUNE</b>								
4.1	Saturation voltage LOW	$V_{SATL} = V_{TUNEMIN}$	18	$V_{SATL}$	100	200	400	mV	C
4.2	Saturation voltage HIGH	$V_{SATH} = V_{SPLL} - V_{TUNEMAX}$	18	$V_{SATH}$			500	mV	C
<b>5</b>	<b>DAC1, DAC2</b>								
5.1	Output current		1, 2	$I_{DAC1,2}$			1	mA	D
5.2	Output voltage		1, 2	$V_{DAC1,2}$	0.3		$V_S - 0.6$	V	A
5.3	Maximum offset range	Offset = 0, gain = 58	1, 2		0.9	0.98	1.1	V	A <sup>(1)</sup>
5.4	Minimum offset range	Offset = 127, gain = 58	1, 2		-0.9	-0.98	-1.1	V	A <sup>(1)</sup>
5.5	Maximum gain range	Gain = 255, offset = 64	1, 2		2.06	2.09	2.13	–	A <sup>(1)</sup>
5.6	Minimum gain range	Gain = 0, offset = 64	1, 2		0.63	0.67	0.73	–	A <sup>(1)</sup>
<b>6</b>	<b>Oscillator</b>								
6.1	Frequency range		21		60		170	MHz	B
6.2	Fractional frequency range	Fractional mode	21		60		140	MHz	A
6.3	Buffer output		22		150			$\text{mV}_{\text{rms}}$	C
<b>7</b>	<b>Oscillator Input</b>								
7.1	Input voltage		21	$V_{OSC}$	150			$\text{mV}_{\text{rms}}$	A
<b>8</b>	<b>FM Mixer</b>								
8.1	Frequency range				75		163	MHz	B
8.2	Input IP3					133		$\text{dB}\mu\text{V}$	C
8.3	Input impedance					3.5		$\text{k}\Omega$	D
8.4	Input capacitance						4	pF	D
8.5	Noise figure			F		14		dB	C
8.6	Conversion transconductance				2.6	3.1	3.6	ms	D <sup>(1)</sup>

\*) Type means: A = 100% tested, B = 100% correlation tested, C = Characterized on samples, D = Design parameter

Note: 1. Minimum and maximum limits are characterized for entire temperature range (-40°C to +85°C) but are tested at +25°C

## Electrical Characteristics (Continued)

Test conditions (unless otherwise specified):  $V_{ST}/V_{SPLL} = +8.5\text{ V}$ ,  $T_{amb} = +25^\circ\text{C}$

No.	Parameters	Test Conditions	Pin	Symbol	Min.	Typ.	Max.	Unit	Type*
<b>9</b>	<b>AM Mixer (Symmetrical Input)</b>								
9.1	Frequency range				0.075		26	MHz	B
9.2	Input IP3					133		dB $\mu$ V	C
9.3	Input impedance					2.5		k $\Omega$	D
9.4	Noise figure			F		10		dB	C
9.5	Conversion transconductance				2.6	3.1	3.6	mS	D <sup>(1)</sup>
<b>10</b>	<b>Isolation</b>								
10.1	Isolation AM-FM					40		dB	C
10.2	IF suppression					40		dB	C
<b>11</b>	<b>RF-AGC</b>								
11.1	Frequency range	FM AM			75 0.075		163 26	MHz MHz	A
11.2	Output current	FM AM				5 5		mA mA	B
11.3	Output current time constant	FM rising FM falling AM symmetrical				2 50 40		ms ms ms	C
11.4	RF-AGC AM threshold (programmable with bit 12 - bit 15)	88 dB $\mu$ V	42		87	88	90	dB $\mu$ V	A <sup>(1)</sup>
		89 dB $\mu$ V	42		88	89	91	dB $\mu$ V	A <sup>(1)</sup>
		90 dB $\mu$ V	42		89	90	92	dB $\mu$ V	A <sup>(1)</sup>
		91 dB $\mu$ V	42		90	91	93	dB $\mu$ V	A <sup>(1)</sup>
		92 dB $\mu$ V	42		91	92	94	dB $\mu$ V	A <sup>(1)</sup>
		93 dB $\mu$ V	42		92	93	95	dB $\mu$ V	A <sup>(1)</sup>
		94 dB $\mu$ V	42		93	94	96	dB $\mu$ V	A <sup>(1)</sup>
		95 dB $\mu$ V	42		94	95	97	dB $\mu$ V	A <sup>(1)</sup>
		96 dB $\mu$ V	42		95	96	98	dB $\mu$ V	A <sup>(1)</sup>
		97 dB $\mu$ V	42		96	97	99	dB $\mu$ V	A <sup>(1)</sup>
		98 dB $\mu$ V	42		97	98	100	dB $\mu$ V	A <sup>(1)</sup>
		99 dB $\mu$ V	42		98	99	101	dB $\mu$ V	A <sup>(1)</sup>
		100 dB $\mu$ V	42		99	100	102	dB $\mu$ V	A <sup>(1)</sup>
101 dB $\mu$ V	42		100	101	103	dB $\mu$ V	A <sup>(1)</sup>		
102 dB $\mu$ V	42		101	102	104	dB $\mu$ V	A <sup>(1)</sup>		
103 dB $\mu$ V	42		102	103	107	dB $\mu$ V	A <sup>(1)</sup>		

\*) Type means: A = 100% tested, B = 100% correlation tested, C = Characterized on samples, D = Design parameter

Note: 1. Minimum and maximum limits are characterized for entire temperature range (-40°C to +85°C) but are tested at +25°C

## Electrical Characteristics (Continued)

Test conditions (unless otherwise specified):  $V_{ST}/V_{SPLL} = +8.5\text{ V}$ ,  $T_{amb} = +25^\circ\text{C}$

No.	Parameters	Test Conditions	Pin	Symbol	Min.	Typ.	Max.	Unit	Type*
11.5	RF-AGC FM threshold (programmable with bit 12 - bit 15)	91 dB $\mu$ V	33		90	91	93	dB $\mu$ V	A <sup>(1)</sup>
		92 dB $\mu$ V	33		91	92	95	dB $\mu$ V	A <sup>(1)</sup>
		93 dB $\mu$ V	33		92	93	96	dB $\mu$ V	A <sup>(1)</sup>
		94 dB $\mu$ V	33		93	94	96	dB $\mu$ V	A <sup>(1)</sup>
		95 dB $\mu$ V	33		94	95	98	dB $\mu$ V	A <sup>(1)</sup>
		96 dB $\mu$ V	33		95	96	99	dB $\mu$ V	A <sup>(1)</sup>
		97 dB $\mu$ V	33		96	97	102	dB $\mu$ V	A <sup>(1)</sup>
		98 dB $\mu$ V	33		97	98	101	dB $\mu$ V	A <sup>(1)</sup>
		99 dB $\mu$ V	33		98	99	102	dB $\mu$ V	A <sup>(1)</sup>
		100 dB $\mu$ V	33		99	100	104	dB $\mu$ V	A <sup>(1)</sup>
		101 dB $\mu$ V	33		100	101	104	dB $\mu$ V	A <sup>(1)</sup>
		102 dB $\mu$ V	33		101	102	105	dB $\mu$ V	A <sup>(1)</sup>
		103 dB $\mu$ V	33		102	103	106	dB $\mu$ V	A <sup>(1)</sup>
		104 dB $\mu$ V	33		103	104	107	dB $\mu$ V	A <sup>(1)</sup>
105 dB $\mu$ V	33		104	105	108	dB $\mu$ V	A <sup>(1)</sup>		
106 dB $\mu$ V	33		105	106	109	dB $\mu$ V	A <sup>(1)</sup>		
<b>12</b>	<b>IF Amplifier</b>								
12.1	Frequency range				10		25	MHz	A
12.2	Output voltage					117		dB $\mu$ V	B
12.3	Distortion (2-tone IM3)	f1 = 10.7 MHz f2 = 10.75 MHz RL = 2 × 300 $\Omega$				55		dB	A
12.4	Gain (programmable in 2-dB steps)	Minimum gain Maximum gain				12 42		dB dB	A
12.5	Input impedance	FM AM	36, 35			330 2500		$\Omega$ $\Omega$	D
<b>13</b>	<b>IF-AGC</b>								
13.1	IF-AGC AM/FM threshold (programmable with bit 0 - bit 2)	109 dB $\mu$ V	29/30		108	109	112	dB $\mu$ V	A <sup>(1)</sup>
		111 dB $\mu$ V	29/30		110	111	114	dB $\mu$ V	A <sup>(1)</sup>
		113 dB $\mu$ V	29/30		111	113	115	dB $\mu$ V	A <sup>(1)</sup>
		115 dB $\mu$ V	29/30		113	115	117	dB $\mu$ V	A <sup>(1)</sup>
		117 dB $\mu$ V	29/30		116	117	121	dB $\mu$ V	A <sup>(1)</sup>
		118 dB $\mu$ V	29/30		117	118	122	dB $\mu$ V	A <sup>(1)</sup>
		119 dB $\mu$ V	29/30		118	119	123	dB $\mu$ V	A <sup>(1)</sup>
121 dB $\mu$ V	29/30		120	121	126	dB $\mu$ V	A <sup>(1)</sup>		
13.2	AGC dynamic range					40		dB	B
13.3	AGC time constant (external capacity $\leq 100\text{ nF}$ )	FM rising FM falling AM symmetrical				16 4 200		$\mu$ s ms ms	D

\*) Type means: A = 100% tested, B = 100% correlation tested, C = Characterized on samples, D = Design parameter

Note: 1. Minimum and maximum limits are characterized for entire temperature range (-40°C to +85°C) but are tested at +25°C



## Electrical Characteristics (Continued)

Test conditions (unless otherwise specified):  $V_{ST}/V_{SPLL} = +8.5\text{ V}$ ,  $T_{amb} = +25^\circ\text{C}$

No.	Parameters	Test Conditions	Pin	Symbol	Min.	Typ.	Max.	Unit	Type*
<b>14</b>	<b>IF Gain</b>								
14.1	IF gain (programmable with bit 6 - bit 9)	12 dB			9	12	14	dB	A <sup>(1)</sup>
		14 dB			12	14	16	dB	A <sup>(1)</sup>
		16 dB			14	16	18	dB	A <sup>(1)</sup>
		18 dB			17	18	20	dB	C <sup>(1)</sup>
		20 dB			17	20	22	dB	A <sup>(1)</sup>
		22 dB			19	22	24	dB	C <sup>(1)</sup>
		24 dB			21	24	26	dB	C <sup>(1)</sup>
		26 dB			23	26	28	dB	C <sup>(1)</sup>
		28 dB			25	28	30	dB	A <sup>(1)</sup>
		30 dB			27	30	32	dB	C <sup>(1)</sup>
		32 dB			29	32	34	dB	C <sup>(1)</sup>
		34 dB			31	34	36	dB	C <sup>(1)</sup>
		36 dB			33	36	38	dB	C <sup>(1)</sup>
		38 dB			35	38	40	dB	C <sup>(1)</sup>
40 dB			37	40	42	dB	C <sup>(1)</sup>		
42 dB			39	42	44	dB	A <sup>(1)</sup>		
<b>15</b>	<b>SWO1 (Open Drain)</b>								
15.1	Output voltage LOW	$I = 1\text{ mA}$ , $V_{SWO1} = 8.5\text{ V}$	13	$V_{SWOL}$	100	160	200	mV	A
15.2	Output leakage current HIGH		13	$I_{OHL}$			10	$\mu\text{A}$	A
15.3	Maximum output voltage		13			8.5		V	C
<b>16</b>	<b>SW2/AGC (Open Drain in Switch Mode)</b>								
16.1	Output voltage LOW	$I = 1\text{ mA}$ , $V_{11} = 6\text{ V}$	11	$V_{SWOL}$	100	160	200	mV	A
16.2	Output leakage current HIGH		11	$I_{OHL}$			10	$\mu\text{A}$	A
16.3	Maximum output voltage		11			6		V	C
<b>17</b>	<b>3-wire Bus, ENABLE, DATA, CLOCK</b>								
17.1	Input voltage	High Low	23-25	$V_{BUS}$ $V_{BUS}$	2.7 -0.3		5.3 +0.8	V V	A A
17.2	Clock frequency		24				1.0	MHz	B
17.3	Period of CLK		24	$t_H$ $t_L$	250 250			ns ns	C C
17.4	Rise time EN, DATA, CLK		23-25	$t_R$			400	ns	C
17.5	Fall time EN, DATA, CLK		23-25	$t_F$			100	ns	C
17.6	Set-up time		23-25	$t_S$	100			ns	C
17.7	Hold time EN		23	$t_{HEN}$	250			ns	C
17.8	Hold time DATA		25	$t_{HDA}$	0			ns	C

\*) Type means: A = 100% tested, B = 100% correlation tested, C = Characterized on samples, D = Design parameter

Note: 1. Minimum and maximum limits are characterized for entire temperature range (-40°C to +85°C) but are tested at +25°C

### 3-wire Bus Description

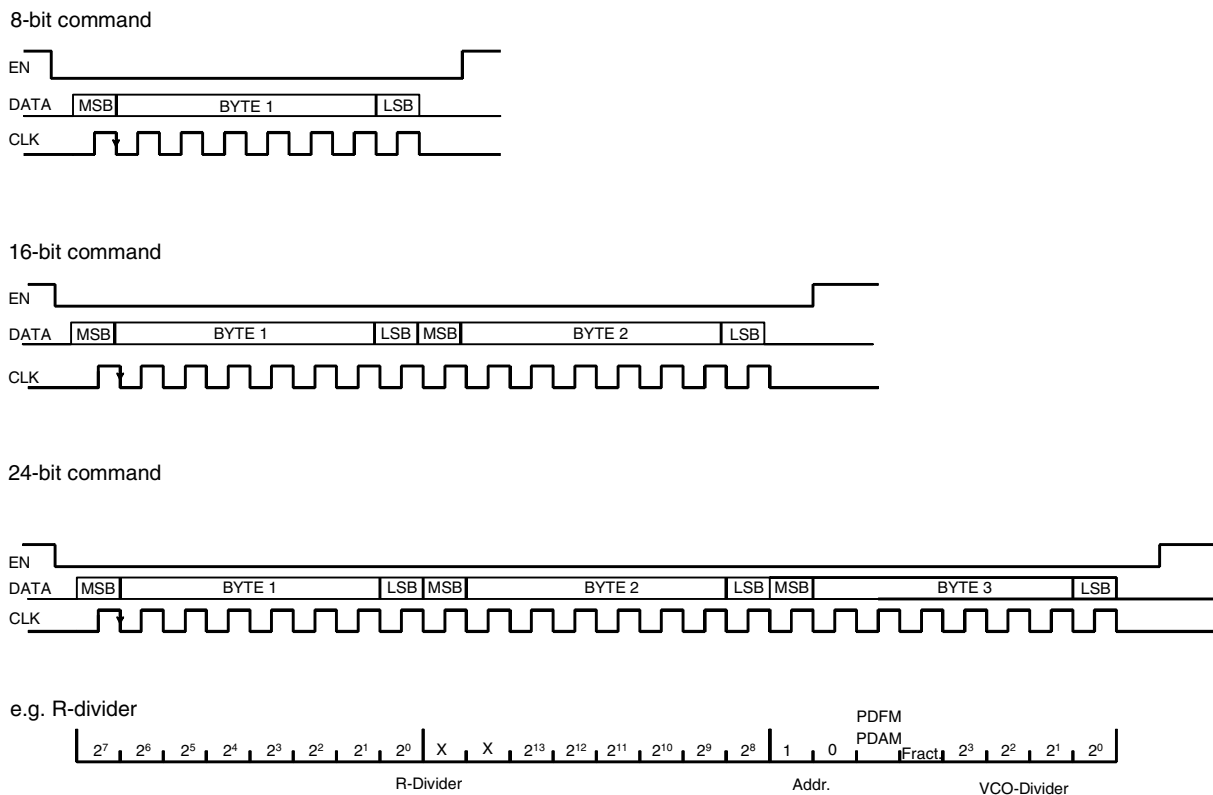
The register settings of the T4260 are programmed by a 3-wire bus protocol. The bus protocol consists of separate commands. A defined number of bits is transmitted sequentially during each command.

One command is used to program all bits of one register. The different registers available (see chapter “3-wire Bus Data Transfer” on page 11) are addressed by the length of the command (number of transmitted bits) and by two address bits that are unique to each register of a given length. 8-bit registers are programmed by 8-bit commands, 16-bit registers are programmed by 16-bit commands and 24-bit registers are programmed by 24-bit commands.

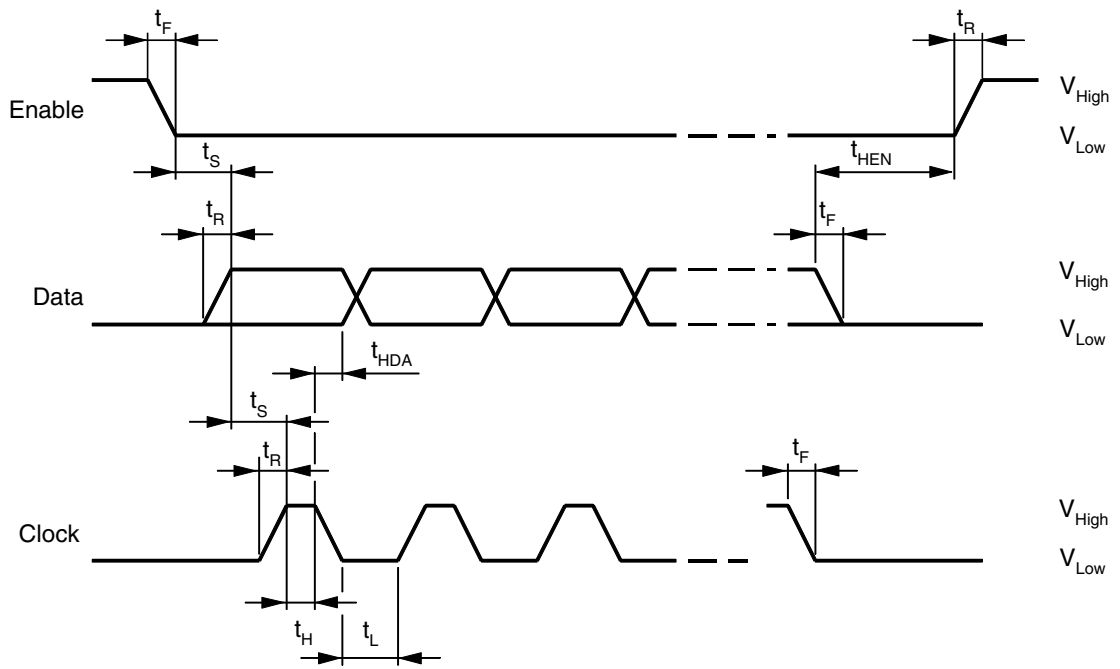
Each bus command starts with a falling edge on the enable line (EN) and ends with a rising edge on EN. EN has to be kept LOW during the bus command.

The sequence of transmitted bits during one command starts with the MSB of the first byte and ends with the LSB of the last byte of the register addressed. To transmit one bit (0/1), DATA has to be set to the appropriate value (LOW/HIGH) and a LOW-to-HIGH transition has to be performed on the clock line (CLK) while DATA is valid. The DATA is evaluated at the rising edges of CLK. The number of LOW-to-HIGH transitions on CLK during the LOW period of EN is used to determine the length of the command.

Figure 3. 3-wire Pulse Diagram



**Figure 4. 3-wire Bus Timing Diagram**



### 3-wire Bus Data Transfer

**Table 1.** Control Registers

A24_10																																																					
MSB								BYTE 1								LSB		MSB								BYTE 2								LSB		MSB								BYTE 3								LSB	
R-Divider								R-Divider								ADDR.		PDAM/PDFM		Fractional		Divider VCO																															
2 <sup>7</sup>	2 <sup>6</sup>	2 <sup>5</sup>	2 <sup>4</sup>	2 <sup>3</sup>	2 <sup>2</sup>	2 <sup>1</sup>	2 <sup>0</sup>	x	x	2 <sup>13</sup>	2 <sup>12</sup>	2 <sup>11</sup>	2 <sup>10</sup>	2 <sup>9</sup>	2 <sup>8</sup>	1	0	1/0	0/1	2 <sup>3</sup>	2 <sup>2</sup>	2 <sup>1</sup>	2 <sup>0</sup>																														
131	130	129	128	127	126	125	124	139	138	137	136	135	134	133	132	x	x	145	144	143	142	141	140																														

A24_01																																																					
MSB								BYTE 1								LSB		MSB								BYTE 2								LSB		MSB								BYTE 3								LSB	
N2-Divider								N2-Divider								ADDR.		x		x		x		x		N2-Divider																											
2 <sup>7</sup>	2 <sup>6</sup>	2 <sup>5</sup>	2 <sup>4</sup>	2 <sup>3</sup>	2 <sup>2</sup>	2 <sup>1</sup>	2 <sup>0</sup>	2 <sup>15</sup>	2 <sup>14</sup>	2 <sup>13</sup>	2 <sup>12</sup>	2 <sup>11</sup>	2 <sup>10</sup>	2 <sup>9</sup>	2 <sup>8</sup>	0	1	0 <sup>(1)</sup>	0 <sup>(1)</sup>	0 <sup>(1)</sup>	0 <sup>(1)</sup>	2 <sup>17</sup>	2 <sup>16</sup>																														
109	108	107	106	105	104	103	102	117	116	115	114	113	112	111	110	x	x	123	122	121	120	119	118																														

Note: 1. Value has to be 0.

A24_00																																																					
MSB								BYTE 1								LSB		MSB								BYTE 2								LSB		MSB								BYTE 3								LSB	
N1-Divider								N1-Divider								ADDR.		x		x		x		x		N1-Divider																											
2 <sup>7</sup>	2 <sup>6</sup>	2 <sup>5</sup>	2 <sup>4</sup>	2 <sup>3</sup>	2 <sup>2</sup>	2 <sup>1</sup>	2 <sup>0</sup>	2 <sup>15</sup>	2 <sup>14</sup>	2 <sup>13</sup>	2 <sup>12</sup>	2 <sup>11</sup>	2 <sup>10</sup>	2 <sup>9</sup>	2 <sup>8</sup>	0	0	0 <sup>(1)</sup>	0 <sup>(1)</sup>	0 <sup>(1)</sup>	0 <sup>(1)</sup>	2 <sup>17</sup>	2 <sup>16</sup>																														
87	86	85	84	83	82	81	80	95	94	93	92	91	90	89	88	x	x	101	100	99	98	97	96																														

Note: 1. Value has to be 0.

A16_11																																			
MSB								BYTE 1								LSB		MSB								BYTE 2								LSB	
DAC2-Gain								ADDR.																											
2 <sup>7</sup>	2 <sup>6</sup>	2 <sup>5</sup>	2 <sup>4</sup>	2 <sup>3</sup>	2 <sup>2</sup>	2 <sup>1</sup>	2 <sup>0</sup>	1	1	x	x	x	x	x	x																				
73	72	71	70	69	68	67	66	x	x	79	78	77	76	75	74																				

A16_10																																			
MSB								BYTE 1								LSB		MSB								BYTE 2								LSB	
DAC2-Offset								ADDR.		SW-AMLF		Osc.-Buffer		Low c. CP		High c. CP		SW-impulse		SW-wire															
x	2 <sup>6</sup>	2 <sup>5</sup>	2 <sup>4</sup>	2 <sup>3</sup>	2 <sup>2</sup>	2 <sup>1</sup>	2 <sup>0</sup>	1	0	1 = standard	ON/OFF	HI/LO	HI/LO	ON/OFF	ON/OFF																				
59	58	57	56	55	54	53	52	x	x	65	64	63	62	61	60																				

A16_01																																			
MSB								BYTE 1								LSB		MSB								BYTE 2								LSB	
DAC1-Gain								ADDR.		1 = SW2 0 = AGC		SW2 1 = low		SW1 1 = low																					
2 <sup>7</sup>	2 <sup>6</sup>	2 <sup>5</sup>	2 <sup>4</sup>	2 <sup>3</sup>	2 <sup>2</sup>	2 <sup>1</sup>	2 <sup>0</sup>	0	1	x	x	x	1/0	1/0	1/0																				
45	44	43	42	41	40	39	38	x	x	51	50	49	48	47	46																				

A16_00															
MSB								LSB							
BYTE 1								BYTE 2							
DAC1-Offset								ADDR.	x	x	x	x	x	SHIFT	
x	2 <sup>6</sup>	2 <sup>5</sup>	2 <sup>4</sup>	2 <sup>3</sup>	2 <sup>2</sup>	2 <sup>1</sup>	2 <sup>0</sup>	0	0	0	0	0	0	0 <sup>(1)</sup>	1/0
31	30	29	28	27	26	25	24	x	x	37	36	35	34	33	32

Note: 1. Value has to be 0.

A8_11							
MSB				LSB			
BYTE 1				BYTE 2			
ADDR.	Delay time high cur. CP2		Delay time high cur. CP1		x	HCDEL	
1	1	ON/OFF	HI/LO	ON/OFF	HI/LO	0 <sup>(1)</sup>	1/0
x	x	23	22	21	20	19	18

Note: 1. Value has to be 0.

A8_10							
MSB				LSB			
BYTE 1				BYTE 2			
ADDR.	AM/FM	IF-AGC	RF-AGC				
1	0	1/0	1/0	2 <sup>3</sup>	2 <sup>2</sup>	2 <sup>1</sup>	2 <sup>0</sup>
x	x	17	16	15	14	13	12

A8_01							
MSB				LSB			
BYTE 1				BYTE 2			
ADDR.	IF-IN	VCO	IF-Gain				
0	1	AM/FM	HI/LO	2 <sup>3</sup>	2 <sup>2</sup>	2 <sup>1</sup>	2 <sup>0</sup>
x	x	11	10	9	8	7	6

A8_00							
MSB				LSB			
BYTE 1				BYTE 2			
ADDR.	N2/N1	PLL ON/OFF	PD TE/PD	IF-AGC			
0	0	1/0	1/0	0 <sup>(1)</sup>	2 <sup>2</sup>	2 <sup>1</sup>	2 <sup>0</sup>
x	x	5	4	3	2	1	0

Note: 1. Value has to be 0.

## Bus Control

### IF-AGC

The IF-AGC controls the level of the IF signal that is passed to the external ceramic filter and the IF input (AM pin 35 or FM pin 36 and pin 34). In AM mode the time constant can be selected by the external capacitors at pin 32 (IFAGCA1) and pin 10 (IFAGCA2) and in FM mode by an external capacitor at pin 31 (IFAGCFM). In AM mode, the double pole (by the capacitors at pin 32 and pin 10) allows a better harmonic distortion by a lower time constant.

The IF-AGC threshold can be controlled by setting bits 0 to 2 as given in Table 2.

**Table 2.** IF-AGC Threshold

IF-AGC	B2	B1	B0
109 dB $\mu$ V	0	0	0
111 dB $\mu$ V	0	0	1
113 dB $\mu$ V	0	1	0
115 dB $\mu$ V	0	1	1
117 dB $\mu$ V	1	0	0
118 dB $\mu$ V	1	0	1
119 dB $\mu$ V	1	1	0
121 dB $\mu$ V	1	1	1

The IF-AGC ON/OFF can be controlled by bit 16 as given in Table 3.

**Table 3.** IF-AGC

IF-AGC ON/OFF	B16
IF-AGC ON	0
IF-AGC OFF	1

### PD Test

A special test mode for PD is implemented for final production test only. This mode is activated by setting bit 3 = 1. This mode is not intended to be used by customer application. For normal operation bit 3 has to be set to 0.

**Table 4.** PD-Test Mode

PD TE/PD	B3
Pin 17 = AMLF output (standard)	0
Pin 17 = PD Test mode	1

### N1/N2

The N2/N1 bit controls the active N-divider. Only one of the two N-Divider can be active. The N1-Divider is activated by setting bit 5 = 0, the N2-Divider by setting bit 5 = 1.

**Table 5.** N-Divider

N2/N1	B5
N1-divider active	0
N2-divider active	1

## IF Amplifier

The IF gain amplifier can be used in AM and FM mode to compensate the loss of the external ceramic bandfilters.

The IF gain can be controlled in 2-dB steps by setting bit 6 to bit 9 as given in Table 6.

**Table 6.** IF Gain

IF Gain	B9	B8	B7	B6
12 dB	0	0	0	0
14 dB	0	0	0	1
16 dB	0	0	1	0
18 dB	0	0	1	1
20 dB	0	1	0	0
...	...	...	...	...
40 dB	1	1	1	0
42 dB	1	1	1	1

The selection of the IF amplifier input can be controlled by bit 11 as given in Table 7.

**Table 7.** IF-IN Operating Mode

IF-IN AM/FM	B11
IF-IN FM	0
IF-IN AM	1

Note: The AM input (pin 35) has an input impedance of 2.5 k $\Omega$  for matching with a crystal filter. The FM input (pin 36) has an input impedance of 330  $\Omega$  for matching with a ceramic filter.

## VCO

The VCO HI/LO function is controlled by means of bit 10.

**Table 8.** VCO Operating Mode

VCO HI/LO	B10
VCO high current	0
VCO low current	1

## RF-AGC

The AM and FM RF-AGC controls the current into the AM and FM pin diodes (FM pin 3 and AM pin 9) to limit the level at the AM or FM mixer input. If the level at the AM or FM mixer input exceeds the selected threshold, then the current into the AM or FM pin diodes increases. If this step is not sufficient in AM mode, the source drain voltage of the MOSFET (pin 11) can be decreased. In AM mode, the time constants can be selected by the external capacitors at pin 42 (RFAGCA1) and at pin 12 (RFAGCAM2) and in FM mode by an external capacitor at pin 33 (RFAGCFM). In AM mode, the double pole (by the capacitors at pin 42 and pin 12) allows a better harmonic distortion by a higher time constant.

The RF-AGC can be controlled in 1-dB steps by setting the bits 12 to 15. The values for FM and AM are controlled by bit 17.

**Table 9.** RF-AGC

RF-AGC AM	RF-AGC FM	B15	B14	B13	B12
88 dB	91 dB	0	0	0	0
89 dB	92 dB	0	0	0	1
90 dB	93 dB	0	0	1	0
91 dB	94 dB	0	0	1	1
92 dB	95 dB	0	1	0	0
...	...	...	...	...	...
102 dB	105 dB	1	1	1	0
103 dB	106 dB	1	1	1	1

**Reception Mode**

There are two different operation modes, AM and FM, which are selected by means of bit 17 and bit 145 according to Table 1 on page 11 and Table 2 on page 13. In AM mode (bit 17 = 1), the AM mixer, the AM RF-AGC, the AM divider (prescaler) and the IF AM amplifier (input at pin 35) are activated. In FM mode (bit 17 = 0), the FM mixer, the FM RF-AGC and the IF FM amplifier (input at pin 36) are activated.

In AM or FM reception mode, bit 145 has to be set to the corresponding mode. The buffer amplifier input can be connected to pin 16 (with the external FM loop filter) by bit 145 = 0 and to pin 17 (with the external AM loopfilter) by bit 145 = 1.

The AM/FM function for the tuner part is controlled by bit 17 as given in Table 10.

**Table 10.** Tuner Operating Modes

AM/FM	B17
FM	0
AM	1

**PLL**

The PLL can switch off by bit 4 = 0. In this case, the N-Divider input signal is internally connected to ground.

**Table 11.** PLL Mode

PLL ON/OFF	B4
PLL OFF	0
PLL ON	1

**HCDEL**

There are two registers, HCDEL 1 (bits 20 and 21) and HCDEL 2 (bits 22 and 23), to control the delay time of the high-current charge pump and to deactivate them. bit 18 (HCDEL) determines whether register HCDEL 1 or 2 is used.

**Table 12.** High-current Charge Pump Delay Time Register

HCDEL 1/2 Select Mode	HCDEL (B18)
HCDEL 1	0
HCDEL 2	1



If bits 20 and 21 (HCDEL 1) or bits 22 and 23 (HDCEL 2) are both set to 0, then the high-current charge pump is deactivated. Otherwise, the delay time can be selected as described in Table 13.

**Table 13.** Delay Time of HCDEL Register

High-current Charge Pump	B21/B23	B20/B22
OFF	0	0
Delay time 5 ns	0	1
Delay time 10 ns	1	0
Delay time 15 ns	1	1

**2-bit Shift**

A divider 2-bit shift (bit 32 = 0) allows faster frequency changes by using a four times higher step frequency (e.g.,  $f_{PDF} = 50$  kHz instead of  $f_{PDF} = 12.5$  kHz). If the PLL is locked (after the frequency change), the normal step frequency (e.g.,  $f_{PDF} = 12.5$  kHz) will be active again.

If no 2-bit shift is used (bit 32 = 1), the frequency changes will be done with the normal step frequency (12.5 kHz).

In 2-bit shift mode the N- and R-divider are shifted by two bits to the right (this corresponds by a R- and N-divider division by 4). An important condition for this mode is that the R-divider has to be a multiple of 4.

**Table 14.** Manual and Lock Detect Shift Mode

2-bit Shift	B32
Dividers 2-bit shift	0
No shift	1

**SW1 (Pin 13)**

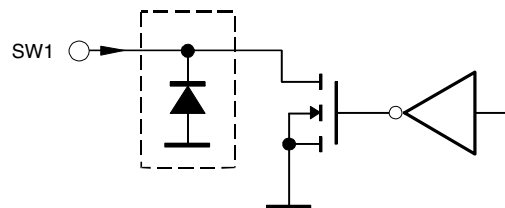
The switching output SW1 (pin 13) is controlled by bit 46 as given in Table 15.

**Table 15.** Switching Output

SW1	B46
High	0
Low	1

Note: SW1 is an open-drain output.

**Figure 5.** Internal Components at SW1



**SW2/AGC (Pin 11)**

The pin SW2/AGC works as a switching output (open drain, pin 11) or as an AM AGC-control pin to control the cascade stage of an external AM-preamplifier.

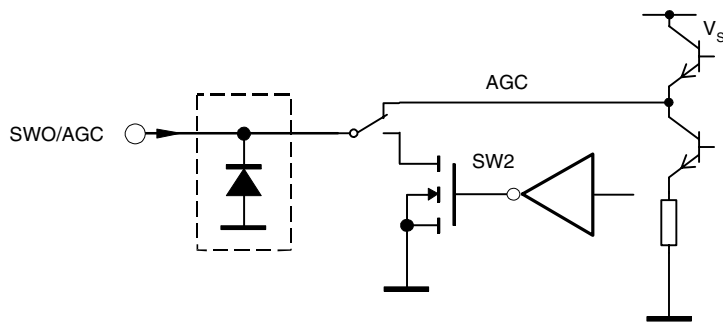
The SW2/AGC is controlled by bits 47 and 48 as given in Table 16.

**Table 16.** Switching Output 2/AGC Mode

SW2/AGC	B48	B47
AGC function	0	X
High	1	0
Low	1	1

Note: In AGC mode, the output voltage is 6 V down to 1 V.

**Figure 6.** Internal Components at SW2/AGC



**Test Mode**

A special test mode is implemented for final production test only. This mode is activated by setting bit 123 = 1. This mode is not intended to be used by customer application. For normal operation bit 123 has to be set to 0.

**Table 17.** Test Mode

Test Mode	B123
ON	1
OFF	0

**AM Mixer**

The AM mixer is used for up-conversion of the AM reception frequency to the IF frequency. Therefore, an AM prescaler is implemented to generate the necessary LO frequency from the VCO frequency.

The VCO divider can be controlled by the bits 140 to 143 as given in Table 18 on page 18. (The VCO divider is only active in AM mode)

**Table 18.** Divider Factor of the AM Prescaler

Divider AM Prescaler	B143	B142	B141	B140
Divide by 2	0	0	0	0
Divide by 3	0	0	0	1
Divide by 4	0	0	1	0
Divide by 5	0	0	1	1
Divide by 6	0	1	0	0
Divide by 7	0	1	0	1
Divide by 8	0	1	1	0
Divide by 9	0	1	1	1
Divide by 10	1	x	x	x

**FM Mixer**

In the FM mixer stage, the FM reception frequency is down-converted to the IF frequency. The VCO frequency is used as LO frequency for the mixer.

**PLL Loop Filter**

The PLL loop filter selection for AM and FM mode can be controlled by bit 145 as given in Table 19.

**Table 19.** Loop Filter Operating Mode

PDAM/PDFM	B145
PDFM active	0
PDAM active	1

**Fractional Mode**

The activated fractional mode (bit 144 = 0) in connection with the direct shift (bit 32 = 0) allows fast frequency changes (with the help of the 2-bit shift) with a four times higher step frequency. After the frequency change, the normal step frequency is active again.

If the fractional mode is deactivated (bit 144 = 1) and direct shift mode is active, (bit 32 = 0) the VCO frequency is set to the next lower frequency which is many times the amount frequency of 4 times step frequency. This means that the 2 shifted bits of the active N-Divider are not used in this mode. The shift bits are interpreted as logic 0.

The fractional mode with direct shift mode deactivated (bit 32 = 1) allows normal frequency changes with a step frequency of 12.5 kHz.

**Table 20.** Fractional Mode

Fractional	B144
ON	0
OFF	1

**Spurious Suppression**

In fractional and direct shift mode the spurious suppression is able by SW wire and SW impulse.

**Table 21.** Spurious Suppression by SW Wire

SW Wire	B60
OFF	0
ON	1

**Table 22.** Spurious Suppression by Correction Current Charge Pump

SW Impulse	B61
OFF	0
ON	1

**Charge Pump (AMLF/FMLF)**

AMLF/FMLF is the current charge pump output of the PLL. The current can be controlled by setting the bits 62 and 63. The loop filter has to be designed correspondingly to the chosen pump current and the internal reference frequency.

During the frequency change, the high-current charge pump (bit 62) is active to enable fast frequency changes. After the frequency change, the current will be reduced to guarantee a high S/N ratio. The low-current charge pump (bit 63) is then active. The high current charge pump can also be switched off by setting the bits of the active HCDEL register to 0 (bit 20 and bit 21 [HCDEL 1] or bit 22 and bit 23 [HCDEL 2]).

The current of the high-current charge pump is controlled by bit 62 as given in Table 23.

**Table 23.** High-current Charge Pump

High-current Charge Pump	B62
1 mA	0
2 mA	1

The current of the low-current charge pump is controlled by bit 63 as given in Table 24.

**Table 24.** Low-current Charge Pump

Low Current Charge Pump	B63
50 $\mu$ A	0
100 $\mu$ A	1

**External Voltage at AMLF (Oscillator)**

The oscillator (pin 22) can be switched on/off by bit 65. It is possible to use the oscillator buffer as an input or as an output. At the AMLF (pin 17), an external tuning voltage can be applied (bit 65 = 0). If this is not done, the IC operates in standard mode (bit 65 = 1).

The oscillator, oscillator buffer and the AMLF are controlled by the bits 65 and 64 as given in Table 25 on page 20.

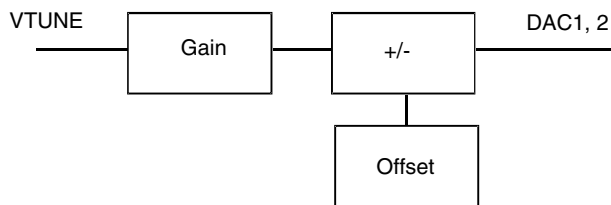
**Table 25.** Oscillator Operating Modes

Oscillator	Oscillator Buffer	AMLF (Pin 17)	B65	B64
OFF	INPUT	INPUT f. DAC's	0	X
ON	OFF	AMLF (standard)	1	0
ON	OUTPUT	AMLF (standard)	1	1

**DAC1, 2 (Pins 1, 2)**

For automatic tuner alignment, the DAC1 and DAC2 of the IC can be controlled by setting gain and offset values. The principle of the operation is shown in Figure 7. The gain is in the range of  $0.67 \times V_{TUNE}$  to  $2.09 \times V_{TUNE}$ . The offset range is +0.98 V to -0.98 V. For alignment, DAC1 and DAC2 are connected to the varicaps of the preselection filter and the IF filter. For alignment, offset and gain are set for having the best tuner tracking.

**Figure 7.** Block Diagram of DAC1, 2



The gain of DAC1 and DAC2 has a range of approximately  $0.67 \times V(TUNE)$  to  $2.09 \times V(TUNE)$ . This range is divided into 255 steps. One step is approximately  $(2.09 - 0.67)/255 = 0.00557 \times V(TUNE)$ . The gain of DAC1 can be controlled by the bits 38 to 45 ( $2^0$  to  $2^7$ ) and the gain of DAC2 can be controlled by the bits 66 to bit 73 ( $2^0$  to  $2^7$ ) as given in Table 26.

**Table 26.** Gain of DAC1, 2

Gain DAC1 Approximately	B45	B44	B43	B42	B41	B40	B39	B38	Decimal Gain
Gain DAC2 Approximately	B73	B72	B71	B70	B69	B68	B67	B66	Decimal Gain
$0.6728 \times V(TUNE)$	0	0	0	0	0	0	0	0	0
$0.6783 \times V(TUNE)$	0	0	0	0	0	0	0	1	1
$0.6838 \times V(TUNE)$	0	0	0	0	0	0	1	0	2
$0.6894 \times V(TUNE)$	0	0	0	0	0	0	1	1	3
...	...	...	...	...	...	...	...	...	...
$0.9959 \times V(TUNE)$	0	0	1	1	1	0	1	0	58
...	...	...	...	...	...	...	...	...	...
$2.0821 \times V(TUNE)$	1	1	1	1	1	1	0	1	253
$2.0877 \times V(TUNE)$	1	1	1	1	1	1	1	0	254
$2.0932 \times V(TUNE)$	1	1	1	1	1	1	1	1	255

Note: Offset = 64 (intermediate position)

The offset of DAC1 and DAC2 has a range of approximately +0.98 V to -0.99 V. This range is divided into 127 steps. One step is approximately  $1.97 \text{ V}/127 = 15.52 \text{ mV}$ . The offset of DAC1 can be controlled by the bits 24 to bit 30 ( $2^0$  to  $2^6$ ) and the offset gain of DAC2 can be controlled by the bits 52 to bit 58 ( $2^0$  to  $2^6$ ) as given in Table 27.

**Table 27.** Offset of DAC1, 2

Offset DAC1 Approximately	B30	B29	B28	B26	B26	B25	B24	Decimal Offset
Offset DAC2 Approximately	B58	B57	B56	B55	B54	B53	B52	Decimal Offset
0.9815 V	0	0	0	0	0	0	0	0
0.9659 V	0	0	0	0	0	0	1	1
0.9512 V	0	0	0	0	0	1	0	2
0.9353 V	0	0	0	0	0	1	1	3
...		...	...	...	...	...	...	...
-0.0120 V	1	0	0	0	0	0	0	64
...		...	...	...	...	...	...	...
-0.9576 V	1	1	1	1	1	0	1	125
-0.9733 V	1	1	1	1	1	1	0	126
-0.9890 V	1	1	1	1	1	1	1	127

Note: Gain = 58 (intermediate position)

**Permitted DAC Conditions**

The internal operation amplifier of the DACs should not operate with a too high internal difference voltage at their inputs. This means that a voltage difference higher than 0.5 V at the internal OP input should be avoided in operation mode. The respective output OP in the DAC is necessary for the addition and amplification of the tuning voltage (at pin 18) with the desired voltage gain and offset value.

If the tuning voltage reaches a high value e.g. 9 V, with a gain setting of 2 times VTUNE and an offset of +1 V, then the output OP of the DAC should reach the (calculated) voltage of 19 V. The supply voltage of e.g. 10 V, however, limits the output voltage (of the DAC) to 10 V maximum.

Due to the (limiting) supply voltage and the internal gain resistance ratio of 6, the missing 9 V (calculated voltage -  $V_S$ ) cause a voltage of 1.5 V at the OP input. This condition may not remain for a longer period of time.

As long as the calculated DAC output voltage value does not exceed the supply voltage value by more than 3 V, no damages should occur during the product's lifetime as the input voltage of the internal OP input voltage does not exceed 0.5 V.

$$VTUNE \times DAC \text{ gain factor} + DAC \text{ offset} < V_S + 3 \text{ V}$$

$$(9 \text{ V} \times 2 + 1 \text{ V}) < 10 \text{ V} + 3 \text{ V} \text{ (condition not allowed)}$$

This means when having a gain factor of 2 and an offset value of 1 V, the tuning voltage should not exceed 6 V.

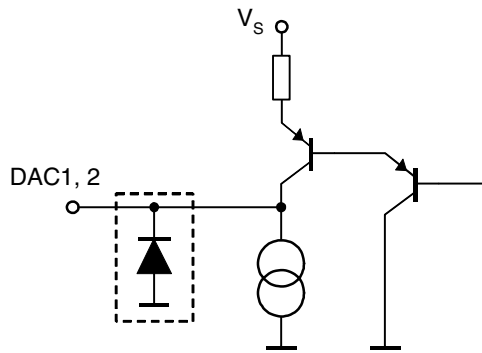
$$\text{Maximum tuning voltage} < (V_S + 3 \text{ V} - DAC \text{ offset})/DAC \text{ gain factor}$$

$$\text{e.g.: maximum tuning voltage} = (10 \text{ V} + 3 \text{ V} - 1 \text{ V})/2 = 6 \text{ V}$$

It is also possible to reduce the gain or the offset value instead of (or along with) the tuning voltage.



**Figure 8.** Internal Components of DAC1, 2

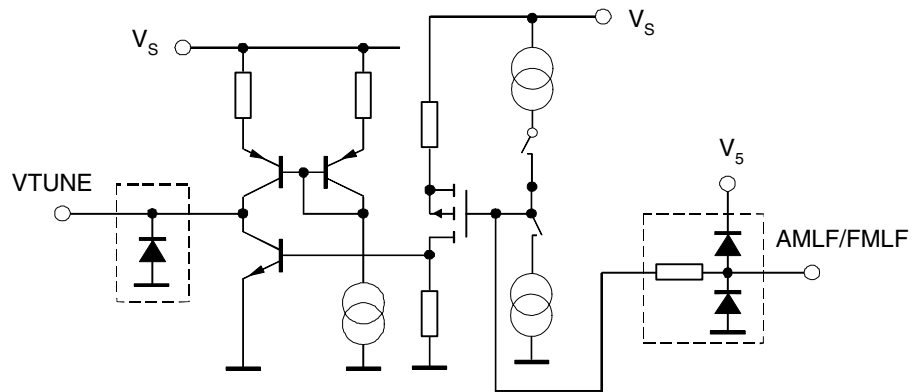


## Input/Output Interface Circuits

### VTUNE, AMLF and FMLF (Pins 16-18)

VTUNE is the loop amplifier output of the PLL. The bipolar output stage is a rail-to-rail amplifier.

**Figure 9.** Internal Components at VTUNE, AMLF and FMLF



### EN, DATA, CLK (Pins 23-25)

All functions can be controlled via a 3-wire bus consisting of Enable, Data and Clock. The bus is designed for microcontrollers which can operate with 3-V supply voltage. Details of the data transfer protocol can be found in the chapter “3-Wire Bus Description”.

**Figure 10.** Internal Components at Enable, Data and Clock

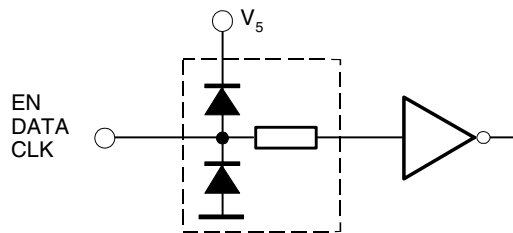
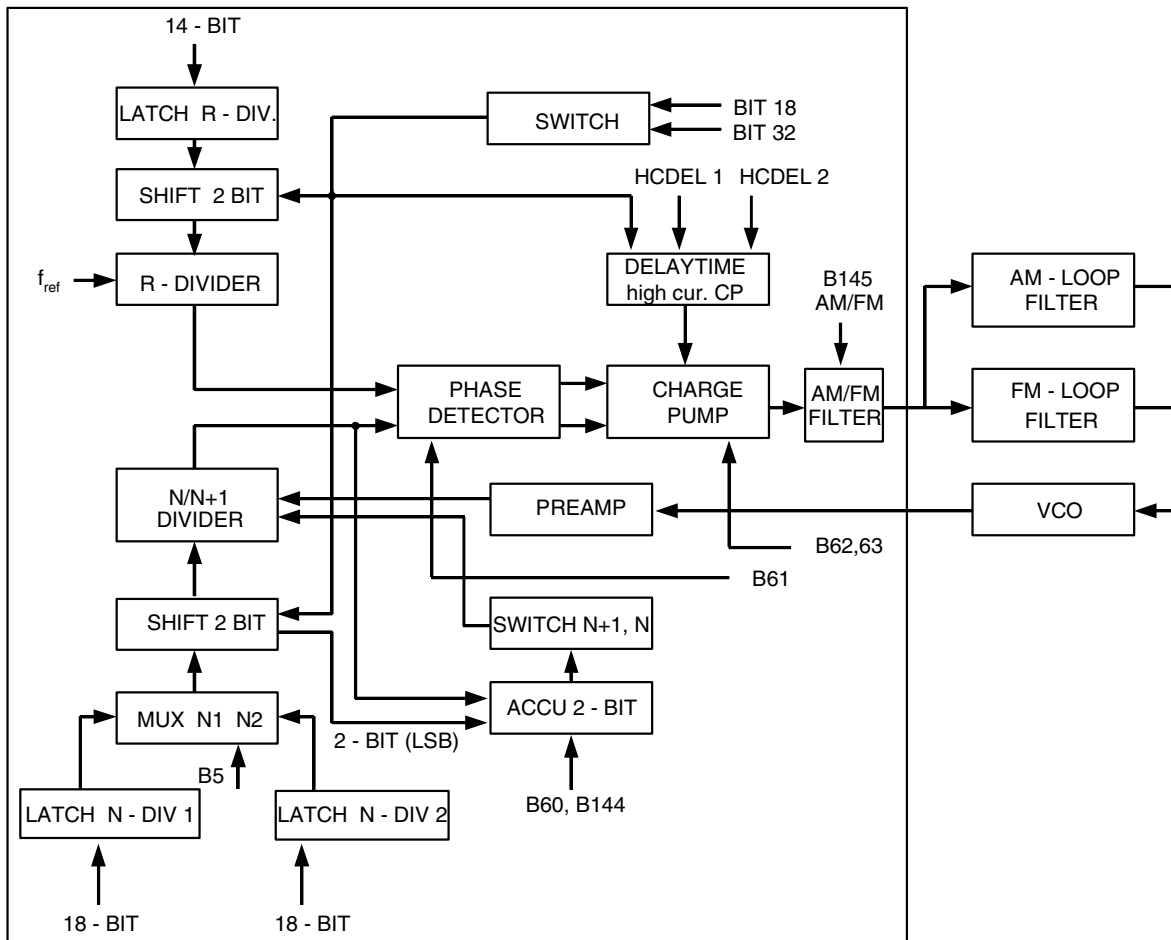


Figure 11. Block Diagram of the PLL Core



### PLL Core Block Diagram Description

The two N-dividers are stored in two 18-bit memory register (LATCH N-DIV) and the R-divider in a 14-bit memory register (LATCH R-DIV). One of the two N-dividers (N1 or N2) can be activated by bit 5 as active N-divider (with the 18-bit multiplexer MUX).

The (divider) 2-bit shift mode can be activated with bit 32 = 0. The N- and R-divider are shifted two bits to the right in this shift mode. Because the two lowest R-divider bits (bit 124 and bit 125) are 0 they do not have to be evaluated. In opposite to the R-divider the lowest two N-divider bits (bit 102 and bit 103 or bit 80 and bit 81, depends on the active N-divider) are special evaluated in the ACCU block if fractional mode is active (bit 144 = 0). The two lowest N- and R-divider bits are also called shift bits.

The SWITCH N+1, N block is steering the division through N or N+1 in the N-divider if fractional and 2-bit shift mode are active. There is only a division by N if the fractional mode is deactivated in 2-bit shift mode.

The output signals of the 18-bit N-divider and 14-bit R-divider will be compared in the PHASEDETECTOR which one activates the sink and source currents of the charge pumps (CP).



There are also two HCDEL registers (for the high current CP delay time) but only one of them is active. One of the HCDEL registers can be activated by bit 18. The delay time of the HCDEL register can be selected with bit 20 and bit 21 or bit 22 and bit 23). The current for the high CP (HCCP) can be set by bit 62 and the current for the low current CP (LCCP) by bit 63.

With bit 145 the AM- or FM-Loopfilter (pin) can be activated. It is also possible to use the AM-Loopfilter in FM mode (instead of the FM-Loopfilter) or the FM-Loopfilter in AM mode.

## High-speed Tuning

The fractional mode (bit 144 = 0) in connection with the direct shift mode (bit 32 = 0) allows very fast frequency changes with four times the step frequency ( $50 \text{ kHz} = 4 \times f_{\text{PDF}}$ ) at low frequency steps (e.g.,  $f_{\text{PDF}} = 12.5 \text{ kHz}$ ). In direct shift mode, the R- and the N-divider are shifted by 2 bits to the right (this corresponds to a R- and N-divider division by 4 or a step frequency multiplication by 4).

Due to the 2-bit shift, a faster tuning response time of approximately 1 ms instead of 3-4 ms for a tune over the whole FM band from 87.5 MHz to 108 MHz is possible with  $f_{\text{PDF}} = 12.5 \text{ kHz}$ .

If the FM receiving frequency is 103.2125 MHz (with e.g.  $f_{\text{PDF}} = 12.5 \text{ kHz}$  and  $f_{\text{IF}} = 10.7 \text{ MHz}$ ), an N-divider of 9113 and an R-divider of 12 are necessary when using a reference-frequency ( $f_{\text{ref}}$ ) of 150 kHz.

$$f_{\text{VCO}} = f_{\text{IF}} + f_{\text{rec}} = 10.7 \text{ MHz} + 103.2125 \text{ MHz} = 113.9125 \text{ MHz}$$

$$f_{\text{PDF}} = f_{\text{VCO}}/N = f_{\text{ref}}/R = 113.9125 \text{ MHz}/9113 = 150 \text{ kHz}/12 = 12.5 \text{ kHz}$$

An important condition for the use of the fractional mode is an R-divider with an integer value after the division by 4 (R-dividers have to be a multiple of 4).

After a 2-bit shift (divider division by 4), the R-divider is now 3 (instead of 12) and the N-divider is 2278.25 (instead of 9113). The new N-divider of 2278.25 is also called  $\frac{1}{4}$  fractional step because the modulo value of the N-divider is  $0.25 = \frac{1}{4}$ . In total, there are 4 different fractional 2-bit shift steps: full,  $\frac{1}{4}$ ,  $\frac{1}{2}$  and  $\frac{3}{4}$  step.

If the fractional mode is switched off (bit 144 = 1) during direct shift mode (bit 32 = 0), the modulo value of the N-divider will be ignored (the new N-divider is then 2278 instead of 2278.25). This means that the PLL locks on the next lower multiple frequency of  $4 \times f_{\text{PDF}}$  (in our case  $f_{\text{PDF}} = 12.5 \text{ kHz}$ ). The new VCO frequency ( $f_{\text{VCO}}$ ) is then 113.9 MHz (instead of 113.9125 MHz in fractional mode).

Also the PLL has additionally a special fractional logic which allows a good spurious suppression in the fractional and direct shift mode. Activating the wire switch (bit 60 = 1) and the correction charge pump (bit 60 = 1) the spurious suppression is active.

**Charge Pump Current Settings**

Bit 62 (0 = 1 mA; 1 = 2 mA) allows to adjust the high current, which is active during a frequency change (if the delay time of the active HCDEL register is not switched off). A high charge pump current allows faster frequency changes. After a frequency change, the current reduction is reduced (in locked mode) to the low current which is set by bit 63 (0 = 50 μA; 1 = 100 μA). A lower charge pump current guarantees a higher S/N ratio.

The high current charge pump can be switched off by the active HCDEL register bits. In this case, when HCDEL 1 is active and the bits 20 and 21 are 0 (HCDEL 1 delay time = off) or HCDEL 2 is active and the bits 22 and 23 are 0 (HCDEL 2 delay time = off), only the low current charge pump (current) is active in locked and in the frequency change mode.

**AM Prescaler (Divider) Settings**

The AM mixer is used for up-conversion of the AM reception frequency to the IF frequency. Therefore, an AM prescaler is implemented to generate the necessary LO from the VCO frequency. For the reception of the AM band, different prescaler (divider) settings are possible.

Table 28 lists the AM prescaler (divider) settings and the reception frequencies.

$$f_{VCO} = 98.2 \text{ MHz to } 124 \text{ MHz}$$

$$f_{IF} = 10.7 \text{ MHz}$$

$$f_{rec} = f_{VCO} - f_{IF}$$

$$f_{VCO} = \text{AM prescaler} \times (f_{rec} + f_{IF})$$

The following formula can also be useful by AM frequencies higher than 20 MHz:

$$f_{VCO} = \text{AM prescaler} \times (f_{rec} - f_{IF})$$

**Table 28.** AM Prescaler (Divider) Settings and the Reception Frequencies

Divider (AM Prescaler)	Minimum Reception Frequency [MHz]	Maximum Reception Frequency [MHz]
No divider	87.5	113.3
Divide by 2	38.4	51.3
Divide by 3	22.033	30.633
Divide by 4	13.85	20.3
Divide by 5	8.94	14.1
Divide by 6	5.667	9.967
Divide by 7	3.329	7.014
Divide by 8	1.575	4.8
Divide by 9	0.211	3.078
Divide by 10	0	1.7

Note: The AM Prescaler Divider Settings with  $f_{VCO}$  from 98.2 MHz to 124 MHz is only an example. The tuning range depends on the tuning diode and the inductor in the VCO circuit. The tank of the VCO should be designed for a maximum range at pin 18 (VTUNE) of 1.5 V to VSPLL - 1 V for a good S/N performance.