



Chipsmall Limited consists of a professional team with an average of over 10 year of expertise in the distribution of electronic components. Based in Hongkong, we have already established firm and mutual-benefit business relationships with customers from,Europe,America and south Asia,supplying obsolete and hard-to-find components to meet their specific needs.

With the principle of “Quality Parts,Customers Priority,Honest Operation,and Considerate Service”,our business mainly focus on the distribution of electronic components. Line cards we deal with include Microchip,ALPS,ROHM,Xilinx,Pulse,ON,Everlight and Freescale. Main products comprise IC,Modules,Potentiometer,IC Socket,Relay,Connector.Our parts cover such applications as commercial,industrial, and automotives areas.

We are looking forward to setting up business relationship with you and hope to provide you with the best service and solution. Let us make a better world for our industry!



Contact us

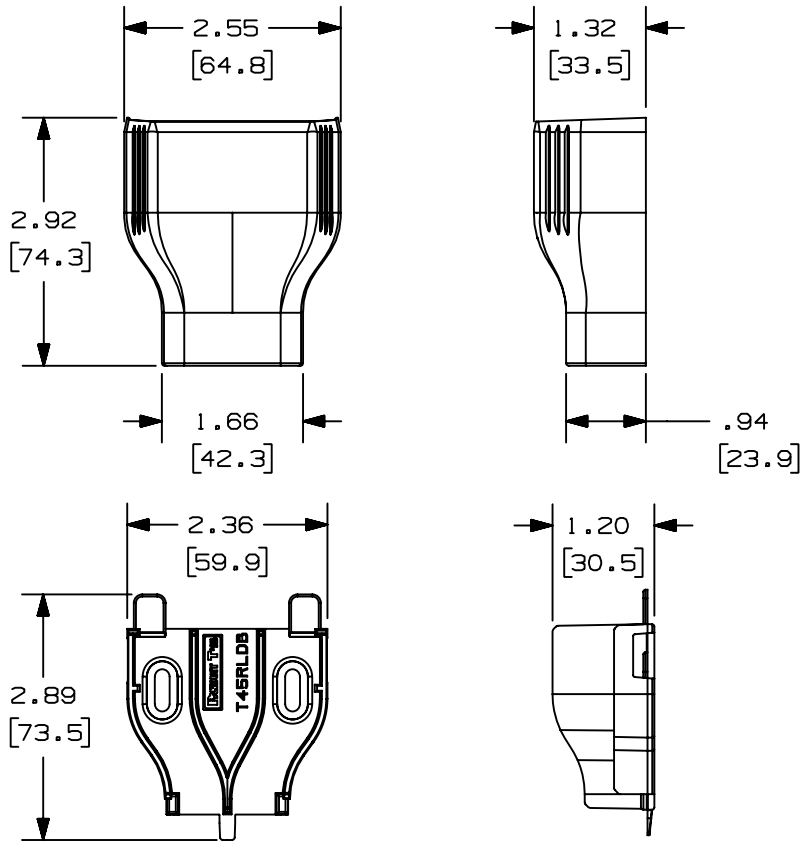
Tel: +86-755-8981 8866 Fax: +86-755-8427 6832

Email & Skype: info@chipsmall.com Web: www.chipsmall.com

Address: A1208, Overseas Decoration Building, #122 Zhenhua RD., Futian, Shenzhen, China



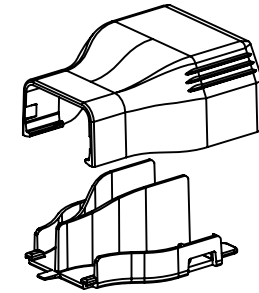
THIS COPY IS PROVIDED ON A RESTRICTED BASIS AND IS NOT TO BE USED IN ANY WAY DETRIMENTAL TO THE INTERESTS OF PANDUIT CORP.



PANDUIT P/N	WEIGHT
T45RLD	.75 LB/10 PCS 340 g/10 PCS

NOTES:

1. THIS FITTING IS INTENDED TO OVERLAP BOTH THE T45 RACEWAY AND LD RACEWAY.
2. THIS FITTING IS INTENDED TO REDUCE IN-LINE FROM T45 RACEWAY TO LD10, LDP10 OR LD2P10 RACEWAYS.
3. DIMENSIONS IN PARENTHESES ARE IN METRIC.
4. SEE CURRENT CATALOG FOR ADDITIONAL PART SUFFIXES TO INDICATE COLOR AND OR PACKAGE QUANTITY.



CAD FILENAME/LAYERS D36975EB_DC_T45RLD_00A.PRT

PANDUIT CORP. TINLEY PARK, ILLINOIS
 T-45 REDUCER TO LD2P10 FITTING (T45RLD)
 CUSTOMER DRAWING

UNLESS OTHERWISE SPECIFIED, DIMENSIONAL TOLERANCES ARE:
 (.X) ± (.XXX) ±
 (.XX) ±.03 (.8) ANGLES ±

UNLESS OTHERWISE SPECIFIED, ALL DIMENSIONS ARE GIVEN IN INCHES, THIRD ANGLE PROJECTION.

DRAWN BY RABO	MAT'L: PVC	SCALE NONE	DWG A
DATE 10-28-99		DRAWING NO. 36975-62	SIZE
CHECKED BY BKR			

REV	DATE	BY	CHK	DESCRIPTION	ECN	CHK	CUST	SUP
R	10-28-99	RABO	HIW	RELEASED TO PRODUCTION.	36975-62	HIW	HIW	