



Chipsmall Limited consists of a professional team with an average of over 10 year of expertise in the distribution of electronic components. Based in Hongkong, we have already established firm and mutual-benefit business relationships with customers from,Europe,America and south Asia,supplying obsolete and hard-to-find components to meet their specific needs.

With the principle of "Quality Parts,Customers Priority,Honest Operation,and Considerate Service",our business mainly focus on the distribution of electronic components. Line cards we deal with include Microchip,ALPS,ROHM,Xilinx,Pulse,ON,Everlight and Freescale. Main products comprise IC,Modules,Potentiometer,IC Socket,Relay,Connector.Our parts cover such applications as commercial,industrial, and automotives areas.

We are looking forward to setting up business relationship with you and hope to provide you with the best service and solution. Let us make a better world for our industry!



## Contact us

Tel: +86-755-8981 8866 Fax: +86-755-8427 6832

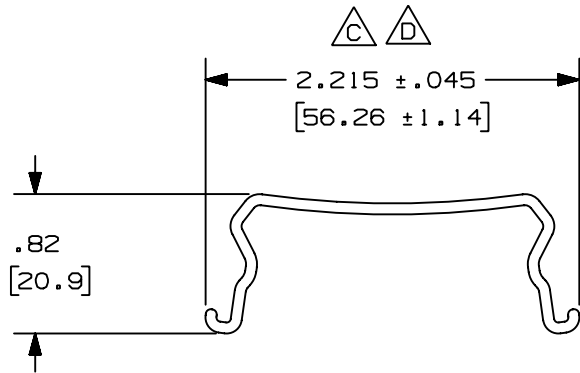
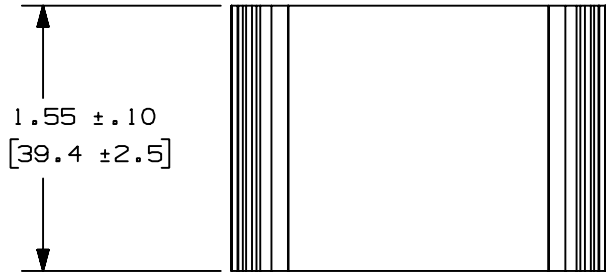
Email & Skype: info@chipsmall.com Web: www.chipsmall.com

Address: A1208, Overseas Decoration Building, #122 Zhenhua RD., Futian, Shenzhen, China



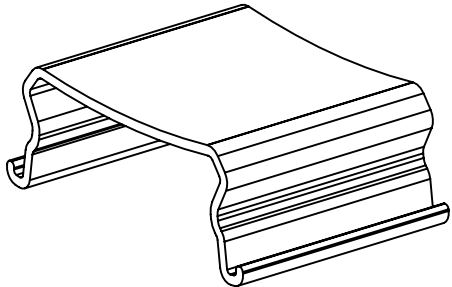
THIS COPY IS PROVIDED ON A RESTRICTED BASIS AND IS NOT TO BE USED IN ANY WAY DETRIMENTAL TO THE INTERESTS OF PANDUIT CORP.

PANDUIT P/N	WEIGHT
T45WR	.191 lbs [ 86.7 g ]



NOTES:

1. SEE CURRENT CATALOG FOR ADDITIONAL PART SUFFIXES TO INDICATE PACKAGE QUANTITY.
2. THIS PART SUPPORTS WIRE AND CABLE WEIGHT IN T45 RACEWAY WHEN MOUNTED IN ANY POSITION.
3. DIMENSIONS IN PARENTHESES ARE IN METRIC.



CAD FILENAME/LAYERS D36975DU\_DC\_T45WR\_01B.PRT

PANDUIT CORP. TINLEY PARK, ILLINOIS  
T45 WIRE RETAINER (T45WR)  
CUSTOMER DRAWING

REV	DATE	BY	CHK	DESCRIPTION	ECN	CHK	CUST	SUP
2	12-21-04	JBN	BKR	D. REVISED DIMENSION: 2.215 ± .045 WAS 2.17-2.26	36975-56	RGRO	RGRO	
-	-----	---	---	C. REVISED DIMENSION TO RANGE: 2.17-2.26 WAS 2.20	-----	----	----	
1	11-01-04	JBN	BKR	B. REVISED PART WEIGHT TO PER PC A. BRING IN NEW GEOMETRY	36975-56	RGRO	RGRO	
R	10-28-99	RABO	HIW	RELEASED TO PRODUCTION	36975-56	HIW	HIW	

UNLESS OTHERWISE SPECIFIED, DIMENSIONAL TOLERANCES ARE: (.X) ± (.XXX) ± (.XX) ±.03(.8) ANGLES ±		UNLESS OTHERWISE SPECIFIED, ALL DIMENSIONS ARE GIVEN IN INCHES, THIRD ANGLE PROJECTION.	
DRAWN BY RABO	MAT'L: PVC	SCALE NONE	
DATE 10-28-99		DRAWING NO. 36975-56	DWG A
CHECKED BY HIW			SIZE A