



Chipsmall Limited consists of a professional team with an average of over 10 year of expertise in the distribution of electronic components. Based in Hongkong, we have already established firm and mutual-benefit business relationships with customers from,Europe,America and south Asia,supplying obsolete and hard-to-find components to meet their specific needs.

With the principle of “Quality Parts,Customers Priority,Honest Operation,and Considerate Service”,our business mainly focus on the distribution of electronic components. Line cards we deal with include Microchip,ALPS,ROHM,Xilinx,Pulse,ON,Everlight and Freescale. Main products comprise IC,Modules,Potentiometer,IC Socket,Relay,Connector.Our parts cover such applications as commercial,industrial, and automotives areas.

We are looking forward to setting up business relationship with you and hope to provide you with the best service and solution. Let us make a better world for our industry!



## Contact us

Tel: +86-755-8981 8866 Fax: +86-755-8427 6832

Email & Skype: info@chipsmall.com Web: www.chipsmall.com

Address: A1208, Overseas Decoration Building, #122 Zhenhua RD., Futian, Shenzhen, China





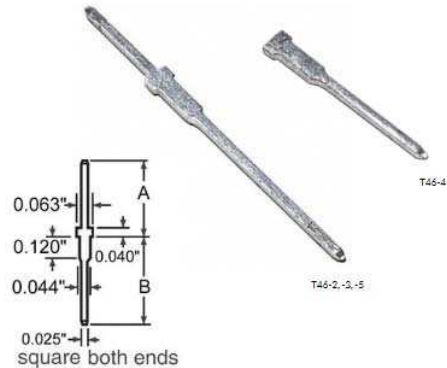
Wire-Wrap Terminals

**T46 Press-In terminals for 0.042" diameter holes**

- Wire-Wrap terminal single and double-tailed (accessible from both sides)
- 0.025" square posts
- Provides secure contact without soldering or staking
- Rectangular base with stepped shank presses into plain or plated-thru holes and is retained without etching or soldering
- Pointed ends slide neatly into all wrapping bits
- 260 Cartridge Brass

Tin Plated Part Number	Gold Plated Part Number	Qty/Pack	Dim. A	Dim. B	Hand Insertion Tool
T46-2-9/M	-	1000	0.36"	0.42"	P133A
T46-3-9/C	-	100	0.46"	0.60"	P133A
T46-3-9/M	T46-3A9/M	1000	0.46"	0.60"	P133A
T46-4-9/C	-	100	0.04"	0.42"	P133A
T46-4-9/M	T46-4A9/M	1000	0.04"	0.42"	P133A
T46-5-9/C	-	100	0.28"	0.60"	P133A
T46-5-9/M	-	1000	0.28"	0.60"	P133A

Tools sold separately

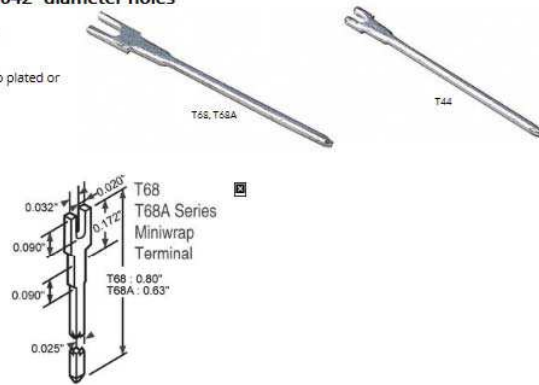


**T44, T68 Bifurcated miniwrap terminals for 0.042" diameter holes**

- Wire-Wrap tail with two-pronged receptacle for wires or leads
- 0.025" square posts
- Rectangular terminal with stepped shank presses securely into plated or unplated holes, requires no staking or soldering
- Bifurcated end holds soldered leads securely
- T44: maximum 0.021" diameter leads or 24 gage wires
- T68: maximum 0.032" diameter leads or 20 gage wires
- 260 Cartridge Brass

Tin Plated Part Number	Gold Plated Part Number	Qty/Pack	Hand Insertion Tool
T44/C	T44-1/C	100	A13
T44/M	T44-1/M	1000	A13
T68/C	T68-1/C	100	A13-1
T68/M	T68-1/M	1000	A13-1
T68A/M	-	1000	A13-1

Tools sold separately

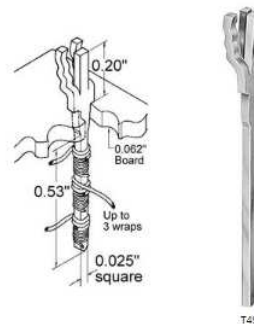


**T49 Trifurcated Klipwrap terminals for 0.042" diameter holes**

- Wire-wrap tail with three-pronged receptacle for wires or leads
- 0.025" square posts
- Wires or leads are crimped into receptacle on component side, secured for soldering
- Holds 0.018" - 0.025" diameter leads or 22 gage wires in lower slot, 0.032" - 0.040" diameter leads or 17 gage wires in upper slot
- Overall length - 0.650", 0.215" above 0.062" thick board with 0.373" below the board
- Phosphor Bronze

Tin Plated Part Number	Gold Plated Part Number	Qty/Pack	Hand Insertion Tool
T49/C	T49A/C	100	P156
T49/M	T49A/M	1000	P156

Tools sold separately



**T125, T126 Wire Wrap Terminals for 0.042" diameter holes**

- Pressfit wire-wrap terminals, ideal for connecting voltage and ground holes in Vectorbord plus™ and Pads & Planes™ patterns
- 2-level terminals: Part No. T125
- 3-level terminals: Part No. T126
- Phosphor Bronze

Tin Plated Part Number	Gold Plated Part Number	Qty/Pack	Dim. A	Dim. B	Hand Insertion Tool
T125/C	-	100	0.56"	0.53"	-
T126/C	-	100	0.70"	0.67"	-

Tools sold separately

