



Chipsmall Limited consists of a professional team with an average of over 10 year of expertise in the distribution of electronic components. Based in Hongkong, we have already established firm and mutual-benefit business relationships with customers from,Europe,America and south Asia,supplying obsolete and hard-to-find components to meet their specific needs.

With the principle of “Quality Parts,Customers Priority,Honest Operation,and Considerate Service”,our business mainly focus on the distribution of electronic components. Line cards we deal with include Microchip,ALPS,ROHM,Xilinx,Pulse,ON,Everlight and Freescale. Main products comprise IC,Modules,Potentiometer,IC Socket,Relay,Connector.Our parts cover such applications as commercial,industrial, and automotives areas.

We are looking forward to setting up business relationship with you and hope to provide you with the best service and solution. Let us make a better world for our industry!



Contact us

Tel: +86-755-8981 8866 Fax: +86-755-8427 6832

Email & Skype: info@chipsmall.com Web: www.chipsmall.com

Address: A1208, Overseas Decoration Building, #122 Zhenhua RD., Futian, Shenzhen, China

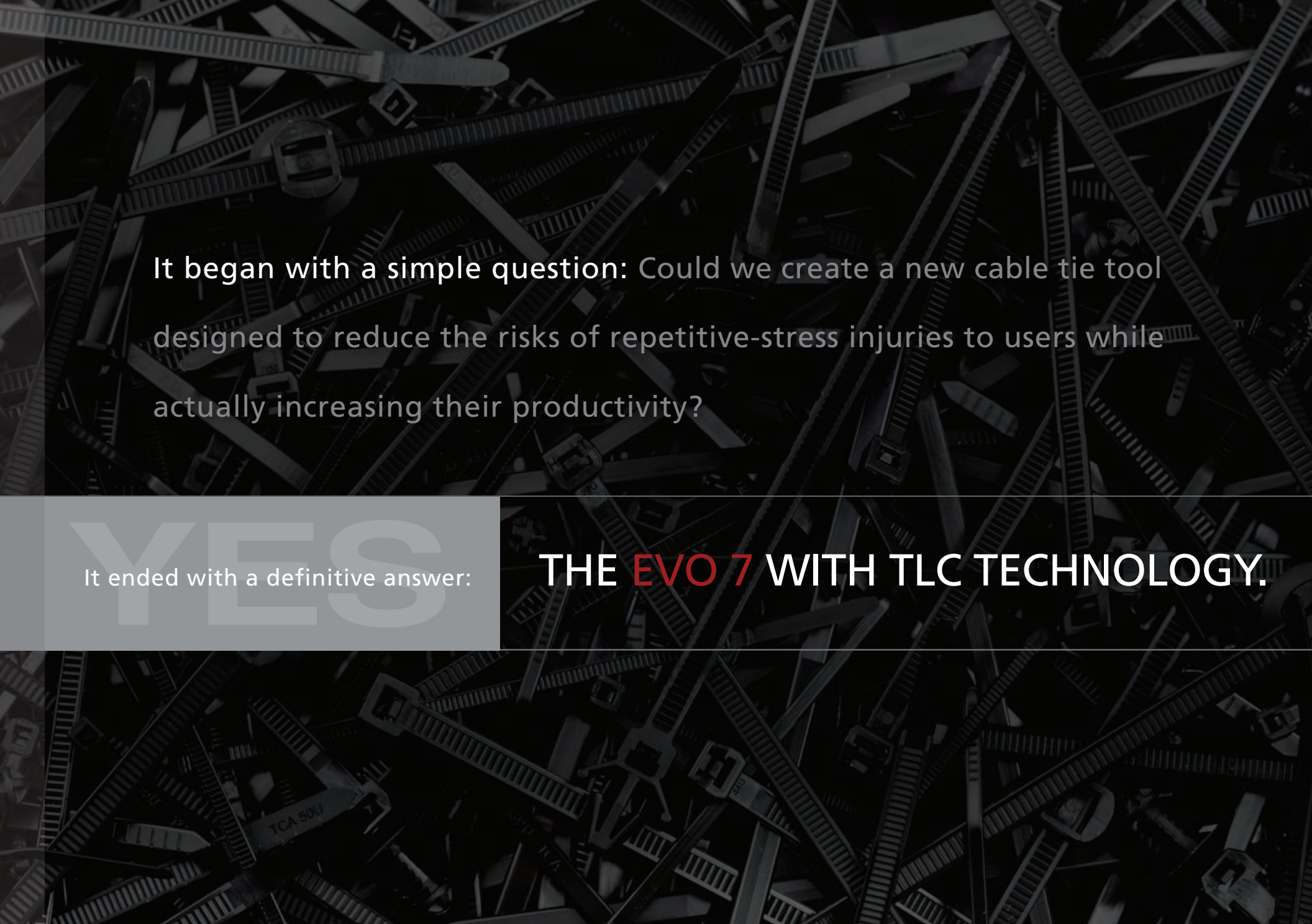




Cable Tie Application Tools

EVO 7

HellermannTyton



It began with a simple question: Could we create a new cable tie tool designed to reduce the risks of repetitive-stress injuries to users while actually increasing their productivity?

YES

It ended with a definitive answer:

THE EVO 7 WITH TLC TECHNOLOGY.

TENSION ▶ LOCK ▶ CUT



REVOLUTIONARY

Introducing the next evolution of cable tie tools, featuring ergonomically-enhanced comfort, safety and performance.

TLC TECHNOLOGY

The heart of EVO 7



No, in this case, TLC doesn't literally stand for "tender loving care". But you can be sure plenty went into its development. In fact, our engineers incorporated the advice and feedback of leading ergonomic experts to perfect a tool specifically designed to protect users from the risks of repetitive-stress injuries. All of this results in healthier workers and better installations – TLC at its best.

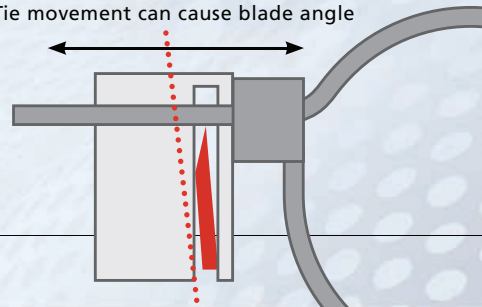
At the heart of the EVO 7 lies revolutionary, patent-pending Tension/Lock/Cut (TLC) technology that dramatically changes how cable ties are cut. The key is TLC's ability to lock each tie in place at the desired tension prior to cutting. Because the tension is fixed at the trigger when squeezing begins, only a minimum of hand force and a shorter range of motion is required to cut through each tie. *What's more, there's no jarring impact after the cut.* Also, because each tie is cut at a consistent level of tension with less movement, there's less wear on internal components, resulting in longer tool life.

STANDARD CUTTING TOOL

WITHOUT TLC TECHNOLOGY...

Continual dynamic tension allows potential for lateral movement throughout the cutting process. When the tie is cut, it snaps abruptly, jarring the users hand, resulting in a protruding, sharp edge.

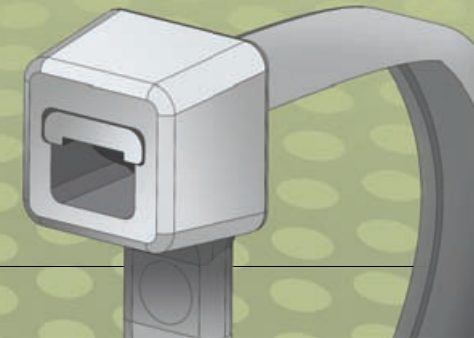
Tie movement can cause blade angle



EVO 7

WITH TLC TECHNOLOGY...

- No jarring impact
- Clean, flush cut
- Minimal hand force needed
- No overstraining of cable tie



T

TENSION

Want to select a specific level of tie tension for bundling? Simply rotate the tension knob to any of the easy-to-read, pre-set tension settings. Standard cable tie installation tools stretch the tie while cutting, causing the tie end to retract into the head, or leave a protruded edge. But with EVO 7, the tie is cut at precisely the tension you select for a clean, flush cut at the tie head – without overstressing the tie.



L

LOCK

With TLC Technology, the patent-pending locking mechanism detects when the desired tension is met, and locks the tie in place prior to cutting. At that moment, all force applied to the trigger is directed to cutting the tie. That means the trigger only needs to be pulled far enough to cut the tie, reducing the range of motion and subsequent strain on the hand and arm.



C

CUT

Once the tie is locked in place, the tool operator needs only to advance the trigger enough to cut the tie. Since there is no dynamic tension (stretching) on the cable tie, all energy is focused on driving the blade through the tie, resulting in a clear, flush cut, time after time – *all with no jarring motion to the hand or arm.*





Getting a grip on

ERGONOMICS

From the inside out, the EVO 7 was designed with user comfort and safety in mind. That's because the more you use a tool, the more you're at risk to suffer a repetitive-stress injury.

According to the U.S. Bureau of Labor Statistics, repetitive-stress injuries account for two-thirds of all occupational injuries and result in the longest absences from work – a median of 18 days missed! The resulting costs are astronomical.

No wonder our engineers made ergonomics their highest priority. Of course, their focus began with the development of TLC technology, which significantly reduces the amount of strain and impact on the user's muscles and tendons. But there's much more.

The EVO 7 is lightweight, with a handle designed to keep the wrist in an upright, neutral position. Contoured to fit the palm of the hand, the handle is crafted from soft, non-slip material with a built-in air cushion to reduce pressure points. The soft-touch trigger even features individual finger grips for greater comfort and control. Add it all up and the EVO 7 is one very handy tool, indeed.

TWO GRIP SPANS

Because hands come in different sizes, so does EVO 7. Choose from a standard grip span or short grip span, for smaller hands.



STANDARD

3.5" (90mm)



SHORT SPAN

3.1" (80mm)

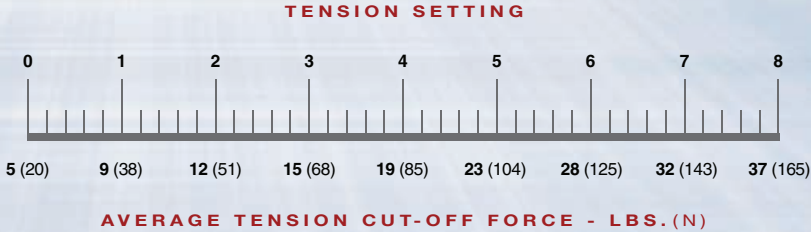
PERFORMANCE

that's a cut above the rest

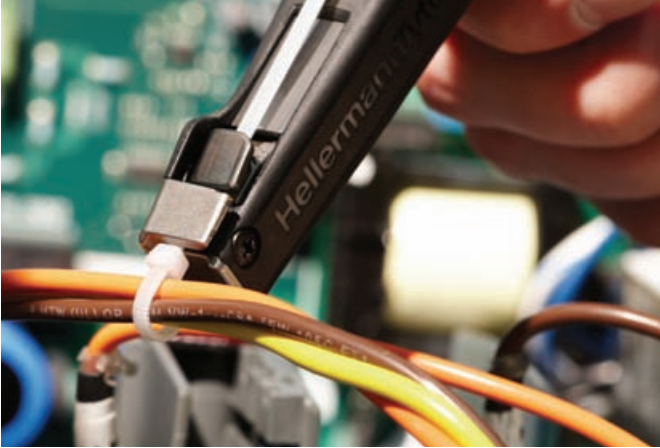
You'll be able to count on EVO 7's superior performance job after job. That's because the EVO 7 is designed for maximum durability. Its advanced composite housing is both impact and chemical-resistant and built to stand up to the most demanding industrial environments.

When used in combination with HellermannTyton's superior line of highly-engineered cable ties, the EVO 7 sets the new standard for safe and efficient cable tie installation. But then, would you expect anything less from the global leader in cable tie hand tool design for over three decades?

If consistency is the mark of greatness, the EVO 7 more than measures up to the standard. Thanks to patent-pending Tension/Lock/Cut (TLC) technology, the EVO 7 effortlessly cuts to the precise selected tension, tie after tie, job after job. What's more, every EVO 7 is individually calibrated at our factory, ensuring consistent performance from tool to tool, and over the life of each individual tool.



AVERAGE TENSION CUT-OFF FORCE - LBS. (N)



3.0

TENSION ADJUSTMENT SYSTEM

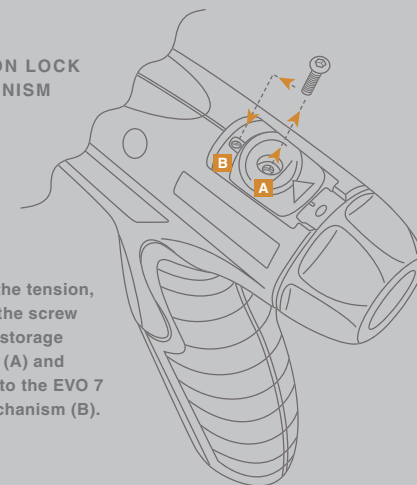
Finally, a system that lets you adjust tension without causing any.

The EVO 7 features the industry's widest tension range, with 33 precisely calibrated, easy-to-read, pre-set tension settings, allowing for the most precise and perfectly applied cable tie available. Simply rotate the tension knob until your desired setting clicks into place.

There's no guesswork, no fine tuning. The tension for each setting always remains the same. Want to lock in a desired tension? Just remove the screw from the thumb lock and place it in the provided lock hole. It's just that easy!



TENSION LOCK MECHANISM



To lock the tension, remove the screw from its storage position (A) and insert into the EVO 7 lock mechanism (B).

FEATURES

Easy Blade Replacement:

One-way blade installation makes on-site blade replacement a snap. There's no need to send the tool in, and you're up and running again in no time.



Front View of unit

Wider Tapered Tie Entry: Permits easy insertion of each tie, so you can move from tie to tie faster than ever.

Long Narrow Nose: Allows you to cut cable ties in the tightest of spaces quickly and easily.

Trigger: Made from soft-grip, non-slip material, the contoured full-length trigger incorporates individual finger grips to accommodate multiple hand sizes.



Impact-Resistant Housing: Made from durable, lightweight composite, the EVO 7 weighs 9.7 oz. (.275 kg), resists chemical contamination and is built to stand up to the toughest industrial environments.

Thumb Lock: To unlock the tension knob, slide the non-slip thumb lock forward, adjust to desired tension setting and release the thumb lock to lock in place.



Top View of unit

Tension Knob: Rotate the knob to any of 33 precise pre-set tension settings. These easy-to-read settings remain constant and consistent from tool to tool.

Contoured Ergonomically-Engineered Handle: Crafted from soft-grip, non-slip material, the grip features an integrated air cushion that conforms to your hand for maximum comfort.

Integrated Hanger Hook: Allows easy storage and accessibility.

TESTIMONIALS



SUPPLIER TO THE UNITED STATES DEPT. OF DEFENSE

“The difference is amazing. This tool is much easier to squeeze and very smooth. Everybody likes it. It’s good for morale and good for our people, long-term. The EVO 7 also cuts very flush. In our business, that’s important for quality and safety. We can’t leave any sharp edges. Our cuts have never been so clean.”

AL A. *President - AF Technologies*



LEADING TIER SUPPLIER TO THE AEROSPACE INDUSTRY

“It just fits my hand. Cutting is much smoother, too. None of that jerking motion like with other tools. Much easier on my hands and arms. And the cuts are clean—I don’t have to go back and trim at all. The work goes much easier and much faster. It’s the best tool I’ve ever tried.”

MICHELE B. *Installer - Major Aeronautics Manufacturer*



SUPPLIER TO THE POWER GENERATION INDUSTRY

“I can barely feel it when I cut the tie strap. It’s much easier on my wrist. Adjusting the tension is easy, too. You just twist the knob to the number you want and it clicks in. With other tools, you’re always guessing. If I were rating them, other tools would be a ‘5’. EVO 7 is a ‘10!’”

LUZ L. *Installer - Major Aeronautics Manufacturer*

“It used to be that at the end of a day of working on small harnesses, my hand would just ache. With EVO 7, that’s no longer an issue. I also like the numbered tension settings and the screw hole so you can lock in your setting. It’s the best tool I’ve ever used!”

MIKE T. *Installer - Wire Harness Assembler*



HellermannTyton Cable Ties **BETTER BY DESIGN**

Innovation. Performance. Durability. The qualities that went into creating the EVO 7 are the same ones that go into making HellermannTyton cable ties the finest in the industry.

When HellermannTyton's industry-leading cable ties are used in combination with the EVO 7, you can be confident that each tie has been precisely tensioned and cut, ensuring the longest and safest life in its application.

HellermannTyton cable ties are engineered to our exacting standards and manufactured from high-grade materials for long-lasting reliability and superior tensile strength.

Add in our commitment to work closely with you to meet the unique tie and tool needs of your operation, and we think you'll agree: HellermannTyton ties it all together.

ORDERING INFORMATION

Part No.	Type	Description
Cable Tie Installation Tools		
110-70083	EVO7	Standard hand span 3.5" (90mm) can be used with all variations of HellermannTyton's 18-80 lb cable ties
110-70084	EVO7SP	Short hand span 3.1" (80mm) can be used with all variations of HellermannTyton's 18-80 lb cable ties
Replacement Parts/Accessories		
110-70106	BLADEKT	Blade replacement kit for EV07 and EVO7SP. Contains: (1) Blade & (1) Nose piece Screw
110-70091	T8SD	T8 Star Driver for removal/insertion of tension lock out screw
110-70089	CALTOOL	Calibration Tool to be used for removal of cap at back of tension knob and for calibrating tool on site
110-99000	UC200	UC200 Tension Gauge for tensile read outs when calibrating tools on site
Most Popular Cable Ties		
T18R9M4	T18R	18 pound cable tie, 4' long, PA66, natural, 1000/bag
T18R0M4	T18R	18 pound cable tie, 4' long, PA66, black, 1000/bag
T30R9M4	T30R	30 pound cable tie, 6' long, PA66, natural, 1000/bag
T30R0M4	T30R	30 pound cable tie, 6' long, PA66, black, 1000/bag
T50R9M4	T50R	50 pound cable tie, 8' long, PA66, natural, 1000/bag
T50R0M4	T50R	50 pound cable tie, 8' long, PA66, black, 1000/bag

For our complete selection, go to www.hellermann.tyton.com • 1.800.537.1512 • corp@htamericas.com

TOOL WARRANTY

HellermannTyton offers a 90-day warranty with the purchase of any cable tie installation tool. An extended one year warranty is available by registering the tool online at www.hellermann.tyton.com/warranty after receipt of the tool.

HellermannTyton warrants our mechanical hand tools (EVO 7, EVO 7SP, MK7, MK7HT, MK9, MK9HT, MK9SST, MK9RC, MK9REF) to be free from defects in manufacturer workmanship and material under normal conditions of use and service for a period of 90 days from initial delivery to the purchaser. Purchaser shall notify HellermannTyton of any warranty claim within ten (10) business days after discovery, but not later than the expiration of the above warranty period or such claim shall be deemed waived.

The foregoing warranties and remedies are exclusive and in lieu of all other warranties and remedies whatsoever, expressed or implied, including, but not limited to, any warranties of merchantability or fitness for a particular purpose, which HellermannTyton expressly disclaims. All warranties are deemed void if tool is opened or tampered with.

GENERAL WARRANTY

HellermannTyton products are warranted to be free from defects in material and workmanship at the time sold by us; but our obligation under this warranty and that of the seller is limited to the replacement of the product, and neither we nor the seller are bound by any other warranty, expressed, implied or statutory.

Under no circumstances are we or the seller liable for any loss, damage or expenses or consequential damages of any kind arising out of the use or inability to use these products. All are sold with the understanding that the user will test them in actual use and determine their adaptability for the intended uses.

EXTENDED TOOL WARRANTY



HellermannTyton

www.hellermann.tyton.com

1.800.537.1512



HellermannTyton North American Corporate Headquarters

7930 N Faulkner Rd.
P.O. Box 245017
Milwaukee, WI 53224-9517
Phone: 414.355.1130, 1.800.537.1512
Fax: 414.355.7341, 1.800.848.9866
Email: corp@htamericas.com
TS16949:2002, ISO 9001:2000 and ISO 14001 certified

HellermannTyton Canada

205 Industrial Parkway North, Unit #4
Aurora, Ontario L4G 4C4 Canada
Phone: 1.800.661.2461
Fax: 1.800.390.3904
Email: sales@hellermanntyton.ca

HellermannTyton Mexico

Anillo Periférico Sur 7980 Edificio 2 - D
Parque Industrial Tecnológico II
Santa María Tequepexpan
Tlaquepaque, Jalisco, México 45601
Teléfono: 011.52.33.3133.9880
Fax: 011.52.33.3133.9861
Email: info@hellermanntyton.com.mx

MADE IN THE USA

LITPD246