



Chipsmall Limited consists of a professional team with an average of over 10 year of expertise in the distribution of electronic components. Based in Hongkong, we have already established firm and mutual-benefit business relationships with customers from,Europe,America and south Asia,supplying obsolete and hard-to-find components to meet their specific needs.

With the principle of “Quality Parts,Customers Priority,Honest Operation,and Considerate Service”,our business mainly focus on the distribution of electronic components. Line cards we deal with include Microchip,ALPS,ROHM,Xilinx,Pulse,ON,Everlight and Freescale. Main products comprise IC,Modules,Potentiometer,IC Socket,Relay,Connector.Our parts cover such applications as commercial,industrial, and automotives areas.

We are looking forward to setting up business relationship with you and hope to provide you with the best service and solution. Let us make a better world for our industry!



Contact us

Tel: +86-755-8981 8866 Fax: +86-755-8427 6832

Email & Skype: info@chipsmall.com Web: www.chipsmall.com

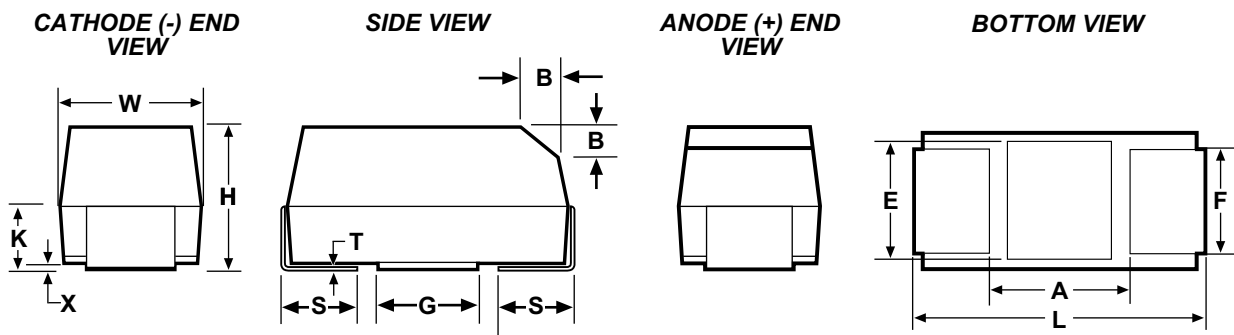
Address: A1208, Overseas Decoration Building, #122 Zhenhua RD., Futian, Shenzhen, China



FEATURES

- Highest CV in Standard EIA Size
- Extremely Low ESR
- 125°C Max, Temperature Capability
- Polymer Cathode Technology
- High Frequency Capacitance Retention
- Non-Ignition Failure Mode
- Capacitance: 330 to 1500 μ F
- Voltage: 3V to 10V
- Molded Case (pick-and-place precision)
- 100% Accelerated Steady State Aging
- 100% Surge Current Testing
- Utilizes Multiple Tantalum Anode Technology
- Volumetric Efficiency
- Use Up to 80% of Rated Voltage (20% Derating)
- Self-Healing Mechanism
- True SMT Capability

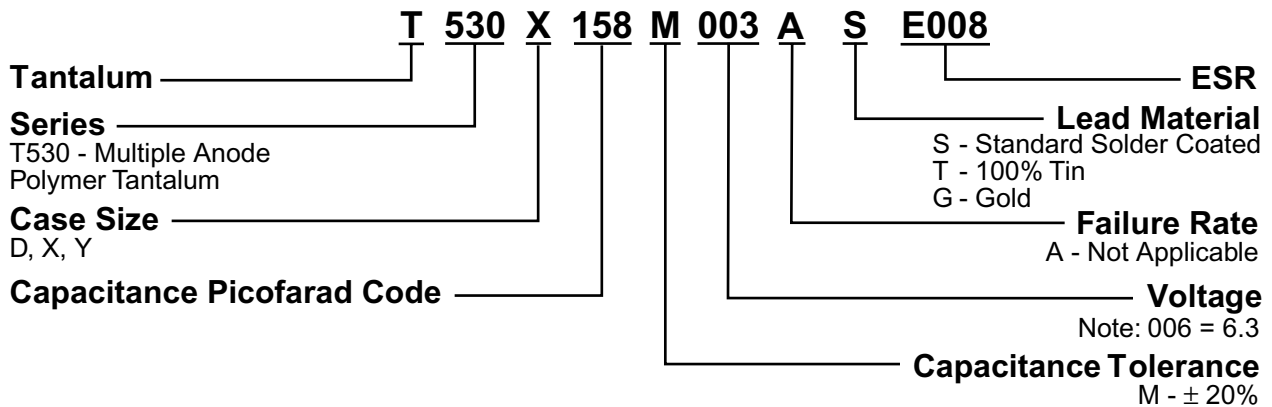
OUTLINE DRAWINGS



DIMENSIONS - MILLIMETERS (INCHES)

Case Size		L	W	H	K ± 0.20	F ± 0.1	S ± 0.3	X(Ref)	T(Ref)	A(Min)	G(ref)	E(ref)
KEMET	EIA											
D	7343-31	7.3 \pm 0.3	4.3 \pm 0.3	2.8 \pm 0.3	1.5	2.4	1.3	0.10 \pm 0.10	0.13	3.8	3.5	3.5
Y	7343-40	7.3 \pm 0.3	4.3 \pm 0.3	4.0 max	1.9	2.4	1.3	0.10 \pm 0.10	0.13	3.8	3.5	3.5
X	7343-43	7.3 \pm 0.3	4.3 \pm 0.3	4.0 \pm 0.3	2.3	2.4	1.3	0.10 \pm 0.10	0.13	3.8	3.5	3.5

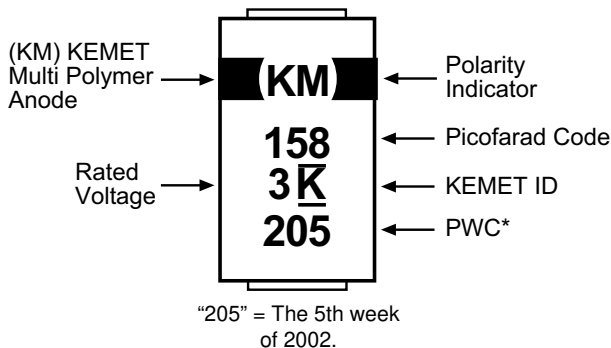
T530 ORDERING INFORMATION



T530 RATINGS & PART NUMBER REFERENCE

Capacitance μF	Case Size	KEMET Part Number	DCL V_R	DF % 120Hz	ESR $m\Omega$ @100 kHz 25°C Max	Ripple Current (Arms) @ 100 kHz			
						25°C	85°C	105°C	125°C
2.5 Volt Rating at 85°C (2 Volt Rating at 105°C)									
470.0	D/7343-31	T530D477M2R5ASE006	118 μA	8.0	6	6.5	5.9	5.9	2.6
470.0	D/7343-31	T530D477M2R5ASE010	117 μA	10.0	10	5.0	4.5	4.5	2.0
560.0	D/7343-31	T530D567M2R5ASE005	140 μA	8.0	5	7.1	6.4	6.4	2.9
680.0	D/7343-31	T530D687M2R5ASE010	170 μA	8.0	10	5.0	4.5	4.5	2.0
1000.0	X/7343-43	T530X108M2R5ASE006	250 μA	8.0	6	6.7	6.0	6.0	2.7
3 Volt Rating at 85°C (2.4 Volt Rating at 105°C)									
470.0	D/7343-31	T530D477M003ASE010	141 μA	8.0	10	5.0	4.5	4.5	2.0
680.0	D/7343-31	T530D687M003ASE010	204 μA	8.0	10	5.0	4.5	4.5	2.0
1000.0	X/7343-43	T530X108M003ASE010	300 μA	8.0	10	5.2	4.7	4.7	2.1
1500.0	X/7343-43	T530X158M003ASE008	450 μA	8.0	8	5.8	5.2	5.2	2.3
4 Volt Rating at 85°C (3.3 Volt Rating at 105°C)									
330.0	D/7343-31	T530D337M004ASE006	132 μA	8.0	6	6.5	5.9	5.9	2.6
470.0	D/7343-31	T530D477M004ASE010	188 μA	8.0	10	5.0	4.5	4.5	2.0
680.0	X/7343-43	T530X687M004ASE006	272 μA	8.0	6	6.7	6.0	6.0	2.7
680.0	X/7343-43	T530X687M004ASE010	272 μA	8.0	10	5.2	4.7	4.7	2.1
6 Volt Rating at 85°C (5 Volt Rating at 105°C)									
220.0	D/7343-31	T530D227M006ASE006	139 μA	8.0	6	6.5	5.9	5.9	2.6
330.0	D/7343-31	T530D337M006ASE010	208 μA	8.0	10	5.0	4.5	4.5	2.0
470.0	X/7343-43	T530X477M006ASE006	297 μA	8.0	6	6.7	6.0	6.0	2.7
470.0	X/7343-43	T530X477M006ASE010	296 μA	8.0	10	5.2	4.7	4.7	2.1
10 Volt Rating at 85°C (8 Volt Rating at 105°C)									
150.0	D/7343/31	T530D157M010ASE006	150 μA	8.0	6	6.5	5.9	5.9	2.6
220.0	D/7343/31	T530D227M010ASE010	220 μA	8.0	10	5.0	4.5	4.5	2.0
330.0	X/7343-43	T530X337M010ASE006	330 μA	8.0	6	6.7	6.0	6.0	2.7
330.0	X/7343-43	T530X337M010ASE010	330 μA	8.0	10	5.2	4.7	4.7	2.1

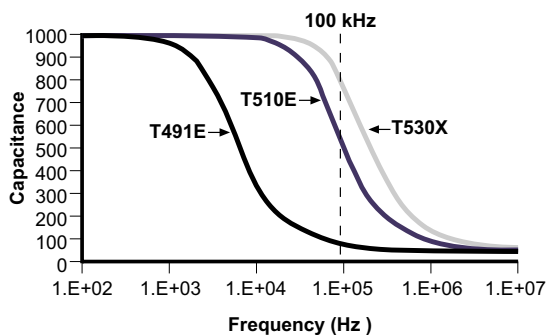
COMPONENT MARKING



T530 SERIES CONSTRUCTION



T530X/T510E/T491E 1,000 μF Capacitance vs. Frequency



T530X/T510E/T491E 1,000 μF Impedance & ESR vs. Frequency

