



Chipsmall Limited consists of a professional team with an average of over 10 year of expertise in the distribution of electronic components. Based in Hongkong, we have already established firm and mutual-benefit business relationships with customers from,Europe,America and south Asia,supplying obsolete and hard-to-find components to meet their specific needs.

With the principle of "Quality Parts,Customers Priority,Honest Operation,and Considerate Service",our business mainly focus on the distribution of electronic components. Line cards we deal with include Microchip,ALPS,ROHM,Xilinx,Pulse,ON,Everlight and Freescale. Main products comprise IC,Modules,Potentiometer,IC Socket,Relay,Connector.Our parts cover such applications as commercial,industrial, and automotives areas.

We are looking forward to setting up business relationship with you and hope to provide you with the best service and solution. Let us make a better world for our industry!



Contact us

Tel: +86-755-8981 8866 Fax: +86-755-8427 6832

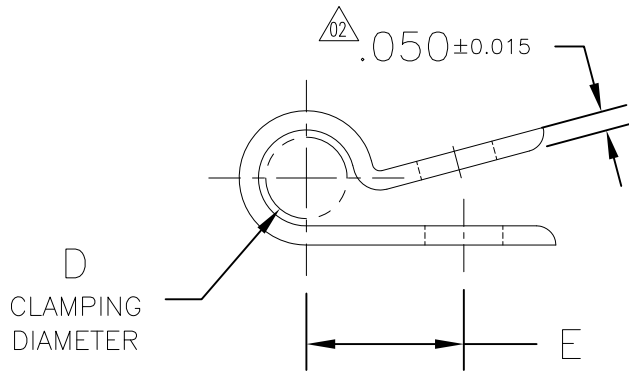
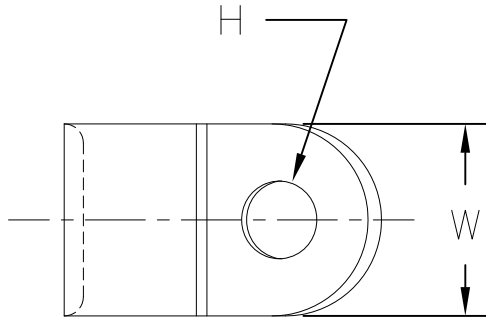
Email & Skype: info@chipsmall.com Web: www.chipsmall.com

Address: A1208, Overseas Decoration Building, #122 Zhenhua RD., Futian, Shenzhen, China



name	date	city, state

NOTES



PART NUMBER	D ±.015	W ±.015	H ±.015	E REF
T5D0125_	.125	.50	.203	.315
T5D0187_	.1875	.50	.203	.425
T5D0250_	.250	.50	.203	.410
T5D0312_	.3125	.50	.203	.500
T5D0375_	.375	.50	.203	.530
T5D0437_	.4375	.50	.203	.560
T5D0500_	.500	.50	.203	.595
T5D0562_	.5625	.50	.203	.606
T5D0625_	.625	.50	.203	.655
T5D0750_	.750	.50	.203	.780
T5D0875_	.875	.50	.203	.845
T5D1000_	1.00	.50	.203	.910
T5D1125_	1.125	.50	.203	.970
T5D1187_	1.1875	.50	.203	1.000
T5D1250_	1.25	.50	.203	1.060
T5D1375_	1.375	.50	.203	1.125
T5D1500_	1.50	.50	.203	1.190

PRODUCT CODE DESCRIPTION

T5D0312_ _____
 COLOR
 (CONSULT FACTORY FOR AVAILABLE COLORS)

REVISION	D level	02
	date	05/31/11
	by	AAC
	ECN #	011860
part level	-	

DIMENSIONS	.XXXX=	
	.XXX=	NOTED
	.XX=	
	.X=	
	∠=	
unless otherwise specified		
units	inches	

PART	number	SEE CHART	phase	PRODUCTION
	name	T5D SERIES T CLAMPS		
	material	02 NYLON 6/6		

DRAWING	FORMAT	AV	version	L	CAD	ACAD	scale	2X
	computer file number	CL\SER\2010500_02						
	drawn	A.A.M.	checked	K.A.C.	approved			
	date	01/12/01	05/31/11				sheet	1 of 1
	type	SERIES						number